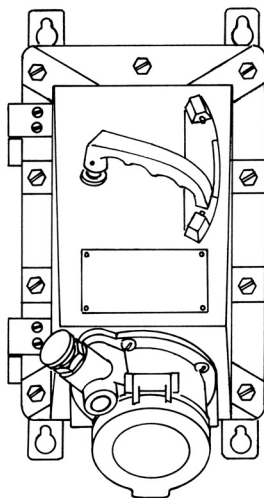


EBR Receptacle Enclosure: Explosion-Proof, Dust-Ignition-Proof.

Class I, Div. 1 and 2
Groups B, C, D
Class II, Div. 1 and 2
Groups F, G
Class III
Type 3R
NEMA 7BCD, 9F*G

Weatherproof Spring Cover—30, 60 and 100 Amps at 600V A.C. Max.
Interlocked Circuit Breaker Safety Construction. Grounding thru Extra Pole and Shell

**CAUTION: To prevent Ignition of hazardous atmospheres, do not use in Class II, Group F locations that contain electrically conductive dusts. Most coal dusts are not electrically conductive.*



1-1/2" threaded conduit openings- one in top and two in bottom

I. TO DISASSEMBLE RECEPTACLE INTERIOR

1. Remove polarizing screw and washer.
2. Rotate terminal holder counter-clockwise.

II. TO CONNECT CONDUCTORS TO RECEPTACLE INTERIOR

1. Strip insulation from ends of individual conductors.
2. Loosen screws in pressure connectors and slide prepared ends of conductors into the connectors, observing proper polarity. Tighten screws.

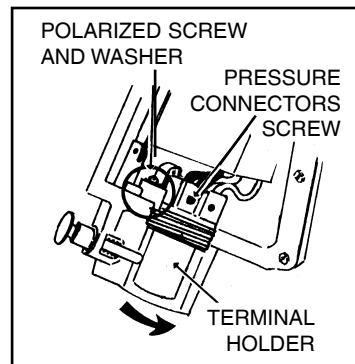
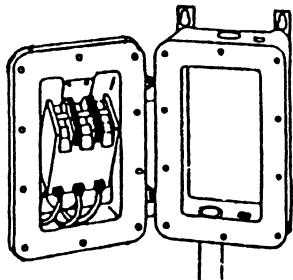
III. TO REASSEMBLE RECEPTACLE INTERIOR

1. Insert Terminal Holder and turn clockwise until front end is approximately 1/4" inside of casting surface. Recessed radial depression in Terminal Holder must be lined up with polarizing washer/locator. Replace screw through the ground strip.

IV. POLARITY AND PHASE ROTATION

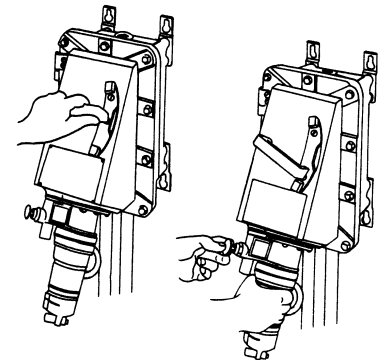
1. ACP, CPH Plugs and EBR Receptacle are polarized so that the plug will enter the receptacle only one way.

Solderless lugs are provided for line connections and receptacle is prewired to the load side of breaker. Cover-mounted components leave entire enclosure space free for pulling of line conductors and wiring.

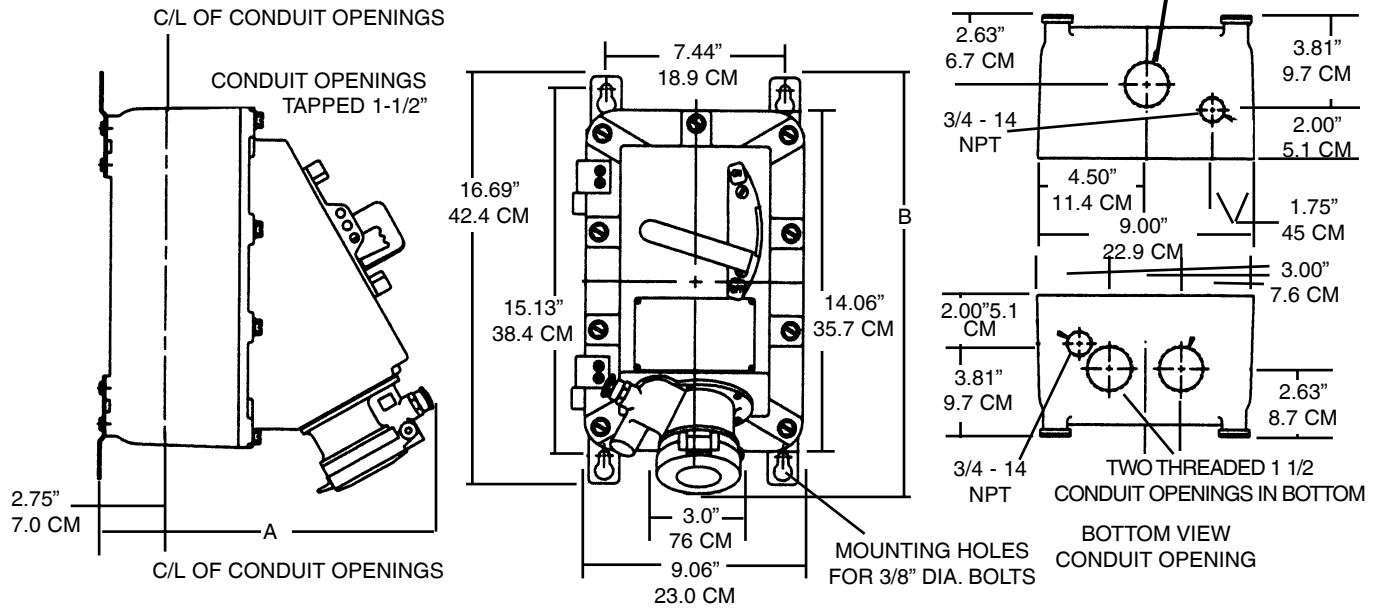


Plug is mechanically locked in receptacle when circuit breaker is ON. Design provides interlocked connect and disconnect operation as well as short circuit and thermal time delay overload protection. Breaker operating handle can be padlocked in either "ON" or "OFF" position and is trip-free.

Enclosure has 3/4" threaded openings top and bottom for installation of UL Listed drain and breather. Reducers are suitable for Class I, Groups B, C and D, Class II, Groups F and G when installed such that at least five full threads are engaged. Unused openings must be plugged with factory supplied plugs.

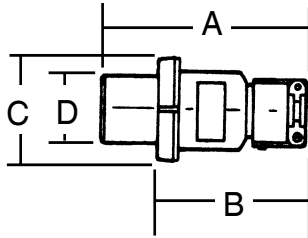


Dimensions of EBR Inter-Interlock Circuit Breaker Receptacles



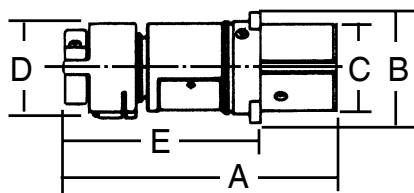
	30 Amp	60 Amp	100 Amp		30 Amp	60 Amp	100 Amp
A	14.25" (36.2cm)	14.25" (36.2cm)	14.69" (37.3cm)	B	16.13" (41.0cm)	17.69" (44.9cm)	18.38" (46.7cm)

Dimensions in Inches



ACP Plugs for EBR Receptacles

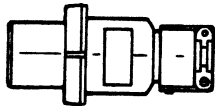
	No. Poles	A	B	C	D
30 Amp	2, 3, 4	6.00	4.75	3.13	1.86
60 Amp	2, 3	7.81	4.94	3.50	2.23
60 Amp	4	7.81	4.94	3.81	2.55
100 Amp	2, 3	10.50	6.63	4.00	2.47
100 Amp	4	10.50	6.63	4.25	2.72



CPH Plugs for EBR Receptacles

Max. Amps.	Wire/Pole	A	B	C	D	E
30	2W, 3P; 3W, 4P	6.13	2.38	1.86	1.81	4.44
60	2W, 3P	8.44	3.06	2.23	3.31	5.69
60	W, 4P	8.44	3.06	2.55	3.31	5.69

Receptacle enclosure is for use with Listed Appleton plugs suitable for hazardous locations as indicated below.



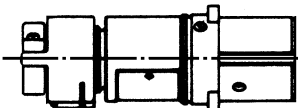
ACP PLUG

ACP Plugs for EBR Receptacles

Cable Dia. (In.)	30 Amp		60 Amp		100 Amp	
	2W, 3P	3W, 4P	2W, 3P	3W, 4P	2W, 3P	3W, 4P
.390 to 1.375	ACP3023BC	ACP3034BC	ACP6023BC	ACP6034BC	-----	-----
.875 to 1.906	-----	-----	-----	-----	ACP1023CD	ACP1034CD

CPH Plugs for EBR Receptacles

Cable Dia. (In.)	30 Amp		60 Amp	
	2W, 3P	3W, 4P	2W, 3P	3W, 4P
.500 to .875	CPH3023B	CPH3034B	-----	-----
.390 to 1.375	-----	-----	CPH6023BC	CPH6034BC



CPH PLUG