

U-Line™ ECCL/ECC Factory Sealed 20 Amp Cable Connectors

125 Vac, 20 Amp, 1 HP; 250 Vac, 20 Amp, 2HP. Dead-Front Safety Construction.

CEC:
 Class I, Division 1 and 2 Groups B, C, D
 Class II, Division, 1 and 2 Groups F, G
 Class III
 NEMA 3, 3R, 7BCD, 9FG

Applications

- Adapter sets for connecting portable devices having ECP U-Line™ Plugs to existing receptacles in non-hazardous areas. Completed adapter set consists of ECCL (or ECC), short flexible cord and plug to fit existing receptacle.

Features

- Gasketed spring cover snaps shut to protect against moisture and combustible dust.
- Gasket in receptacle throat "seals" around plug for protection against environment.
- Interior switch cylinder.
- O-ring at each end to seals combustible dust and moisture.
- 2 bushings to accommodate various cable sizes.

Standard Materials

- Housing: copperfree (4/10ths of 1% max.) aluminum
- O-ring: neoprene

Standard Finishes



- Epoxy powder coat

CEC Certifications and Compliances

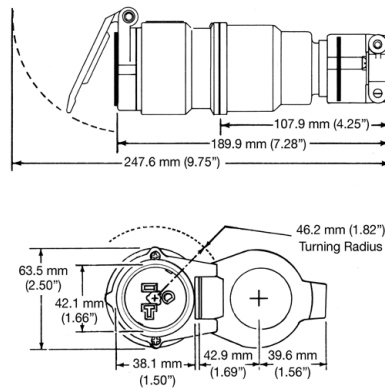
- CSA Standard: C22.2 No.25, C22.2 No. 30, C22.2 No. 159
- CSA Certified: 038644



20 Amp Cable Connectors

	Wire/Pole	Cable Diameter (Inches)	Amps	Catalog Number	
				125 Vac, 1 HP	250 Vac, 2 HP
	2W, 3P	0.538 to 0.639	20	ECCL2023	
	2W, 3P	0.538 to 0.639	20	ECC2023	ECC20232
	NEMA 4X Corrosion Resistance Kit ▼			ULINEREC4XKIT	

Dimensions in Millimeters (Inches)



▼ NEMA Type 4X when screw cover kit is used and screw cover is fully engaged.