

## Introduction

This installation guide provides installation and removal instructions. To receive a copy of the instruction manual, contact your local Fisher Sales Office or Sales Representative or view a copy at [www.FISHERregulators.com](http://www.FISHERregulators.com). For further information refer to:

Type 252 Filter Instruction Manual, form 5438, D102465X012.

## P.E.D. Categories

This product may be used as a safety accessory with pressure equipment in the following Pressure Equipment Directive 97/23/EC categories. It may also be used outside of the Pressure Equipment Directive using sound engineering practice (SEP) per table below.

PRODUCT SIZE	CATEGORIES	FLUID TYPE
DN 8 (1/4-inch)	SEP	1

## Specifications

### Inlet and Outlet Connection Size

DN 6 (1/4-inch) NPT

### Maximum Working Pressure<sup>(1)</sup>

Aluminum: 148 bar (2150 psig)

### Proof Test Pressure

All Pressure Retaining Components have been proof tested per Directive 97/23/EC - Annex 1, Section 7.4

### Filter Rating

20 microns

### Maximum Differential<sup>(1)</sup>

70 bar (100 psig)

### Temperature Capabilities<sup>(1)</sup>

-40 to 82°C (-40 to 180°F)

1. The pressure/temperature limits in this installation guide and any applicable standard or code limitation should not be exceeded.

## Installation

### WARNING

Personal injury, equipment damage, or leakage due to escaping fluid or bursting of pressure-containing parts may result if the filter is installed where its capabilities can be exceeded or where conditions exceed any ratings of the adjacent piping or piping connections. To avoid this, install a filter where:

- Service conditions are within unit capabilities.
- Service conditions are within applicable codes, regulations, or standards.

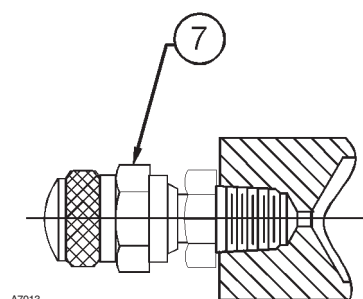
## Taking Out of Service (Shutdown)

### WARNING

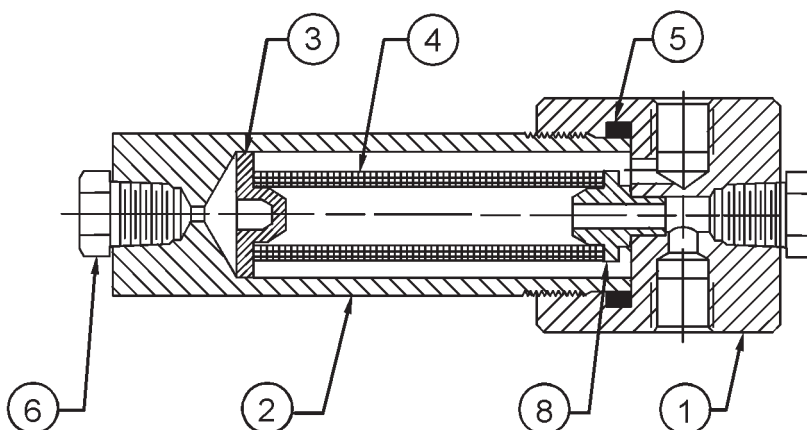
To avoid personal injury resulting from sudden release of pressure, isolate the regulator/filter from all pressure and cautiously release trapped pressure from the regulator/filter before attempting disassembly.

## Parts List

Key	Description
1	Filter Head Assembly
2	Filter Body
3	Lower Seat
4	Filter Cartridge
5	O-Ring
6	Pipe Plug
7	Drain Valve
8	Upper Seat



OPTIONAL DRAIN VALVE



STANDARD BODY

Figure 1. Type 252 Filter

# Type 252

---

©Fisher Controls International, Inc., 2002; All Rights Reserved

Fisher and Fisher Regulators are marks owned by Fisher Controls International, Inc. The Emerson logo is a trade mark and service mark of Emerson Electric Co. All other marks are the property of their respective owners.

*The contents of this publication are presented for informational purposes only, and while every effort has been made to ensure their accuracy, they are not to be construed as warranties or guarantees, express or implied, regarding the products or services described herein or their use or applicability. We reserve the right to modify or improve the designs or specifications of such products at any time without notice.*

*For information, contact Fisher Controls, International:*

Within USA (800) 588-5853 – Outside USA (972) 542-0132

France – (33) 23-733-4700

Singapore – (65) 770-8320

Mexico – (52) 57-28-0888

Printed in U.S.A.

[www.FISHERregulators.com](http://www.FISHERregulators.com)

