

Data sheet

Sheet No.: D85, Rev E
Date: February 2016

Hytork XL

Standard Drive & Bottom Mounting Details

XL26 - XL4581 Metric Actuators

Basic Bottom Mounting Details

Model	ISO	A	B ^{±0.25}	C ^{±0.25}	D	E ^{±0.25}
XL 26	F05	M6	9.0	50.0	M6	9.0
XL 71	F07	M8	12.0	70.0	M8	12.0
XL 131	F07	M8	12.0	70.0	M8	12.0
XL 186	F07	M8	12.0	70.0	M8	12.0
XL 221	F07	M8	12.0	70.0	M8	12.0

Model	F ^{±0.175}	G ^{±0.15}	H ^{±0.175}	ØJ	ØK
XL 26	35.35	90.0	35.35	27.8	34.97/34.94
XL 71	49.5	114.0	49.5	46.0	54.97/54.92
XL 131	49.5	114.0	49.5	46.0	54.97/54.92
XL 186	49.5	114.0	49.5	46.0	54.97/54.92
XL 221	49.5	114.0	49.5	46.0	54.97/54.92

Models shown with optional Centering Ring fitted

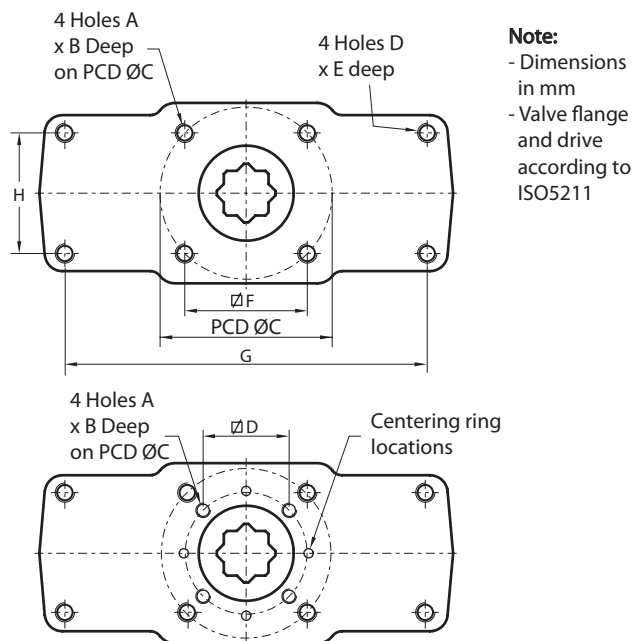
Additional Bottom Mounting Details

Model	ISO	A	B ^{±0.25}	C ^{±0.25}	D ^{±0.175}
XL 26	F03	M5	8.0	36.0	25.46
XL 71	F05	M6	9.0	50.0	35.35
XL 131	F05	M6	9.0	50.0	35.35

Models shown with optional Centering Ring removed to reveal additional ISO mounting holes.

Basic Bottom Mounting Details

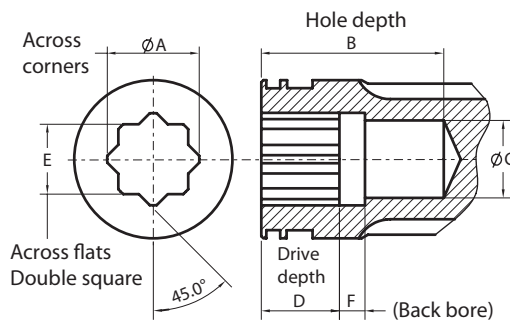
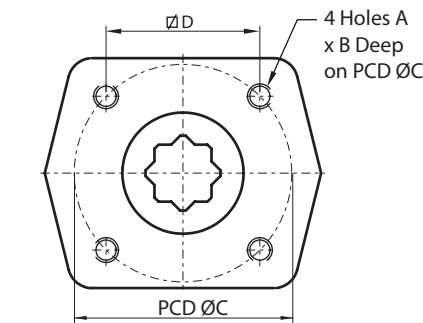
Model	ISO	A	B ^{±0.25}	C ^{±0.25}	D ^{±0.175}	ØE	ØF	G
XL 281	F07	M8	12.0	70.0	49.5	54.97/54.92	45.0	3.0
XL 426	F10	M10	15.0	102.0	72.1	69.97/69.92	65.0	3.0
XL 681	F10	M10	15.0	102.0	72.1	69.97/69.92	65.0	3.0
XL 1127	F12	M12	18.0	125.0	88.4	84.96/84.91	75.0	3.0
XL 1372	F12	M12	18.0	125.0	88.4	84.96/84.91	75.0	3.0
XL 2586	F16	M20	20.0	165.0	116.7	129.95/129.89	115.0	5.0
XL 4581	F16	M20	25.0	165.0	116.7	129.95/129.89	115.0	5.0



Note:
- Dimensions in mm
- Valve flange and drive according to ISO5211

Standard Drive Details

Model	ISO	A ^{±0.1}	B	C	D ^{±0.5}	E	F ^{±0.5}
XL 26	F05	18.1	28.0	14.7	13.85	14.00/14.11	2.4
XL 71	F07	22.2	45.0	17.9	16.85	17.00/17.11	2.4
XL 131	F07	22.2	45.0	17.9	16.85	17.00/17.11	2.4
XL 186	F07	22.2	45.0	17.9	16.85	17.00/17.11	2.4
XL 221	F07	22.2	45.0	17.9	16.85	17.00/17.11	2.4
XL 281	F07	22.2	45.0	17.9	16.85	17.00/17.11	2.4
XL 426	F10	28.2	60.0	23.1	24.5	22.00/22.13	30.5
XL 681	F10	28.2	60.0	23.1	24.5	22.00/22.13	30.5
XL 1127	F12	36.2	72.0	28.4	29.5	27.00/27.13	25.5
XL 1372	F12	36.2	72.0	28.4	29.5	27.00/27.13	25.5
XL 2586	F16	60.2	100.0	48.5	48.5	46.00/46.16	35.5
XL 4581	F16	60.2	100.0	48.5	48.5	46.00/46.16	35.5



HYTORK

www.hytork.com

Copyright © Emerson Process Management. The information in this document is subject to change without notice.
Updated data sheets can be obtained from our web site www.hytork.com or from your nearest Valve Automation Center
USA: +1 813 630 2255 (fax 630 9449) UK: +44 191 5180020 (fax 5180032)

EMERSON
Process Management