

Data sheet

Sheet No.: D84, Rev F
Date: February 2016

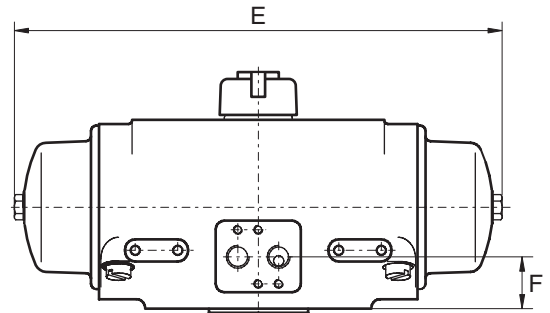
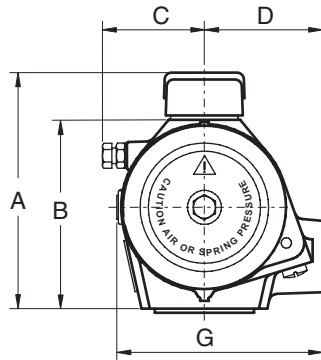
Hytorc XL

Envelope Dimensions

XL26 - XL4581 Metric Actuators

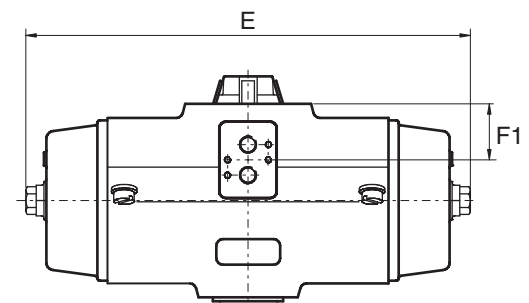
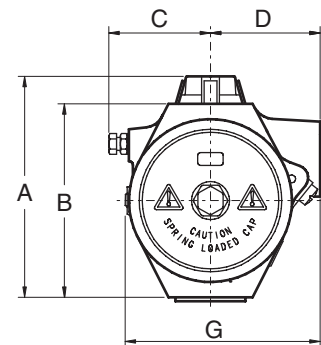
XL26 to XL221

Spring Return and
Double acting
Actuators



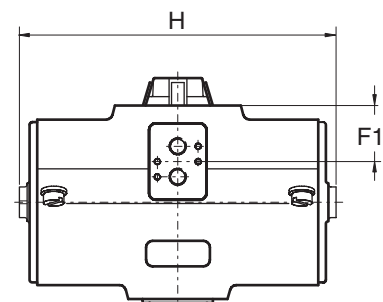
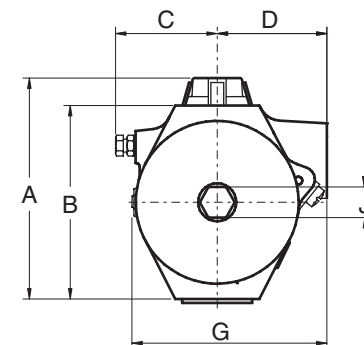
XL281 to XL4581

Spring Return Actuators



XL281 to XL4581

Double Acting Actuators



Dim. in mm.	Models											
	XL26	XL71	XL131	XL186	XL221	XL281	XL426	XL681	XL1127	XL1372	XL2586	XL4581
A	104.5	122.4	138.4	144	160	176	169	204	234	249	294	390
B	77	95	111	117	133	152	147	180	200	215	260	356
C	45	57	64	71	78	87	86	95	116	124	-/-	-/-
D	52	60	70	72	81	86	88	96	108	116	131	160
E	165	213	292	332	350	348	462	582	647	696	862	884
F	29	29	30	30	33	-/-	-/-	-/-	-/-	-/-	-/-	-/-
F1	-/-	-/-	-/-	-/-	-/-	44	42	52	56	50	49	76
G	86	103	122	126	142	153	157	175	199	216	254	321
H	-/-	-/-	-/-	-/-	-/-	253	309	342	396	407	476	515
J	-/-	-/-	-/-	-/-	-/-	24	36	36	36	36	36	36

HYTORK

www.Hytorc.com

Copyright © Emerson Process Management. The information in this document is subject to change without notice.
Updated data sheets can be obtained from our web site www.Hytorc.com or from your nearest Valve Automation Center
USA: +1 813 630 2255 (fax 630 9449) UK: +44 191 5180020 (fax 5180032)



EMERSON
Process Management