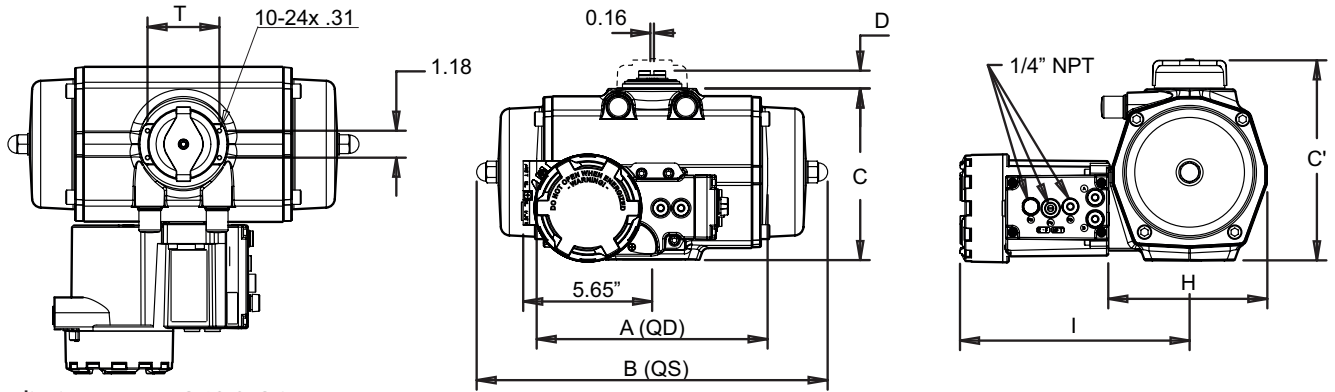
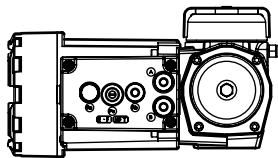


FieldQ Valve Actuator Dimensions

Imperial Actuators - ISO5211

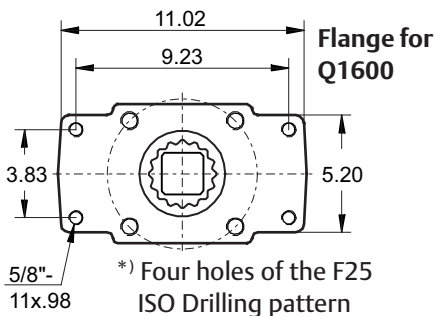
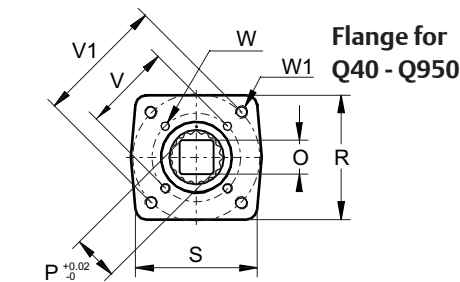
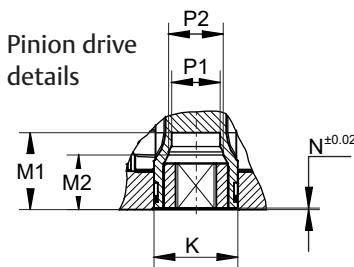


limit stops on Q40 & Q65



Note:

1. Dimensions are in inches.
2. The limit stop screws on the Q40 and Q65 are on the opposite side to those on the larger actuators.
3. Top flange according VDI/VDE 3845 (NAMUR)



Dim in inches	FieldQ actuator models								
	Q40	Q65	Q100	Q150	Q200	Q350	Q600	Q950	Q1600
A QD	7.09	7.83	8.70	10.00	11.14	12.01	15.24	16.69	20.31
B QS	8.03	9.80	10.51	12.20	13.62	15.24	16.38	18.09	22.34
C	4.09	4.59	5.55	5.91	6.34	7.52	9.65	10.87	13.27
C'	5.39	5.92	6.89	7.24	7.64	8.86	11.38	12.56	14.96
D	0.79	0.79	0.79	0.79	0.79	0.79	1.18	1.18	1.18
E	2.20	2.20	2.20	2.56	2.60	2.60	3.31	3.46	3.74
F	0.63	0.71	0.71	0.87	1.18	1.18	1.38	1.38	1.77
G	0.37	0.35	0.43	0.39	0.35	0.39	0.77	0.75	1.12
H	3.54	4.02	4.53	5.08	5.31	6.97	8.23	9.21	10.55
I	8.65	8.9	9.16	9.45	9.57	10.43	11.08	11.59	12.29
J	1.56	1.56	1.32	1.81	1.78	1.81	2.08	1.58	2.75
K	1.30	1.30	1.50	2.17	2.17	2.17	2.68	2.95	3.74
M1	1.36	1.36	1.36	1.97	1.97	1.97	2.05	2.52	3.23
M2	-	-	1.06	-	1.46	1.46	-	-	-
N	0.04	0.04	0.06	0.04	0.06	0.06	0.06	0.06	0.06
O max.	0.556	0.556	0.753	0.753	0.871	1.068	1.068	1.424	1.817
O min.	0.551	0.551	0.748	0.748	0.866	1.063	1.063	1.417	1.811
P	0.71	0.71	0.99	0.99	1.11	1.43	1.43	1.90	2.37
P1	0.71	0.71	0.91	1.12	1.26	1.26	1.44	1.91	2.38
P2	-	-	0.99	-	1.43	1.43	-	-	-
R	2.56	2.76	2.76	3.54	3.54	4.49	4.88	5.12	6.06
S	2.56	2.76	2.76	3.54	3.54	4.49	4.88	5.59	11.02
T	3.15	3.15	3.15	3.15	3.15	3.15	5.12	5.12	5.12
PCD	F05/F07	F05/F07	F05/F07	F07/F10	F07/F10	F07/F10	F10/F12	F10/F14	F16/F25*
V	1.969	1.969	1.969	2.756	2.756	2.756	4.016	4.016	6.496
V1	2.756	2.756	2.756	4.016	4.016	4.016	4.921	5.512	-
W	1/4"-20x.39	1/4"-20x.39	1/4"-20x.39	5/16"-18x.39	5/16"-18x.39	5/16"-18x.39	3/8"-16x.63	3/8"-16x.63	3/4"-10x1.14
W1	5/16"-18x.39	5/16"-18x.39	5/16"-18x.39	3/8"-16x.63	3/8"-16x.63	3/8"-16x.63	1/2"-13x.79	5/8"-11x.98	-

