

Siemens SIMATIC PCS 7 Interface

- Access diagnostic information from HART® devices connected to the Siemens SIMATIC PCS 7 system
- Take advantage of configuration, calibration, and documentation capabilities for devices
- Use SNAP-ON™ applications to gain additional troubleshooting and configuration capabilities



Connect to predictive diagnostics from HART devices with AMS Device Manager and the Siemens SIMATIC PCS 7 system.

Access Predictive Diagnostics through Your Control System

The Siemens SIMATIC PCS 7 Interface enables you to use AMS Suite: Intelligent Device Manager to configure, calibrate, and manage the predictive diagnostics of connected HART devices. You gain the full benefits of AMS Device Manager, including access to AMS ValveLink™ and other SNAP-ON applications.

The Siemens SIMATIC PCS 7 Interface is part of Emerson's continuing commitment to openness by developing applications that easily integrate with new and existing equipment from other manufacturers.

Integrate Asset Management with Siemens SIMATIC PCS 7 Control System

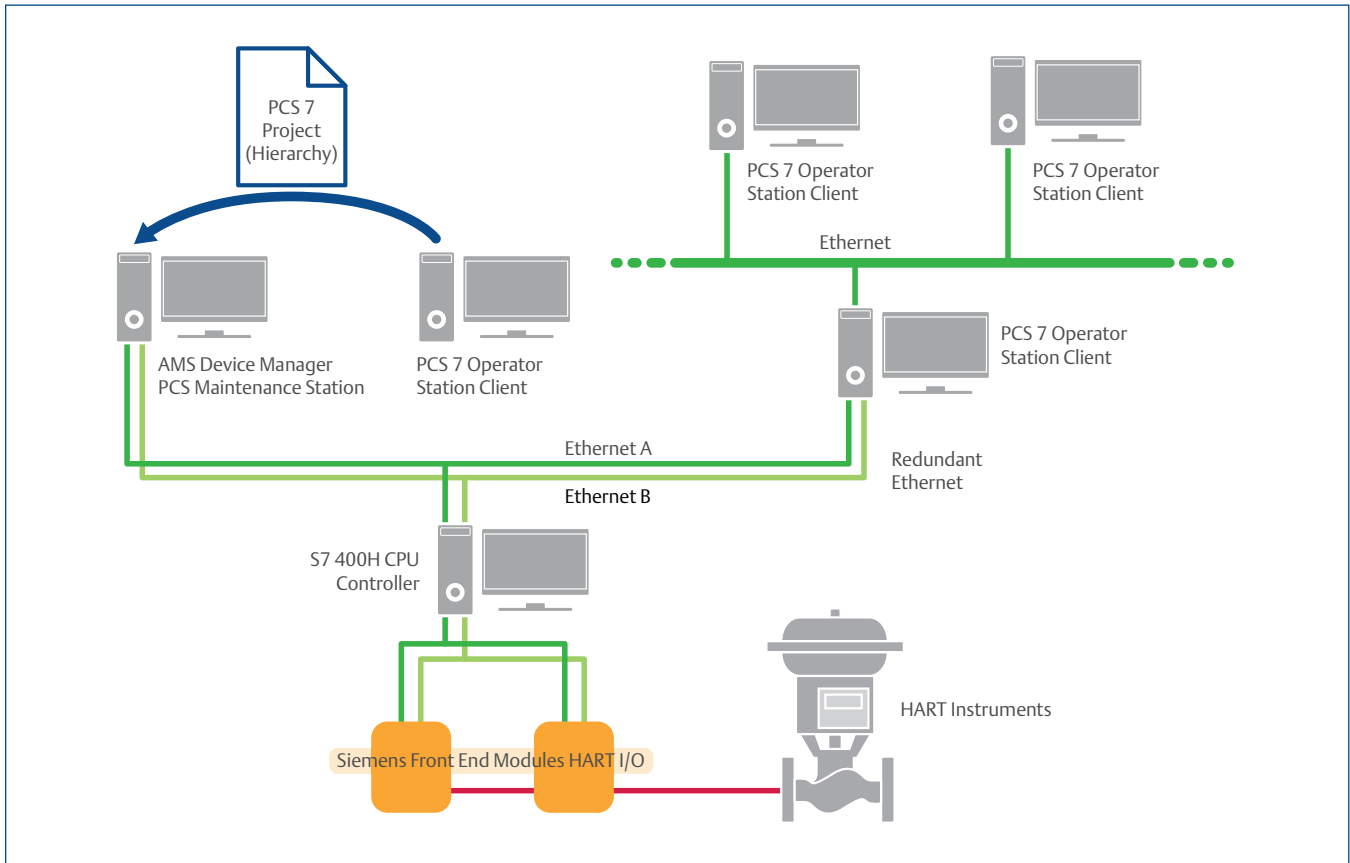
The Siemens SIMATIC PCS 7 Interface helps you access the powerful predictive diagnostics in your smart devices through easier integration of asset management and process control.

With AMS Device Manager, you can quickly check the health of any connected HART device. The Alert Monitor summary screen provides an overview of all device alerts and gives you the ability to access additional device information for more details.

AMS Device Manager makes configuration fast and easy. Use configuration management to change, store, compare, and transfer device configurations.

Streamline calibration by using AMS Device Manager to define device test schemes, schedule device calibrations, and manage calibration data.

Simplify documentation around device tasks with the Audit Trail in AMS Device Manager. You gain a powerful electronic historical record of events so you can quickly view past actions and solutions.



This example architecture shows how AMS Device Manager can be deployed with the Siemens SIMATIC PCS 7 system.

Interface Architecture

The Siemens SIMATIC PCS 7 Interface is available with AMS Device Manager v10.5 SP1 and higher and works with Siemens SIMATIC PCS 7 v7.0 SP1 or higher. There is no restriction on the HART devices that are supported through this interface.

Siemens' Process Device Manager (PDM) and DeviceCom interface are required on the Siemens SIMATIC PCS 7 system. DeviceCom must be accessible from the AMS Device Manager station.

AMS Suite

AMS Device Manager is part of a family of software applications for predictive diagnostics and performance monitoring on all major production assets, including mechanical and process equipment, instruments, and valves.

AMS Suite: Asset Performance Management provides a consolidated view of asset health and performance metrics from all AMS Suite applications and allows you to monitor scorecards and metrics that impact your business goals.

Services

Use Emerson's Asset Optimization Services experts to ensure you are effectively employing AMS Device Manager. Emerson experts can help you prioritize your assets so that you are using predictive diagnostics to full advantage.

For more information, contact your local Emerson Process Management sales representative.

Emerson Process Management
Reliability Solutions
12001 Technology Drive
Eden Prairie, MN 55344 USA
☎ +1 952 828 3633
☎ +1 952 828 3006
🌐 www.emersonprocess.com/ams

©2016, Emerson Process Management. All rights reserved.

The Emerson logo is a trademark and service mark of Emerson Electric Co. All other marks are the property of their respective owners.

The contents of this publication are presented for informational purposes only, and while every effort has been made to ensure their accuracy, they are not to be construed as warranties or guarantees, express or implied, regarding the products or services described herein or their use or applicability. All sales are governed by our terms and conditions, which are available on request. We reserve the right to modify or improve the designs or specifications of our products at any time without notice.

