

# Low Power Accelerometer

Specially designed, high performance, low power accelerometer for the CSI 9420 Wireless Vibration Transmitter enables up to 10 years operating life with a single SmartPower module.

## DYNAMIC PERFORMANCE

Sensitivity (±15%)	25 mV/g (2.5 mV/m/s <sup>2</sup> )
Measurement Range	±80 g (±784 m/s <sup>2</sup> )
Frequency Range (±3 dB)	1.60 to 10000 Hz (96 to 600000 cpm)
Mounted Resonant Frequency	25 kHz nominal
Broadband Resolution	3 mg rms (29 mm/s <sup>2</sup> ) (1 to 10 KHz)
Amplitude Linearity	±1% (0 based straight line method)
Transverse Sensitivity	≤7%

## ENVIRONMENTAL / SAFETY

Shock Limit	5000 g pk (49050 m/s <sup>2</sup> )
Temperature Range	-54 to 121°C (-65 to 250°F)
Sealing	Epoxy
Enclosure Rating	IP68 / Hermetic
Agency Ratings (all standard)	CE Exia IIC T4, AExia IIC T4 Exia IIC T4, 40°≤Ta≤121°C, II 1 G CI 1 Div 1 (Groups A, B, C, D), CLII Div 1 (Groups E, F, G), CLIII Div1 CI 1 Div 2 (Groups A, B, C, D), ExnL IIC T4, AExnA IIC T4 Ex nL IIC T4, 40°≤Ta≤121°C, II 3 G

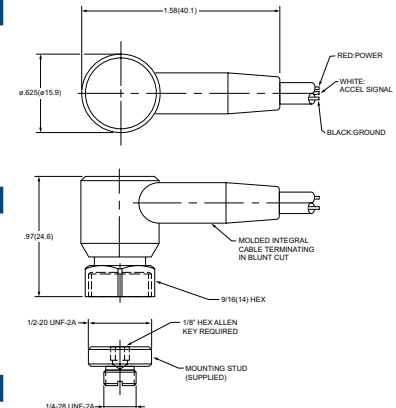


## ELECTRICAL

Settling Time	≤2 sec (within 1% of bias)
Discharge Time Constant	≥0.1 sec
Excitation Voltage	5 VDC
Output Bias	2.3 to 2.7 VDC
Output Impedance	<150 ohms
Case Isolation	>10 <sup>9</sup> ohms

## MECHANICAL

Weight	23 grams (0.81 oz) Sensor Only
Mounting Stud/Torque	1/4"-28 NPT / 2.7 to 6.8 Nm (2 to 5 lb ft)
Mounting Hex/Torque	9/16" Flats / 9.5 to 10.8 Nm (7 to 8 lb ft)
Sensor Element/Geometry	Ceramic/Shear
Case Material	Stainless Steel
Connector Type (Side)	Molded Integral Cable/3 Wire/Tinned Leads

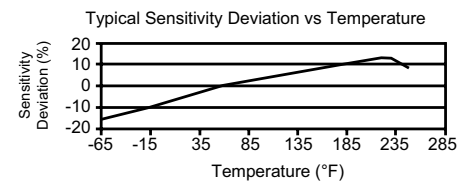


## SUPPLIED ACCESSORIES

- 3 Point Calibration
- Mounting Stud

## VERSIONS

1. A0394RI-1	Green Jacket, 9 meter Cable
2. A0394RI-4	Green Jacket, 30 meter Cable
3. A0394RA	Armored, Green Jacket, 3 meter Cable
4. A0394RA-1	Armored, Green Jacket, 9 meter Cable
5. A0394RA-4	Armored 23 meter, Green Jacket, 30 meter Cable
6. A0394RAC	Armored, Teflon Coated, 3 meter Cable
7. A0394RAC-1	Armored, Teflon Coated, 9 meter Cable
8. A0394RAC-4	Armored 23 meter, Teflon Coated, 30 meter Cable



## Emerson Process Management

### Asset Optimization

835 Innovation Drive  
Knoxville, TN 37932  
T (865) 675-2400  
F (865) 218-1401

©2013, Emerson Process Management.

The contents of this publication are presented for informational purposes only, and while every effort has been made to ensure their accuracy, they are not to be construed as warranties or guarantees, express or implied, regarding the products or services described herein or their use or applicability. All sales are governed by our terms and conditions, which are available on request. We reserve the right to modify or improve the designs or specifications of our products at any time without notice.

All rights reserved. Machinery Health is a mark of one of the Emerson Process Management group of companies. The Emerson logo is a trademark and service mark of Emerson Electric Co. All other marks are the property of their respective owners.

