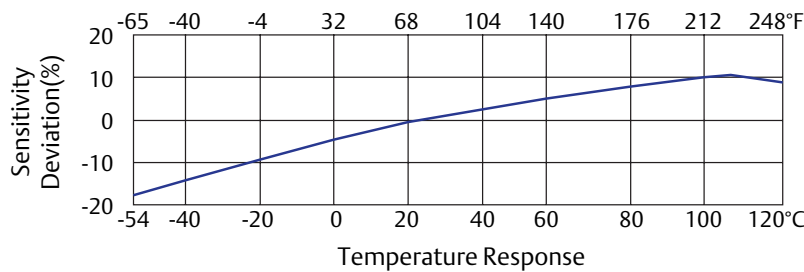
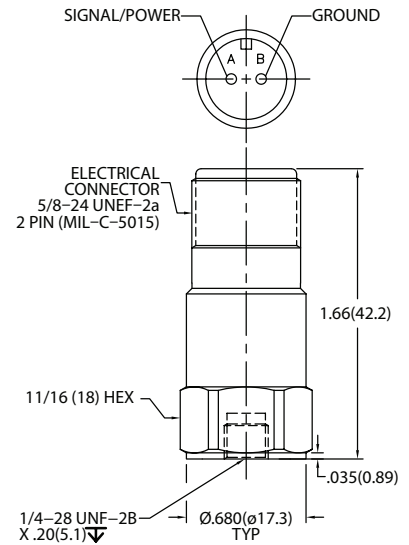


# Industrial Accelerometer

| Dynamic Performance                |  |
|------------------------------------|--|
| Sensitivity (±5%)                  | 100 mV/g (10.2 mV/m/s <sup>2</sup> )               |
| Measurement Range                  | ±50 g (±490 m/s <sup>2</sup> )                     |
| Frequency Range (±3 dB)            | 0.50 to 10,000 Hz (30 to 600,000 cpm)              |
| Mounted Resonant Frequency         | 25 kHz Nominal                                     |
| Amplitude Linearity                | ±1% (0 Based Straight Line Method)                 |
| Transverse Sensitivity             | ≤7%  |
| Environmental                      |  |
| Shock Limit                        | 5,000g pk (49,050 m/s <sup>2</sup> )               |
| Temperature Range                  | -54 to 121°C (-65 to 250°F)                        |
| Temperature Response               | See Graph  |
| Sealing                            | Welded Hermetic                                    |
| Electrical                         |  |
| Settling Time                      | ≤2 sec (Within 1% of Bias)                         |
| Discharge Time Constant            | ≥0.3 sec   |
| Excitation Voltage                 | 18 to 28 VDC                                       |
| Constant Current                   | 2 to 20 mA   |
| Output Impedance                   | <200 ohms  |
| Output Bias                        | 8 to 12 VDC  |
| Broadband Resolution (1 to 10 kHz) | 350 μg (3,434 μm/s <sup>2</sup> ) Electrical Noise |
| Case Isolation                     | >10 <sup>8</sup> ohms                              |



| Mechanical                 |                              |
|----------------------------|------------------------------|
| Weight                     | 51 grams (1.8 oz)            |
| Mounting Thread            | ¼-28 UNF-2B                  |
| Mounting Torque            | 2 to 5 lb ft (2.7 to 6.8 Nm) |
| Sensor Element / Geometry  | Ceramic / Shear              |
| Case Material              | Stainless Steel              |
| Connector Type (Top)       | MIL-C-5015, 2 Pin            |
| Supplied Accessories       |                              |
| Multiple Point Calibration |                              |
| ¼-28 Mounting Stud         |                              |

**Emerson**  
**Reliability Solutions**  
 835 Innovation Drive  
 Knoxville, TN 37932  
 ☎ +1 865 675 2400  
 🌐 [www.emerson.com/ams](http://www.emerson.com/ams)

©2017, Emerson. All rights reserved.

The Emerson logo is a trademark and service mark of Emerson Electric Co. All other marks are the property of their respective owners.

The contents of this publication are presented for informational purposes only, and while every effort has been made to ensure their accuracy, they are not to be construed as warranties or guarantees, express or implied, regarding the products or services described herein or their use or applicability. All sales are governed by our terms and conditions, which are available on request. We reserve the right to modify or improve the designs or specifications of our products at any time without notice.