

High Temperature Industrial Accelerometer

Dynamic Performance

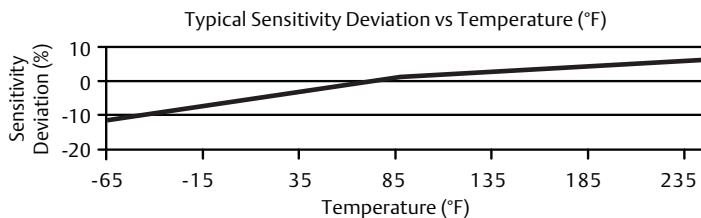
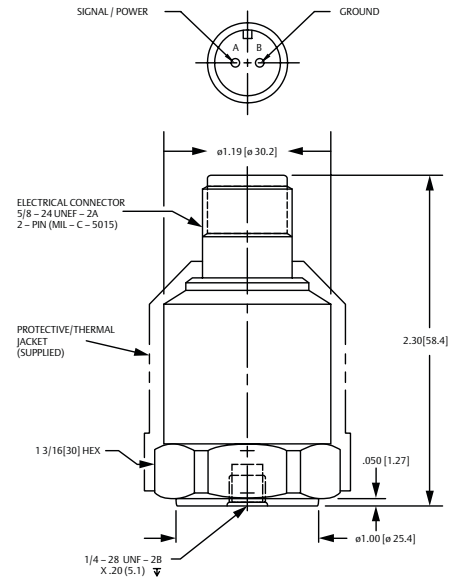
Sensitivity ($\pm 5\%$)	100 mV/g (10.2 mV/m/s ²)
Measurement Range	± 50 g (± 490 m/s ²)
Frequency Range:	($\pm 5\%$) 0.50 to 5,000 Hz (30 to 300,000 cpm)
	($\pm 10\%$) 0.37 to 7,000 Hz (22 to 420,000 cpm)
	(± 3 dB) 0.20 to 10,000 Hz (12 to 600,000 cpm)
Mounted Resonant Frequency	23,000 Hz Nominal
Amplitude Linearity	$\pm 1\%$ (0 Based Straight Line Method)
Transverse Sensitivity	$\leq 5\%$

Environmental

Shock Limit	5,000g pk (49,050 m/s ²)
Temperature Range	-54 to 163°C (-65 to 325°F)
Temperature Response	See Graph
Sealing	Welded Hermetic
Enclosure Rating	IP68

Electrical

Settling Time	≤ 5 sec (Within 1% Output Bias)
Discharge Time Constant	≥ 1.0 sec
Excitation Voltage / Current	18 to 28 VDC / 2 to 20 mA
Output Impedance	< 100 ohms
Output Bias	8 to 12 VDC
Broadband Resolution (1 to 10 KHz)	100 μ g (981 μ m/s ²) Electrical Noise
Case Isolation	$> 10^8$ ohms
Protection	RFI/ESD



Mechanical

Weight	150 grams (5.3 oz)
Mounting Thread	¼-28 UNF
Mounting Torque	2.7 to 6.8 Nm (2 to 5 lb ft)
Sensor Element / Geometry	Ceramic / Shear
Case Material	Stainless Steel
Connector Type (Top)	MIL-C-5015, 2 Pin

Supplied Accessories

Multiple Point Calibration
¼-28 Mounting Stud

Emerson Process Management

835 Innovation Drive
Knoxville, TN 37932
T (865) 675-2400
F (865) 218-1401

©2014, Emerson Process Management.

The contents of this publication are presented for informational purposes only, and while every effort has been made to ensure their accuracy, they are not to be construed as warranties or guarantees, express or implied, regarding the products or services described herein or their use or applicability. All sales are governed by our terms and conditions, which are available on request. We reserve the right to modify or improve the designs or specifications of our products at any time without notice.

All rights reserved. Machinery Health is a mark of one of the Emerson Process Management group of companies. The Emerson logo is a trademark and service mark of Emerson Electric Co. All other marks are the property of their respective owners.