

Industrial Accelerometer

Dynamic Performance

Sensitivity ($\pm 10\%$)	100 mV/g (10.2 mV/m/s ²)
Measurement Range	± 10 g (± 98 m/s ²)
Frequency Range:	2.0 to 10000 Hz (120 to 600,000 cpm)
($\pm 5\%$)	
(-3 dB)	0.80 Hz (48 cpm)
Mounted Resonant Frequency	18 kHz Nominal
Transverse Sensitivity	$\leq 5\%$

Environmental

Temperature Range	-55 to 115°C (-67 to 239°F)
Sealing/Rating	IP67
Agency Ratings	CE 0518
	ATEX II 1G, I M1
	IECEX SIR 07.0032X, Sira 07ATEX2128X
	Ga Ex ia IIC T4 (-20°C < Ta < 50°C)
	Ma Ex ia I (0°C < Ta < 50°C)

Electrical

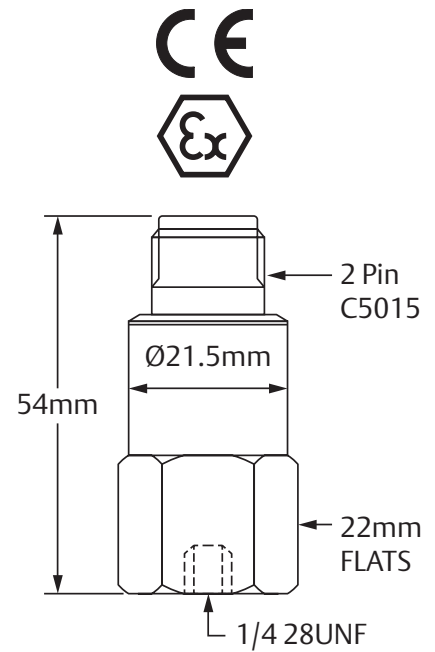
Excitation Voltage / Current	18 to 30 VDC / 0.5 to 8 mA
Output Bias	12 VDC Nominal
Broadband Resolution (1 to 10 kHz)	1000 μ g (9810 μ m/s ²) Electrical Noise
Grounding	Base Isolated

Mechanical

Weight	100 grams Nominal (3.5 oz)
Mounting Thread / Torque	1/4-28 UNF / 8 Nm (5.9 lb ft)
Case Material	Stainless Steel

Supplied Accessories

1/4-28 Mounting Stud



Emerson Process Management
Asset Optimization
835 Innovation Drive
Knoxville, TN 37932
T (865) 675-2400
F (865) 218-1401

©2014, Emerson Process Management.

The contents of this publication are presented for informational purposes only, and while every effort has been made to ensure their accuracy, they are not to be construed as warranties or guarantees, express or implied, regarding the products or services described herein or their use or applicability. All sales are governed by our terms and conditions, which are available on request. We reserve the right to modify or improve the designs or specifications of our products at any time without notice.

All rights reserved. Machinery Health is a mark of one of the Emerson Process Management group of companies. The Emerson logo is a trademark and service mark of Emerson Electric Co. All other marks are the property of their respective owners.