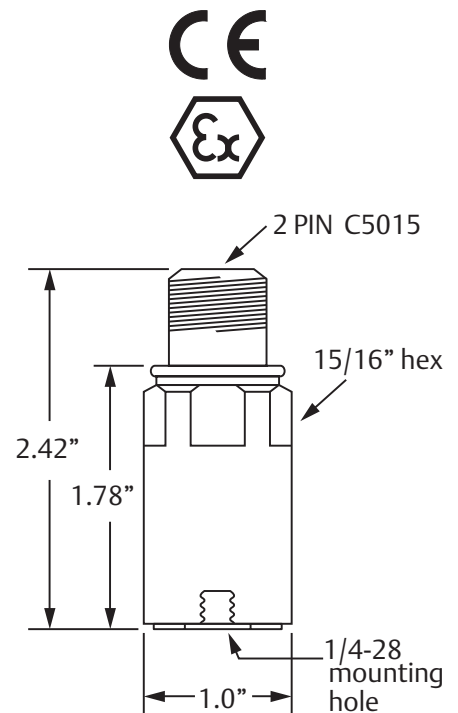


# Industrial Accelerometer

Dynamic Performance	
Sensitivity ( $\pm 5\%$ @ 25°C)	100 mV/g (10.2 mV/m/s <sup>2</sup> )
Measurement Range	$\pm 80$ g ( $\pm 785$ m/s <sup>2</sup> )
Frequency Range:	( $\pm 5\%$ ) 1.5 to 5000 Hz (90 to 300,000 cpm)
	( $\pm 3$ dB) 0.50 to 15000 Hz (30 to 900,000 cpm)
Mounted Resonant Frequency	25 kHz Nominal
Amplitude Nonlinearity	1%
Transverse Sensitivity	$\leq 5\%$
Environmental	
Shock Limit	5000g pk (49050 m/s <sup>2</sup> )
Temperature Range	-50 to 120°C (-58 to 248°F)
Temperature Response	-15% @ -50°C, +20% @ 120°C
Sealing	Hermetic
Agency Ratings	CE 0518
	ATEX II 1G, I M1
	IECEX SIR 07.0032X, Sira 07ATEX2128X
	Ga Ex ia IIC T4 (-20°C < Ta < 50°C) Ma Ex ia I (0°C < Ta < 50°C)
Electrical	
Excitation Voltage / Current	18 to 30 VDC / 2 to 10 mA
Output Impedance	<100 ohms
Output Bias	12 VDC Nominal
Broadband Resolution (2.5 to 25 kHz)	600 $\mu$ g (5886 $\mu$ m/s <sup>2</sup> ) Electrical Noise
Grounding	Case Isolated, Internally Shielded



Mechanical	
Weight	112 grams Nominal (3.95 oz)
Mounting Thread / Torque	¼-28 UNF / 8 Nm (5.9 lb ft)
Sensor Element / Geometry	PZT Ceramic / Compression
Case Material	316L Stainless Steel
Supplied Accesories	
Multi Point Calibration	
¼-28 Mounting Stud	

©2017, Emerson. All rights reserved.

The Emerson logo is a trademark and service mark of Emerson Electric Co. All other marks are the property of their respective owners.

The contents of this publication are presented for informational purposes only, and while every effort has been made to ensure their accuracy, they are not to be construed as warranties or guarantees, express or implied, regarding the products or services described herein or their use or applicability. All sales are governed by our terms and conditions, which are available on request. We reserve the right to modify or improve the designs or specifications of our products at any time without notice.

**Emerson**  
**Reliability Solutions**  
 835 Innovation Drive  
 Knoxville, TN 37932 USA  
 ☎ +1 865 675 2400  
 🌐 [www.emerson.com/ams](http://www.emerson.com/ams)