

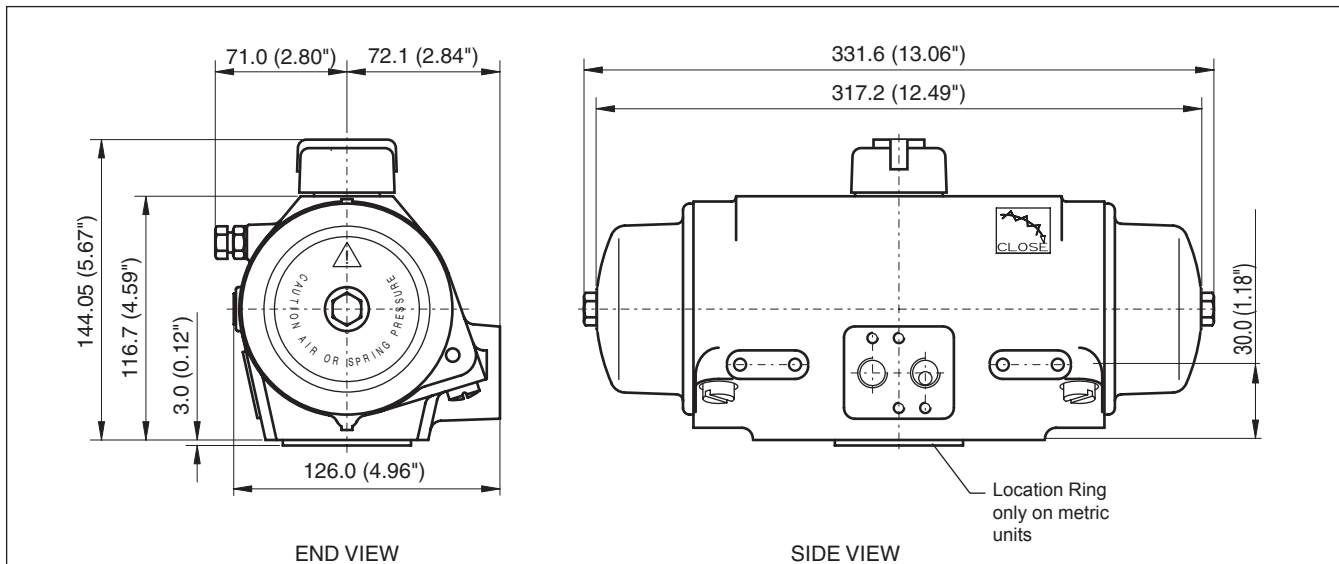
Data sheet

Sheet No.: D31, Rev. E
 Date: September 2009

Hytork XL

Envelope Dimensions and Torque Data

XL186 Double acting and Spring Return actuator



Torque in Nm, Pressure in bar(g)																
Double Acting Torques		65		87		109		120		131		152		174		
Spring Rating	Torque From Springs		3.0 bar(g)		4.0 bar(g)		5.0 bar(g)		5.5 bar(g)		6.0 bar(g)		7.0 bar(g)		8.0 bar(g)	
	Start	End	Start	End	Start	End	Start	End	Start	End	Start	End	Start	End	Start	End
S40	37	22	43	28	65	50	86	71	97	82	108	93	130	115	152	137
S50	47	28	37	19	59	40	81	62	92	73	102	84	124	106	146	127
S60	56	34	32	9	53	31	75	53	86	64	97	75	119	96	140	118
S70	65	39	-	-	48	22	70	43	80	54	91	65	113	87	135	109
S80	75	45	-	-	42	12	64	34	75	45	86	56	108	78	129	99
S90	84	50	-	-	-	-	58	25	69	36	80	46	102	68	124	90
S1C	93	56	-	-	-	-	53	15	64	26	75	37	96	59	118	81

Torque in inch-pounds, Pressure in PSI																
Double Acting Torques		528		660		792		1055		1187		1319		1583		
Spring Rating	Torque From Springs		40 PSI		50 PSI		60 PSI		80 PSI		90 PSI		100 PSI		120 PSI	
	Start	End	Start	End	Start	End	Start	End	Start	End	Start	End	Start	End	Start	End
S40	331	198	329	197	461	329	593	461	857	725	989	857	1121	989	1385	1253
S50	413	248	280	115	412	247	543	379	807	642	939	774	1071	906	1335	1170
S60	495	298	-	-	362	164	494	296	757	560	889	692	1021	824	1285	1088
S70	578	347	-	-	312	81	444	213	708	477	840	609	972	741	1236	1005
S80	661	397	-	-	-	-	395	130	659	394	791	526	923	658	1186	922
S90	744	446	-	-	-	-	-	-	609	311	741	443	873	575	1137	839
S1C	827	495	-	-	-	-	-	-	560	229	692	361	824	492	1088	756



www.hytork.com

Copyright © Emerson Process Management. The information in this document is subject to change without notice.
 Updated data sheets can be obtained from our web site www.hytork.com or from your nearest Valve Automation Center
 USA: +1 281 477 4100 (fax 281 477 2809) UK: +44 191 5180020 (fax 5180032)



EMERSON
 Process Management