

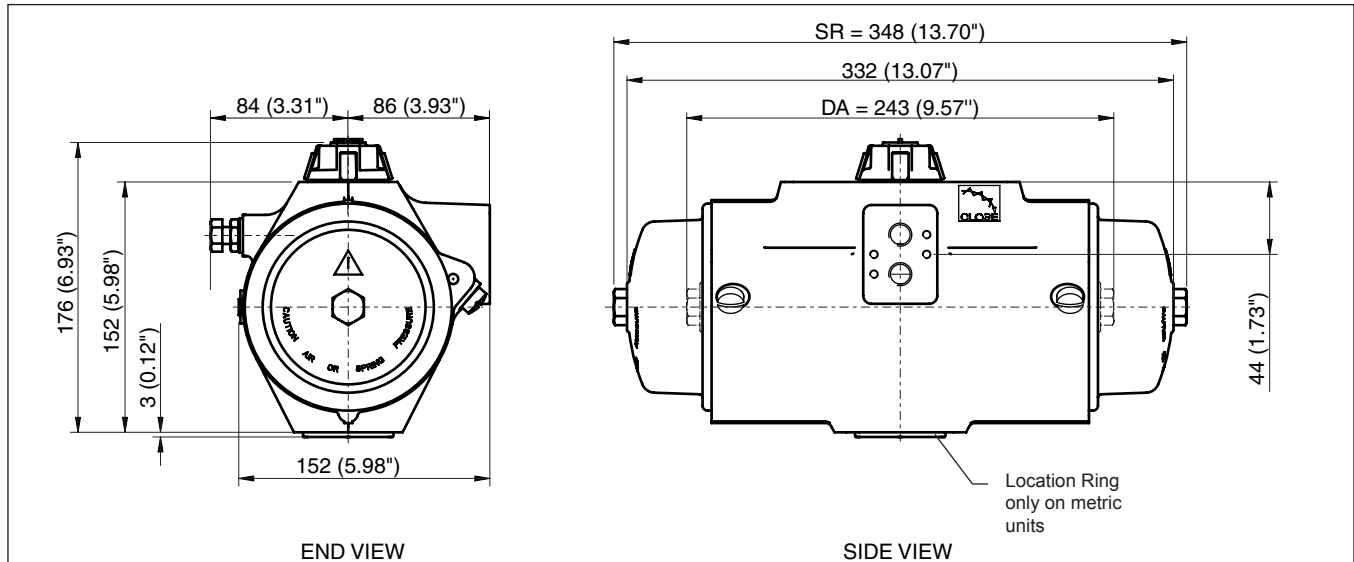
Data sheet

Sheet No.: D33, Rev. C
 Date: December 2011

Hytork XL

Envelope Dimensions and Torque Data

XL281 Double acting and Spring Return actuator



Torque in Nm, Pressure in bar(g)																
Double Acting Torques		109		145		181		200		218		254		290		
Spring Rating	Torque From Springs		3.0 bar(g)		4.0 bar(g)		5.0 bar(g)		5.5 bar(g)		6.0 bar(g)		7.0 bar(g)		8.0 bar(g)	
	Start	End	Start	End	Start	End	Start	End	Start	End	Start	End	Start	End	Start	End
S40	64	37	71	45	108	81	144	117	162	135	180	154	216	190	253	226
S50	80	47	62	29	98	65	135	101	153	119	171	138	207	174	243	210
S60	96	56	-	-	89	49	125	85	143	103	161	122	198	158	234	194
S70	112	66	-	-	80	33	116	69	134	87	152	106	188	142	225	178
S80	128	75	-	-	-	-	106	53	125	71	143	90	179	126	215	162
S90	144	84	-	-	-	-	97	37	115	55	133	74	170	110	206	146
S1C	160	94	-	-	-	-	-	-	106	39	124	57	160	94	197	130

Torque in inch-pounds, Pressure in PSI																
Double Acting Torques		880		1099		1319		1759		1979		2199		2639		
Spring Rating	Torque From Springs		40 PSI		50 PSI		60 PSI		80 PSI		90 PSI		100 PSI		120 PSI	
	Start	End	Start	End	Start	End	Start	End	Start	End	Start	End	Start	End	Start	End
S40	567	331	548	313	768	532	988	752	1428	1192	1648	1412	1867	1632	2307	2072
S50	709	414	465	171	685	391	905	611	1345	1050	1565	1270	1785	1490	2224	1930
S60	850	497	-	-	602	249	822	469	1262	909	1482	1129	1702	1348	2142	1788
S70	992	580	-	-	-	-	739	327	1179	767	1399	987	1619	1207	2059	1646
S80	1134	663	-	-	-	-	657	185	1096	625	1316	845	1536	1065	1976	1505
S90	1276	745	-	-	-	-	-	-	1014	483	1233	703	1453	923	1893	1363
S1C	1417	828	-	-	-	-	-	-	931	342	1151	562	1370	782	1810	1221



www.hytork.com

Copyright © Emerson Process Management. The information in this document is subject to change without notice.
 Updated data sheets can be obtained from our web site www.hytork.com or from your nearest Valve Automation Center
USA: +1 281 477 4100 (fax 281 477 2809) **UK:** +44 191 5180020 (fax 5180032)



EMERSON
 Process Management