

# Daniel™ Series 1500 Liquid Turbine Meter

NPS 1 through 2.5



## Daniel customer service

Location	Telephone number	Fax number
North America/Latin America	+1.713.467.6000	+1.713.827.4805
Daniel Customer Service	+1.713.827.6314	+1.713.827.6312
USA (toll free)	+1.888.356.9001	+1.713.827.3380
Asia Pacific (Republic of Singapore)	+65.6777.8211	+65.6777.0947.0743
Europe (Stirling Scotland, UK)	+44 (0)1786.433400	+44 (0)1786.433401
Middle East Africa (Dubai, UAE)	+971 4 8118100	+971 4 8865465
Daniel Measurement and Control, Inc. (Headquarters) 11100 Brittmoore Park Drive Houston, TX 77041 USA <a href="http://www.daniel.com">http://www.daniel.com</a>		

### Email

- Customer Service: [tech.service@emersonprocess.com](mailto:tech.service@emersonprocess.com)
- Customer Support: [daniel.cst.support@emerson.com](mailto:daniel.cst.support@emerson.com)
- Asia-Pacific: [danielap.support@emerson.com](mailto:danielap.support@emerson.com)
- Europe: [DanielEMA.CST@EmersonProcess.com](mailto:DanielEMA.CST@EmersonProcess.com)

### Return Material Authorization (RMA)

A Return Material Authorization (RMA) number must be obtained prior to returning any equipment for any reason. Download the RMA form from the Support Services web page by selecting the link below.

<http://www2.emersonprocess.com/EN-US/BRANDS/DANIEL/SUPPORT-SERVICES/Pages/Support-Services.aspx>

## Signal words and symbols

Pay special attention to the following signal words, safety alert symbols and statements:



### Safety alert symbol

This is a safety alert symbol. It is used to alert you to potential physical injury hazards. Obey all safety messages that follow this symbol to avoid possible injury or death.

### **DANGER!**

Danger indicates a hazardous situation which, if not avoided, will result in death or serious injury.

---

### **WARNING!**

Warning indicates a hazardous situation which, if not avoided, could result in death or serious injury.

---

### **CAUTION!**

Caution indicates a hazardous situation which, if not avoided, could result in minor or moderate injury.

---

### **NOTICE**

Notice is used to address safety messages or practices not related to personal injury.

---

### **Important**

Important is a statement the user needs to know and consider.

---

### **Tip**

Tip provides information or suggestions for improved efficiency or best results.

---

### **Note**

Note is “general by-the-way” content not essential to the main flow of information.

---

## Important safety instructions

Daniel Measurement and Control, Inc. (Daniel) designs, manufactures and tests products to function within specific conditions. Because these products are sophisticated technical instruments, it is important that the owner and operation personnel must strictly adhere both to the information printed on the product and to all instructions provided in this manual prior to installation, operation, and maintenance.

Daniel also urges you to integrate this manual into your training and safety program.

BE SURE ALL PERSONNEL READ AND FOLLOW THE INSTRUCTIONS IN THIS MANUAL AND ALL NOTICES AND PRODUCT WARNINGS.

### **WARNING!**

**Failure to follow the installation, operation or maintenance instructions for a Daniel product could lead to serious injury or death from explosion or exposure to dangerous substances.**

To reduce the risk:

- **Comply with all information on the product, in this manual, and in any local and national codes that apply to this product.**
- **Do not allow untrained personnel to work with this product.**
- **Use Daniel parts and work procedures specified in this manual.**

## Product owners (Purchasers):

- Use the correct product for the environment and pressures present. See technical data or product specifications for limitations. If you are unsure, discuss your needs with your Daniel representative.
- Inform and train all personnel in the proper installation, operation, and maintenance of this product.
- To ensure safe and proper performance, only informed and trained personnel should install, operate, repair and maintain this product.
- Verify that this is the correct instruction manual for your Daniel product. If this is not the correct documentation, contact Daniel at 1-713-827-6314. You may also download the correct manual from: <http://www.Daniel.com>.
- Save this instruction manual for future reference.
- If you resell or transfer this product, it is your responsibility to forward this instruction manual along with the product to the new owner or transferee.
- ALWAYS READ AND FOLLOW THE INSTALLATION, OPERATIONS, MAINTENANCE AND TROUBLESHOOTING MANUAL(S) AND ALL PRODUCT WARNINGS AND INSTRUCTIONS.
- Do not use this equipment for any purpose other than its intended service. This may result in property damage and/or serious personal injury or death.

### **Product operation (Personnel):**

- To prevent personal injury, personnel must follow all instructions of this manual prior to and during operation of the product.
- Follow all warnings, cautions, and notices marked on, and supplied with, this product.
- Verify that this is the correct instruction manual for your Daniel product. If this is not the correct documentation, contact Daniel at 1-713-827-6314. You may also download the correct manual from: <http://www.daniel.com>.
- Read and understand all instructions and operating procedures for this product.
- If you do not understand an instruction, or do not feel comfortable following the instructions, contact your Daniel representative for clarification or assistance.
- Install this product as specified in the INSTALLATION section of this manual per applicable local and national codes.
- Follow all instructions during the installation, operation, and maintenance of this product.
- Connect the product to the appropriate pressure and electrical sources when and where applicable.
- Ensure that all connections to pressure and electrical sources are secure prior to and during equipment operation.
- Use only replacement parts specified by Daniel. Unauthorized parts and procedures can affect this product's performance, safety, and invalidate the warranty. "Look-a-like" substitutions may result in deadly fire, explosion, release of toxic substances or improper operation.
- Save this instruction manual for future reference.

## Notice

THE CONTENTS OF THIS PUBLICATION ARE PRESENTED FOR INFORMATIONAL PURPOSES ONLY, AND WHILE EVERY EFFORT HAS BEEN MADE TO ENSURE THEIR ACCURACY, THEY ARE NOT TO BE CONSTRUED AS WARRANTIES OR GUARANTEES, EXPRESSED OR IMPLIED, REGARDING THE PRODUCTS OR SERVICES DESCRIBED HEREIN OR THEIR USE OR APPLICABILITY. ALL SALES ARE GOVERNED BY DANIEL'S TERMS AND CONDITIONS, WHICH ARE AVAILABLE UPON REQUEST. WE RESERVE THE RIGHT TO MODIFY OR IMPROVE THE DESIGNS OR SPECIFICATIONS OF SUCH PRODUCTS AT ANY TIME.

DANIEL DOES NOT ASSUME RESPONSIBILITY FOR THE SELECTION, USE OR MAINTENANCE OF ANY PRODUCT. RESPONSIBILITY FOR PROPER SELECTION, USE AND MAINTENANCE OF ANY DANIEL PRODUCT REMAINS SOLELY WITH THE PURCHASER AND END-USER.

TO THE BEST OF DANIEL'S KNOWLEDGE THE INFORMATION HEREIN IS COMPLETE AND ACCURATE. DANIEL MAKES NO WARRANTIES, EXPRESSED OR IMPLIED, INCLUDING THE IMPLIED WARRANTIES OF MERCHANTABILITY AND FITNESS FOR A PARTICULAR PURPOSE WITH RESPECT TO THIS MANUAL AND, IN NO EVENT, SHALL DANIEL BE LIABLE FOR ANY INCIDENTAL, PUNITIVE, SPECIAL OR CONSEQUENTIAL DAMAGES INCLUDING, BUT NOT LIMITED TO, LOSS OF PRODUCTION, LOSS OF PROFITS, LOSS OF REVENUE OR USE AND COSTS INCURRED INCLUDING WITHOUT LIMITATION FOR CAPITAL, FUEL AND POWER, AND CLAIMS OF THIRD PARTIES.

PRODUCT NAMES USED HEREIN ARE FOR MANUFACTURER OR SUPPLIER IDENTIFICATION ONLY AND MAY BE TRADEMARKS/ REGISTERED TRADEMARKS OF THESE COMPANIES.

## Warranty and Limitations

1. LIMITED WARRANTY: Subject to the limitations contained in Section 2 herein, Daniel Measurement & Control, Inc. ("Daniel") warrants that the licensed firmware embodied in the Goods will execute the programming instructions provided by Daniel, and that the Goods manufactured by Daniel will be free from defects in materials or workmanship under normal use and care and Services will be performed by trained personnel using proper equipment and instrumentation for the particular Service provided. The foregoing warranties will apply until the expiration of the applicable warranty period. Goods are warranted for twelve (12) months from the date of initial installation or eighteen (18) months from the date of shipment by Daniel, whichever period expires first. Consumables and Services are warranted for a period of 90 days from the date of shipment or completion of the Services. Products purchased by Daniel from a third party for resale to Buyer ("Resale Products") shall carry only the warranty extended by the original manufacturer. Buyer agrees that Daniel has no liability for Resale Products beyond making a reasonable commercial effort to arrange for procurement and shipping of the Resale Products. If Buyer discovers any warranty defects and notifies Daniel thereof in writing during the applicable warranty period, Daniel shall, at its option, correct any errors that are found by Daniel in the firmware or Services or repair or replace F.O.B. point of manufacture that portion of the Goods or firmware found by Daniel to be defective, or refund the purchase price of the defective portion of the Goods/Services. All replacements or repairs necessitated by inadequate maintenance, normal wear and usage, unsuitable power sources or environmental conditions, accident, misuse, improper installation, modification, repair, use of unauthorized replacement parts, storage or handling, or any other cause not the fault of Daniel are not covered by this limited warranty, and shall be at Buyer's expense. Daniel shall not be obligated to pay any costs or charges incurred by Buyer or any other party except as may be agreed upon in writing in advance by Daniel. All costs of dismantling, reinstallation and freight and the time and expenses of Daniel's personnel and representatives for site travel and diagnosis under this warranty clause shall be borne by Buyer unless accepted in writing by Daniel. Goods repaired and parts replaced by Daniel during the warranty period shall be in warranty for the remainder of the original warranty period or ninety (90) days, whichever is longer. This limited warranty is the only warranty made by Daniel and can be amended only in a writing signed by Daniel. THE WARRANTIES AND REMEDIES SET FORTH ABOVE ARE EXCLUSIVE. THERE ARE NO REPRESENTATIONS OR WARRANTIES OF ANY KIND, EXPRESS OR IMPLIED, AS TO MERCHANTABILITY, FITNESS FOR PARTICULAR PURPOSE OR ANY OTHER MATTER WITH RESPECT TO ANY OF THE GOODS OR SERVICES. Buyer acknowledges and agrees that corrosion or erosion of materials is not covered by this warranty.

2. LIMITATION OF REMEDY AND LIABILITY: Daniel shall not be liable for damages caused by delay in performance. The remedies of Buyer set forth in this agreement are exclusive. In no event, regardless of the form of the claim or cause of action (whether based in contract, infringement, negligence, strict liability, other tort or otherwise), shall Daniel's liability to Buyer and/or its customers exceed the price to Buyer of the specific goods manufactured or services provided by Daniel giving rise to the claim or cause of action. Buyer agrees that in no event shall Daniel's liability to Buyer and/or its customers extend to include incidental, consequential or punitive damages. The term "consequential damages" shall include, but not be limited to, loss of anticipated profits, revenue or use and costs incurred including without limitation for capital, fuel and power, and claims of Buyer's customers.





# Contents

## Part I Plan

<b>Chapter 1</b>	<b>Introduction</b>	<b>3</b>
1.1	Purpose of this manual	3
1.2	Description of the Series 1500 Liquid Turbine Meter (LTM)	3
1.2.1	General features of the turbine meter	3
1.2.2	Operation overview of the turbine meter	4
1.2.3	Parts lists for the Series 1500 LTM, Nominal Pipe Size (NPS) 1-2.5	5
1.3	Agency certifications for the Series 1500 LTM	20
<b>Chapter 2</b>	<b>Operating conditions and specifications</b>	<b>21</b>
2.1	Operating conditions for the liquid turbine meter	21
2.1.1	Design considerations	22
2.1.2	Environmental conditions	22
2.1.3	Operating parameters for the LTM	23
2.2	Specifications for the LTM	26
2.2.1	Interface parameters	26
2.2.2	Requirements and limitations for installation	30
<b>Chapter 3</b>	<b>Turbine meter handling</b>	<b>33</b>
3.1	Receive the turbine meter	33
3.1.1	Unpack and inspect the turbine meter	33
3.2	Store the turbine meter	33
3.2.1	Rust inhibitor	33
3.2.2	Pack the turbine meter	33
3.2.3	Storage conditions	33
<b>Chapter 4</b>	<b>Prepare the turbine meter for use</b>	<b>35</b>
4.1	Lifting conditions	35
4.2	Lifting requirements for personnel	36
4.2.1	Equipment required to lift the turbine meter	36
4.3	Configuration of the turbine meter	39
4.3.1	Orientation and position of the turbine meter	40
4.3.2	Piping recommendations	40
4.3.3	Calibration options for the turbine meter	41
4.3.4	Preamplifier power requirements	41
4.3.5	Grounding	43
4.3.6	LME communication connectivity restrictions	44
4.3.7	RME communication connectivity restrictions	44
4.3.8	Install the security seal	45

## Part II Install

<b>Chapter 5</b>	<b>Installation prerequisites</b>	<b>49</b>
5.1	Pre-start checks	49

	5.2	Torque information .....	49
	5.3	Tools required for LME disassembly/assembly .....	49
<b>Chapter 6</b>		<b>Installation procedure .....</b>	<b>51</b>
	6.1	Cathodic protection .....	51
	6.2	Mechanical components assembly .....	51
	6.2.1	Fasteners .....	51
	6.3	Assemble the electronic components .....	52
<b>Chapter 7</b>		<b>Testing .....</b>	<b>55</b>
	7.1	Test the turbine meter .....	55
	7.1.1	Commission the turbine meter .....	55
<b>Part III Operate</b>			
<b>Chapter 8</b>		<b>Operation parameters .....</b>	<b>59</b>
	8.1	Operation overview .....	59
	8.2	Turbine meter normal operation .....	59
	8.3	Back pressure calculation for the LTM .....	60
	8.4	LME remote operation .....	60
<b>Part IV Maintain</b>			
<b>Chapter 9</b>		<b>Planned maintenance .....</b>	<b>63</b>
	9.1	Maintenance considerations .....	63
	9.2	Tools required for mechanical components .....	63
	9.3	Prepare for mechanical disassembly .....	64
	9.3.1	Disassemble internal meter housing components - NPS 1 .....	65
	9.3.2	Disassemble internal meter housing components - NPS 1.5, 2 and 2.5 .....	68
	9.4	Mechanical assembly .....	73
	9.4.1	Assemble internal meter housing components - NPS 1 .....	73
	9.4.2	Assemble internal meter housing components - NPS 1.5, 2 and 2.5 .....	76
	9.5	Electronics enclosure disassembly .....	80
	9.5.1	Disassemble the LME/RME - Standard enclosure .....	80
	9.5.2	Disassemble the LME - High temperature enclosure .....	81
	9.6	Electronics enclosure assembly .....	81
	9.6.1	Assemble the LME/RME - Standard enclosure .....	82
	9.6.2	Assemble the LME - High temperature enclosure .....	82
	9.7	Replace the preamplifier .....	83
	9.8	Planned maintenance tasks .....	83
<b>Chapter 10</b>		<b>Corrective maintenance .....</b>	<b>85</b>
	10.1	Turbine meter troubleshooting .....	85
	10.2	Verify the return to operational condition .....	85
<b>Chapter 11</b>		<b>Spare parts .....</b>	<b>87</b>
	11.1	Recommended spare parts .....	87
<b>Chapter 12</b>		<b>Decommission the turbine meter .....</b>	<b>89</b>
	12.1	Shut down the turbine meter .....	89
	12.2	Turbine meter disassembly/assembly .....	89
	12.3	Shipment of the meter .....	90

# Part I

## Plan

### Chapters covered in this part:

- *Introduction*
- *Operating conditions and specifications*
- *Turbine meter handling*
- *Prepare the turbine meter for use*



# 1 Introduction

## Topics covered in this chapter:

- *Purpose of this manual*
- *Description of the Series 1500 Liquid Turbine Meter (LTM)*
- *Agency certifications for the Series 1500 LTM*

## 1.1 Purpose of this manual

Daniel Measurement and Control Inc. designed this manual to guide owners and personnel in the installation, operation and maintenance of the Daniel™ Series 1500 Liquid Turbine Meter Manual, 3-9008-507. It is imperative that product owners and operation personnel read and follow the information contained in this manual to ensure that the turbine meter is installed correctly and is operating according to the design, certifications and safety considerations.

## 1.2 Description of the Series 1500 Liquid Turbine Meter (LTM)

### 1.2.1 General features of the turbine meter

The Daniel Series 1500 Liquid Turbine Meter (LTM) is a volumetric flow metering and transmitting device used for accurate measurement of hydrocarbons and other related process fluids. The design allows high operational flow rates, extended flow ranges and sustained performance capability.

The turbine meter is designed for use within the guidelines of *API Manual of Petroleum Measurement Standards (MPMS)*, Chapter 5.3 and test procedures of API MPMS, Chapter 4 (Prover systems).

The meter consists of two main parts: Local Mounted Enclosure (LME) assembly and the meter body housing assembly. For certain functions, the meter will have a Remote Mounted Enclosure (RME), another version of the LME.

The LME is an explosion-proof, weather-resistant housing for dual pickoffs, as well as an encapsulated preamplifier. It also serves as the mechanical mounting connection necessary for local and remote accessories.

---

#### Note

Daniel offers electronic enclosures with different housing materials and electronic configurations.

---

### Local Mounted Enclosure (LME)

The LME consists of an electrical enclosure and a solid cover made of stainless steel. This configuration contains a mounting bracket and a preamplifier which works with two standard pickoff coils mounted into the meter housing.

The electrical enclosure contains an external and an internal grounding lug. The two enclosure openings are plugged with stainless steel plugs. Refer to [Chapter 2](#) for more specifications.

### LME - High temperature

The LME - High temperature consists of an electrical enclosure and a solid cover both made of stainless steel. This configuration contains one mounting bracket and two high temperature terminal blocks which are the connections between the high temperature pickoff coils and the flex cable.

---

#### Important

The customer provides and installs a flex cable.

---

The flex cable is the connection between the preamplifier that is assembled into a Remote Mounted Enclosure (RME), not more than 6 meters from the center of the meter housing to the center of the RME.

The electrical enclosure contains an external and an internal grounding lug. The two enclosure openings are plugged. Refer to [Chapter 2](#).

### Remote Mounted Enclosure (RME)

The RME is an electric transmitting device used primarily in the petroleum industry for remote installation of liquid turbine meter electronics. The RME is specifically designed for high temperature applications.

The turbine meter is ideal for applications requiring high frequency resolution. Applications may include electronic registers, batchers, electronic presets or flow computers.

## 1.2.2 Operation overview of the turbine meter

Metering systems combine turbine meters and electronic instrumentation to measure volumetric total flow and/or flow rate. Metering systems are used to provide measurement information in fluid transport, petroleum and chemical processing, custody transfer of liquids, blending systems, in product batching and in field or plant operations.

- Each turbine meter is comprised of a cylindrical housing that contains a precise turbine rotor assembly. The magnetic pickoffs are mounted in a boss on the turbine meter body.
- As fluid passes through the turbine meter, it causes the rotor to revolve with an angular velocity proportional to flow.

- The rotor blades passing through the magnetic field of the pickoff generate a pulsing voltage in the coil of the pickoff assembly. Each voltage pulse represents a discrete volume. The total number of pulses collected over a period of time represents the total volume metered.
- The sinusoidal signal from each pickoff has a low amplitude and is not normally relied upon for transmission distances over 6 meters (20 feet). The signal must, therefore, be amplified. This is achieved with a preamplifier contained within the LME that is mounted on the turbine meter.
- These pulse signals are typically transmitted to control room instrumentation, such as flow computers, and may also be required to transmit to prover computers which calculate, display, transmit, control or record the flow sensed by the rotor. The results may be displayed as pulse-counts or standard engineering units, such as gallons, liters, barrels, etc.
- All Daniel Series 1500 Liquid Turbine Meters have, as standard, the LME which is fitted with two pickoffs and a dual channel preamplifier.
- The pickoff mountings are oriented so that the outputs from the pickups are 90° electrically out of phase. The turbine meter may be supplied with two LMEs, offering up to four pulse outputs. Alternate pairs across the two LMEs are also 90° electrically out of phase.
- Each turbine meter is precisely flow calibrated before shipment.

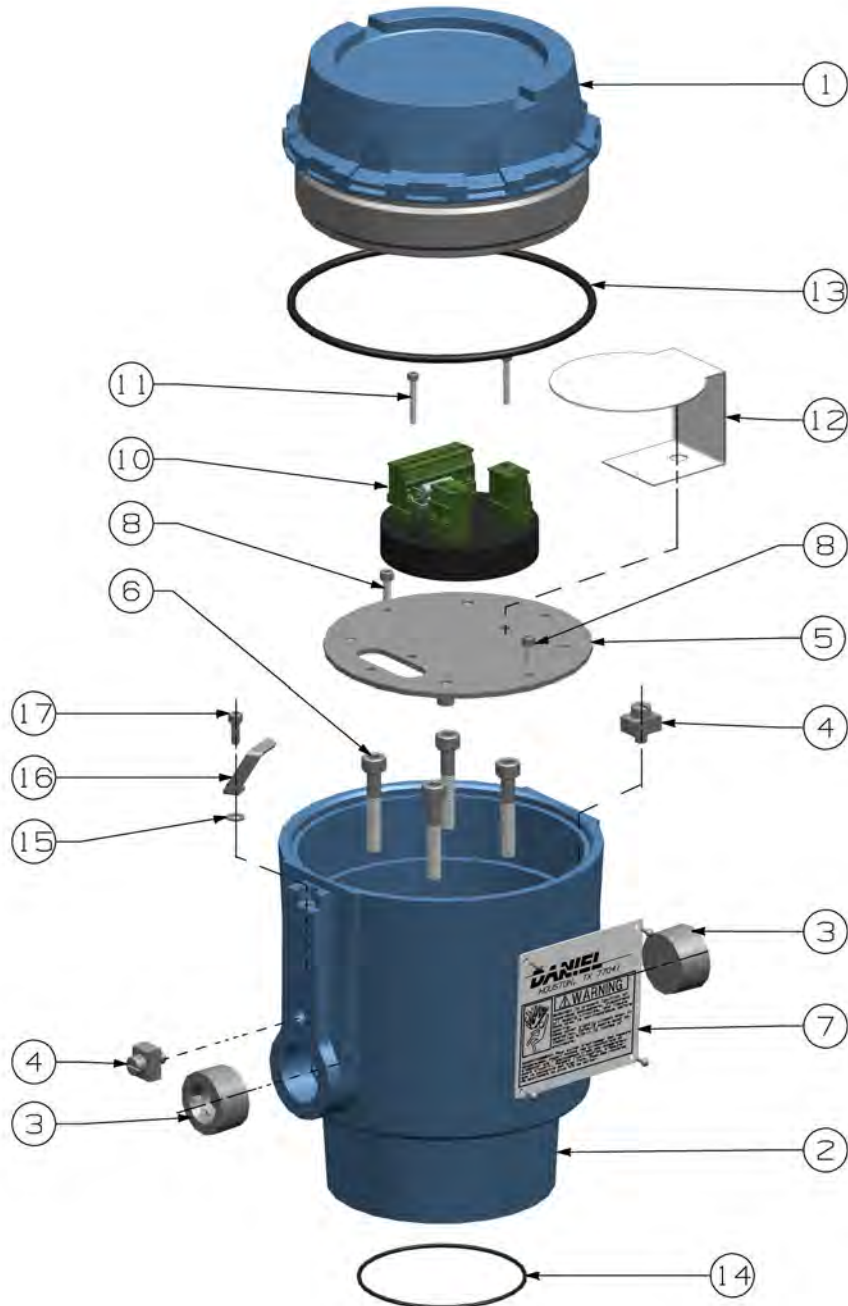
### 1.2.3 Parts lists for the Series 1500 LTM, Nominal Pipe Size (NPS) 1-2.5

This section includes the necessary parts required to assemble a standard unit described in this manual.

Configurations for [LME assembly - Standard enclosure](#), [LME assembly - High temperature](#), [RME assembly - Pipe mount](#) and [RME assembly - Wall mount](#) are shown below.

## LME assembly - Standard enclosure

Figure 1-1: Part identification for a standard enclosure





**Table 1-1: Part description for a standard enclosure**

Item number	Description	Part number	Quantity required
1 <sup>(1)</sup>	End cap solid	1-360-00-025	1
2 <sup>(1)</sup>	Electronics enclosure	899-10-110-60	1
3	Plug pipe hex socket	154717-019	2
4	Grounding clamp	B18934-004	2
5	Mounting bracket	899-10-230-50	1
6 <sup>(2)</sup>	Socket head screw	899-10-230-52	4
7	Warning tag-Hazard	899-00-228-04	1
8	Socket head screw	899-10-230-61	2
10 <sup>(3)</sup>	2818 Dual channel preamplifier	1-504-05-550	1
11	Socket head screw	899-10-230-65	2
12 <sup>(3)</sup>	Wiring diagram for 2818 Dual channel preamplifier	899-10-228-07	1
13	O-ring NBR	2-4-9163-245	1
14	O-ring FKM	1500093-022	1
15	Washer plastic	1-562-01-827	1
16	Clamp cover	1-504-90-165	1
17	Socket head screw	1-555-27-001	1

(1) Enclosure housing and end cap material: stainless steel.

(2) Screw length varies on LTM sizes. The screws are not included in the part number package.

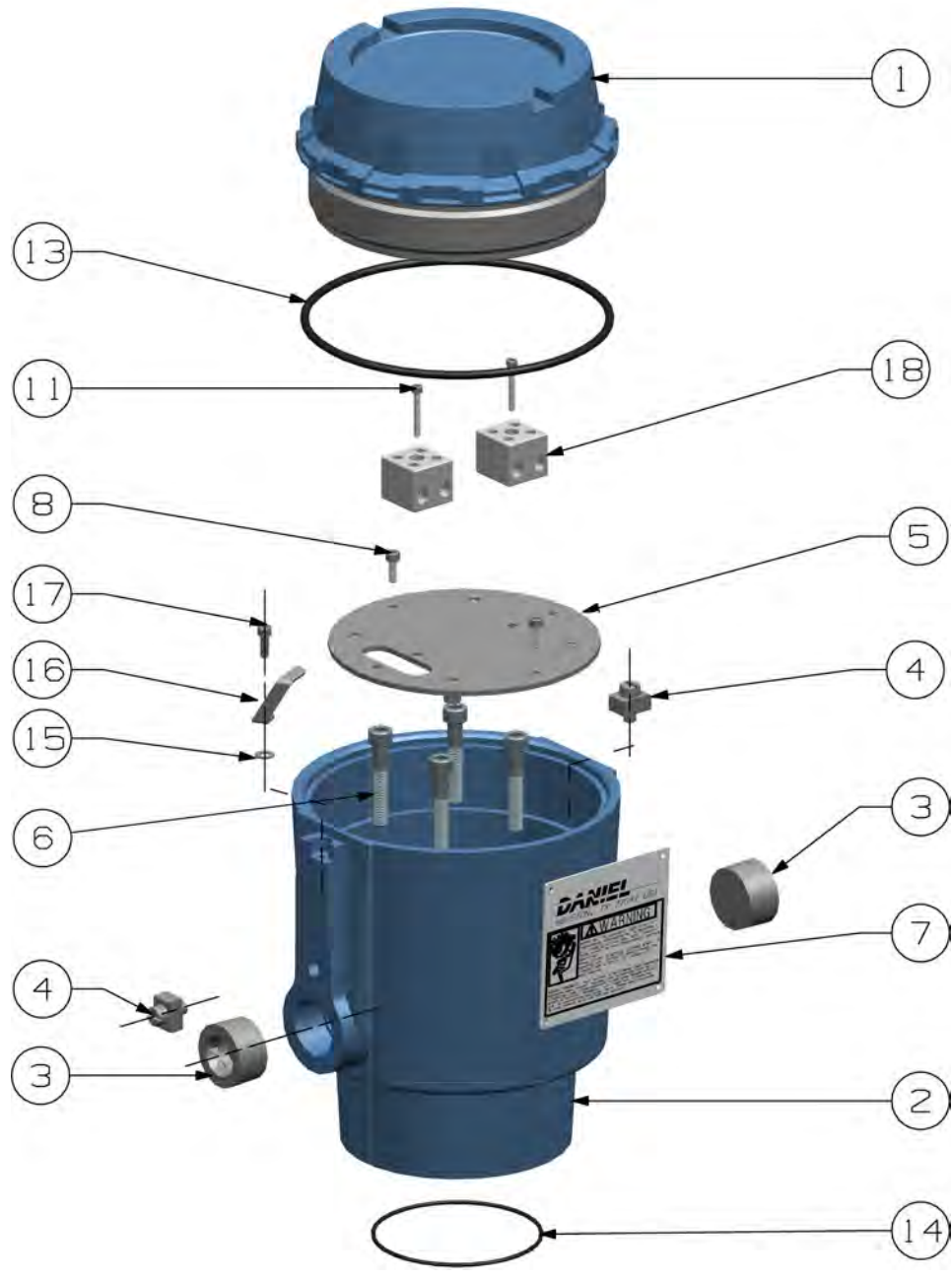
(3) 2818 Dual channel shown. For other preamplifier options refer to [Section 2.2.1](#).

## NOTICE

The joint between the LME cover and housing is a threaded joint. The joint between the LME housing and Sensor housing is a spigot joint with a minimum axial length of 26.16 mm (1.030 in), radial length of 3.18 mm (0.125 in), and a clearance of 0.07 mm (0.0028 in).

## LME assembly - High temperature

Figure 1-2: Part identification for a high temperature enclosure



**Table 1-2: Part description for a high temperature enclosure**

Item number	Description	Part number	Quantity required
1 <sup>(1)</sup>	End cap solid	1-360-00-25	1
2 <sup>(1)</sup>	Electronics enclosure	899-10-110-60	1
3	Plug pipe hex socket	154717-019	2
4	Grounding clamp	B18934-004	2
5	Mounting bracket	899-10-230-50	1
6 <sup>(2)</sup>	Socket head screw	899-10-230-52	4
7	Warning tag-Hazard	899-00-225-04	1
8	Socket head screw	899-10-230-61	2
11	Socket head screw	899-10-230-65	2
13	O-ring FKM	2-4-9163-245	1
14	O-ring FKM	1500093-022	1
15	Washer plastic	1-562-01-827	1
16	Clamp cover	1-504-90-165	1
17	Socket head screw	1-555-27-001	1
18	Terminal block	1505065	2

(1) Enclosure housing and end cap material: stainless steel.

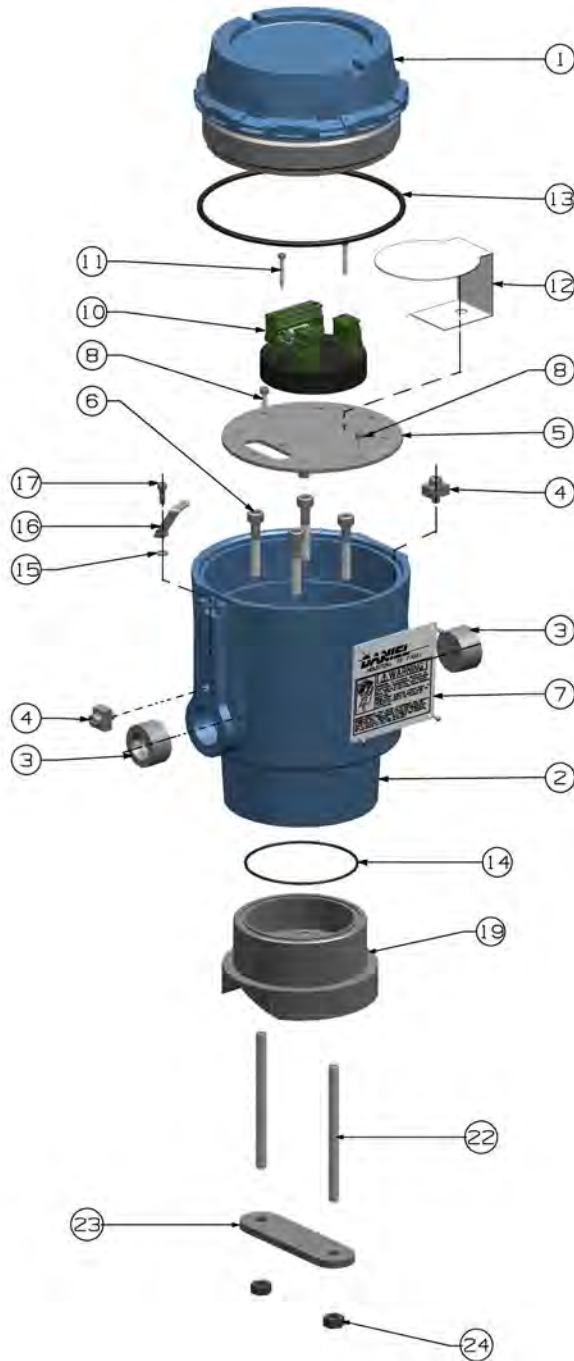
(2) Screw length varies on LTM sizes. The screws are not included in the part number package.

### NOTICE

The joint between the LME cover and housing is a threaded joint. The joint between the LME housing and Sensor housing is a spigot joint with a minimum axial length of 26.16 mm (1.030 in), radial length of 3.18 mm (0.125 in), and a clearance of 0.07 mm (0.0028 in).

## RME assembly - Pipe mount

Figure 1-3: Part identification for an RME assembly - Pipe mount



**Table 1-3: Part description for an RME assembly - Pipe mount**

Item number	Description	Part number	Quantity required
1 <sup>(1)</sup>	End cap solid	1-360-00-025	1
2 <sup>(1)</sup>	Electronics enclosure	899-10-110-60	1
3	Plug pipe hex socket	154717-019	2
4	Grounding clamp	B18934-004	2
5	Mounting bracket	899-10-230-50	1
6 <sup>(2)</sup>	Socket head screw	899-10-230-52	4
7	Warning tag-Hazard	899-00-228-04	1
8	Socket head screw	899-10-230-61	2
10 <sup>(3)</sup>	2818 Dual channel preamplifier	1-504-05-550	1
11	Socket head screw	899-10-230-65	2
12 <sup>(3)</sup>	Wiring diagram for 2818 Dual channel preamplifier	899-10-228-07	1
13	O-ring NBR	2-4-9163-245	1
14	O-ring FKM	1500093-022	1
15	Washer plastic	1-562-01-827	1
16	Clamp cover	1-504-90-165	1
17	Socket head screw	1-555-27-001	1
19	RME base	799-10-457-60M	1
22	Pipe mount studs	799-00-453-00	2
23	Pipe mount plate	799-00-454-00	1
24	Pipe mount nuts	151544	2

(1) Enclosure housing and end cap material: stainless steel.

(2) Screw length varies on LTM sizes. The screws are not included in the part number package.

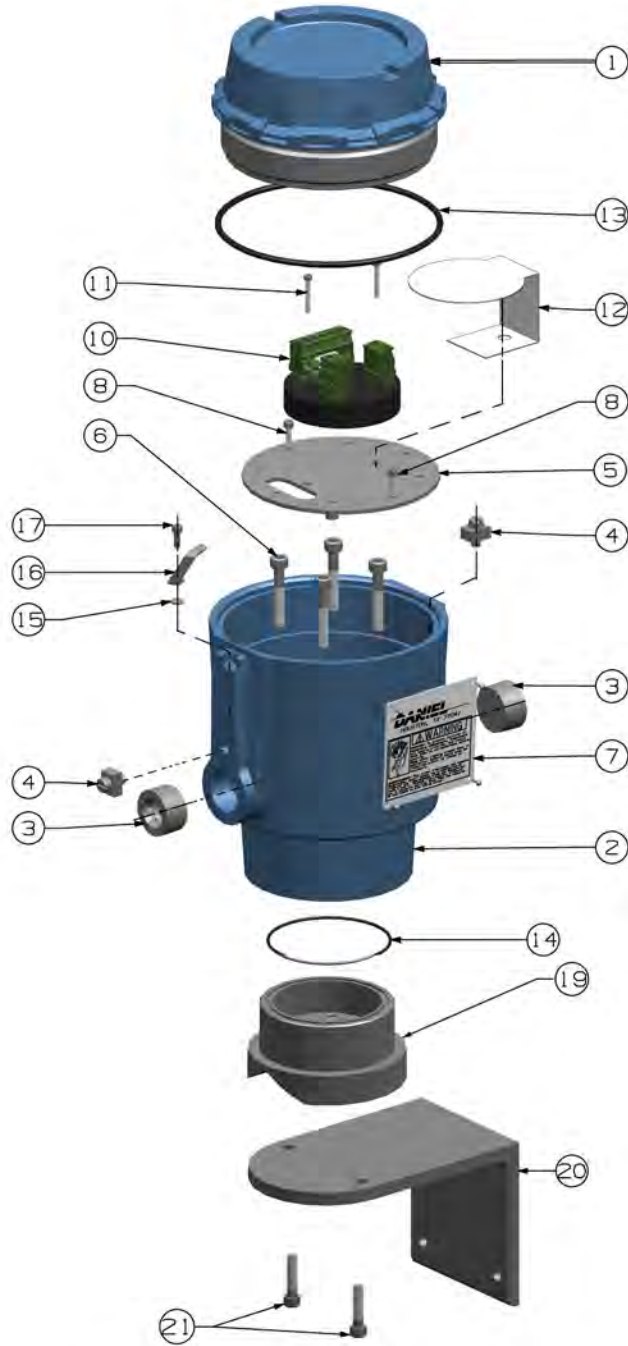
(3) 2818 Dual channel shown. For other preamplifier options refer to [Section 2.2.1](#).

## NOTICE

**The joint between the RME cover and housing is a threaded joint. The joint between the RME housing and Sensor housing is a spigot joint with a minimum axial length of 26.16 mm (1.030 in), radial length of 3.18 mm (0.125 in), and a clearance of 0.07 mm (0.0028 in).**

## RME assembly - Wall mount

Figure 1-4: Part identification for an RME assembly - Wall mount



**Table 1-4: Part description for an RME assembly - Wall mount**

Item number	Description	Part number	Quantity required
1 <sup>(1)</sup>	End cap solid	1-360-00-025	1
2 <sup>(1)</sup>	Electronics enclosure	899-10-110-60	1
3	Plug pipe hex socket	154717-019	2
4	Grounding clamp	B18934-004	2
5	Mounting bracket	899-10-230-50	1
6 <sup>(2)</sup>	Socket head screw	899-10-230-52	4
7	Warning tag-Hazard	899-00-228-04	1
8	Socket head screw	899-10-230-61	2
10 <sup>(3)</sup>	2818 Dual channel preamplifier	1-504-05-550	1
11	Socket head screw	899-10-230-65	2
12 <sup>(3)</sup>	Wiring diagram for 2818 Dual channel preamplifier	899-10-228-07	1
13	O-ring NBR	2-4-9163-245	1
14	O-ring FKM	1500093-022	1
15	Washer plastic	1-562-01-827	1
16	Clamp cover	1-504-90-165	1
17	Socket head screw	1-555-27-001	1
19	RME base	799-10-457-60M	1
20	Wall mount bracket	799-00-456-00	1
21	Wall mount screws	151497M	2

(1) Enclosure housing and end cap material: stainless steel.

(2) Screw length varies on LTM sizes. The screws are not included in the part number package.

(3) 2818 Dual channel shown. For other preamplifier options refer to [Section 2.2.1](#).

## NOTICE

The joint between the RME cover and housing is a threaded joint. The joint between the RME housing and Sensor housing is a spigot joint with a minimum axial length of 26.16 mm (1.030 in), radial length of 3.18 mm (0.125 in), and a clearance of 0.07 mm (0.0028 in).

## Meter housing internal components - NPS 1

The information below identifies and describes the NPS 1 meter housing components.

**Figure 1-5: Part identification for an NPS 1 LTM**





**Table 1-5: Part description for an NPS 1 LTM**

Item number	Description	Part number for material 304 SS	Part number for material 316 SS	Quantity required
14	O-ring FKM	1500093-022	1500093-022	1
40 <sup>(1)</sup>	Meter housing	799-10-311-61M	799-10-311-71M	1
41	Pickoff	899-00-201-00	899-00-201-00	2
42	Anti-rotation bracket clamp	899-10-230-66	899-10-230-66	1
50	Retaining ring	1-504-05-520	1-504-05-542	1
51	Sleeve	799-10-500-60	799-10-500-50	1
52 <sup>(2)</sup>	Upstream spring clip	1-307-09-007	1-307-09-020	1
53	Thrust washer	1-504-05-109	1-504-05-109	2
54	Rotor shaft	1-504-05-705	1-504-05-705	1
55	Rotor	1-307-11-033	1-307-11-034	1
56 <sup>(2)</sup>	Downstream spring clip	1-307-09-008	1-307-09-019	1

(1) *The meter housing shown is for class 150 raised face flange. For additional classes and flange types contact Daniel Sales representative.*

(2) *For a bidirectional assembly, item number 56 will be replaced with item number 52.*

---

**Note**

For alternative materials and NACE, contact Daniel Sales and Service.

---

## Meter housing internal components - NPS 1.5

The information below identifies and describes the NPS 1.5 meter housing components.

**Figure 1-6: Part identification for a NPS 1.5 LTM**



**Table 1-6: Part description for a NPS 1.5 LTM**

Item number	Description	Part number for material 304 SS	Part number for material 316 SS	Quantity required
14	O-ring FKM	1500093-022	1500093-022	1
40 <sup>(1)</sup>	Meter housing	799-14-311-61M	799-14-311-71M	1
41	Pickoff	899-00-201-00	899-00-201-00	2
42	Anti-rotation bracket clamp	899-10-230-66	899-10-230-66	1
52 <sup>(1)</sup>	Upstream spring clip	1-307-09-013	1-307-09-113	1
53	Thrust washer	1-504-05-111	1-504-05-111	2
54	Rotor shaft	1-504-05-138	1-504-05-138	1
55	Rotor	1-307-11-078	1-307-11-077	1
57 <sup>(2)</sup>	Downstream spring clip	1-307-09-014	1-307-09-114	1
60	Nut	1-561-76-041	1-561-76-041	2

(1) The meter housing shown is for class 150 raised face flange. For additional classes and flange types contact Daniel Sales representative.

(2) For a bidirectional assembly, item number 57 will be replaced with item number 52.

---

#### Note

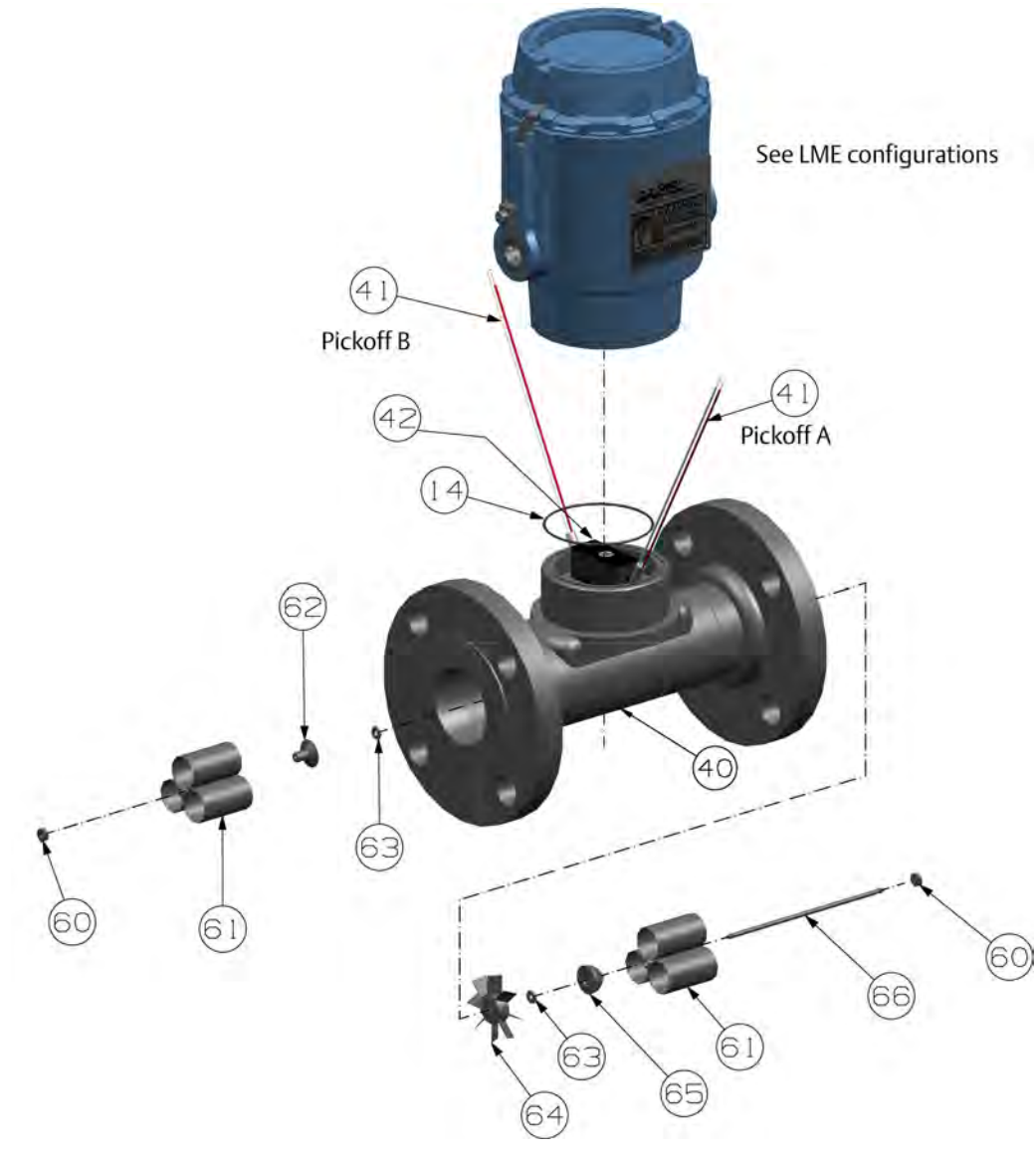
For alternative materials and NACE, contact Daniel Sales and Service.

---

## Meter housing internal components - NPS 2 and 2.5

The information below identifies and describes the 2 and 2.5 meter housing components.

**Figure 1-7: Part identification for a NPS 2 and 2.5 LTM**



**Table 1-7: Part description for a NPS 2 LTM**

Item number	Description	Part number for material 304 SS	Part number for material 316 SS	Quantity required
14	O-ring FKM	1500093-022	1500093-022	1
40 <sup>(1)</sup>	Meter housing	799-16-311-61M	799-16-311-71M	1
41	Pickoff	899-00-201-00	899-00-201-00	2
42	Anti-rotation bracket clamp	899-10-230-66	899-10-230-66	1
60	Nut	1-561-76-051	1-561-76-051	2
61 <sup>(1)</sup>	Spring clip	1-307-09-016	1-307-09-116	2
62 <sup>(1)</sup>	Upstream cone	1-307-10-014	1-307-10-228	1
63	Thrust washer	1-504-05-112	1-504-05-112	2
64	Rotor	1-307-11-107	1-307-11-103	1
65 <sup>(1)</sup>	Downstream cone	1-307-10-116	1-307-10-326	1
66	Shaft	1-504-05-706	1-504-05-706	1

(1) The meter housing shown is for class 150 raised face flange. For additional classes and flange types contact Daniel Sales representative.

**Table 1-8: Part description for a NPS 2.5 LTM**

Item number	Description	Part number for material 304 SS	Part number for material 316 SS	Quantity required
14	O-ring FKM	1500093-022	1500093-022	1
40 <sup>(1)</sup>	Meter housing	799-17-311-61M	799-17-311-71M	1
41	Pickoff	899-00-201-00	899-00-201-00	2
42	Anti-rotation bracket clamp	899-10-230-66	899-10-230-66	1
60	Nut	1-561-76-052	1-561-76-052	2
61	Spring clip	1-307-09-018	1-307-09-119	2
62	Upstream cone	1-307-10-018	1-307-10-229	1
63	Thrust washer	1-504-05-113	1-504-05-113	2
64	Rotor	1-307-11-225	1-307-11-226	1
65	Downstream cone	1-307-10-119	1-307-10-329	1
66	Shaft	1-504-05-707	1-504-05-707	1

(1) The meter housing shown is for class 150 raised face flange. For additional classes and flange types contact Daniel Sales representative.

**Note**

For alternative materials and NACE, contact Daniel Sales and Service.

## 1.3 Agency certifications for the Series 1500 LTM

**Table 1-9: Agency certifications for the Series 1500 LTM**

<b>Certification type</b>	<b>Description</b>
Electrical	UL and CUL: Class I, Div. 1, Groups B, C & D ATEX: Ex d IIC T6 Gb IECEX: Ex d IIC T6 Gb INMETRO (Brazil)
Environmental	NEMA 4x (IP66)
Pressure equipment	PED
Metrology	NMi TC7573 INMETRO (Brazil)
Ambient temperature	-40 °C to 60 °C (-40 °F to 140 °F)

## 2 Operating conditions and specifications

### Topics covered in this chapter:

- *Operating conditions for the liquid turbine meter*
- *Specifications for the LTM*

### 2.1 Operating conditions for the liquid turbine meter

**Table 2-1: Operating conditions for the liquid turbine meter**

Parameter type	Description
Fluid phase	Liquid
Fluid(s) measured	<ul style="list-style-type: none"> <li>• Low/medium viscosity crude oils and condensates</li> <li>• Refined products and intermediates (e.g.: <i>gasoline, diesel, kerosene, light fuel oils, jet fuel, LPG, butanes, naphtha, alkylate, reformate, straight run gasoline, cat-cracked gasoline</i>)</li> <li>• Petrochemicals (e.g.: <i>benzene, toluene, xylenes, cumene, olefins, pyrolysis gasoline</i>)</li> <li>• Natural gas liquids</li> </ul>
Process temperature (Carbon steel flanges)	-29 °C to 60 °C (-20 °F to 140 °F)
Optional process temperature (Carbon steel flanges)	-29 °C to 204 °C (-20 °F to 400 °F)
Process temperature (Stainless steel flanges)	-40 °C to 60 °C (-40 °F to 140 °F)
Optional process temperature (Stainless steel flanges)	-40 °C to 204 °C (-40 °F to 400 °F)
Fluid static pressure	The maximum working pressure for the Daniel Series 1500 Liquid Turbine Meter is based on the temperature/pressure rating of the ANSI B16.5 flanges. For maximum working pressures at intermediate temperatures refer to ANSI B16.5.
Fluid flow rate	7.0 GPM – 400 GPM
Pressure drop	At maximum flow of normal flow range on water 6.5 psi.
Ambient temperature	-40 °C to 60 °C (-40 °F to 140 °F) ( $T_{amb}$ is an electrical specification)

**Note**

Remote mount the LME when the ambient temperature is above 60 °C (140 °F).

## 2.1.1 Design considerations

Some conditions to consider:

- Service operating pressure
- Service testing pressures
- Service process temperature and ambient site temperatures
- Chemical composition and fluid toxicity in operating conditions
- Traffic, wind and earthquake at loading site
- Adverse force or stress caused by inadequate supports, attachments, piping, etc.
- Corrosion, erosion, fatigue, etc.
- Decomposition of unstable fluids in operating and test conditions
- Possible damage from external fire
- Mass of fluid in process and test conditions

**⚠ WARNING!**

**FUNCTIONAL AND ENVIRONMENTAL HAZARD**

Evaluate the functional and environmental conditions prior to installing a turbine meter. Install the turbine meter in a well designed piping system.

Failure to comply may result in death or serious injury.

## 2.1.2 Environmental conditions

**⚠ WARNING!**

**EQUIPMENT HAZARD**

Never use this equipment for any purpose other than its intended use.

Failure to comply may result in death, serious injury and/or property damage.

**Table 2-2: Environmental conditions**

Parameter type	Description
Maximum working pressure	This is based on the temperature and pressure rating of the ANSI B16.5 flanges.
Severe service conditions	Ensure that piping or other attachments connected to the turbine meter are not under stress. The design of the turbine meter has not been assessed for the effects of wind, earthquake loading and/or other severe weather conditions.



**Table 2-2: Environmental conditions (continued)**

Parameter type	Description
Corrosive service	Select the material compatible with specific processes and atmospheric environments. Implement a periodic inspection and maintenance program to ensure that pressure-retaining components are free from corrosion and erosion.
Low and freezing temperatures	Low specific gravities or high viscosities reduce the flow range of the turbine meter. Refer to <a href="#">Section 2.1.3</a> for more information.
Populated areas	For new installations, locate the turbine meter to an area that has fewer than 10 buildings intended for human occupancy, within an area that extends 200 meters (220 yards) radially from the turbine meter. (Reference: Class 1 location. U.S. DOT, CFR Title 49: Part 192.5)
Closed, poorly ventilated areas and combustion sources	Install the turbine meter in a well ventilated area, not less than one meter (approximately 3 feet) from source of ignition or source of heat which might damage the unit.
Elevation	No limit.
Humidity	No limit.
Proximity to open flame	Provide fire prevention measures and equipment per local regulations.
Proximity to vehicular traffic	The design of the turbine meter has not been assessed for the effects of traffic loads.

### 2.1.3 Operating parameters for the LTM

Turbulent flow is detrimental and affects turbine meter linearity<sup>(1)</sup>. It can cause non-homogeneous fluid cross-section and inconsistent back pressure, possibly resulting in cavitation<sup>(2)</sup>. To correct the flow characteristics, use upstream and downstream piping lengths per [Figure 2-3](#).

Pipe fittings such as elbows and tees, and piping components such as valves and strainers should be located far enough upstream to dissipate any flow disturbance before it reaches the turbine meter. The use of flow straighteners or a flow conditioning plate greatly influences turbine meter performance.

#### Specific gravity

The turbine meter is affected by specific gravity which may influence performance. The effect of specific gravity on the turbine meter may be evidenced when it is below 0.7. As specific gravity decreases, the lift forces on the turbine blade decreases. Likewise as

- (1) *Linearity is the total range of deviation of accuracy, expressed as a curve, between minimum and maximum flow rates. The ideal accuracy curve of a volumetric meter, such as the turbine, is a straight line denoting a constant meter factor.*
- (2) *Cavitation is the formation and collapse of vapor-filled cavities that result from a sudden decrease and increase in pressure. Refer to [Back pressure calculation](#) for more information.*

velocity decreases, lift forces decrease. These reduced lift forces are overtaken by bearing friction as low rates are approached. Subsequently, linearity deteriorates at low flow rates while measuring light fluids.

### Viscosity

Turbine meters are viscosity sensitive. As the metered fluid increases in viscosity, meter linearity declines. This effect on linearity is primarily due to a change in the fluid's velocity profile and skin friction between the fluid and the rotor blades.

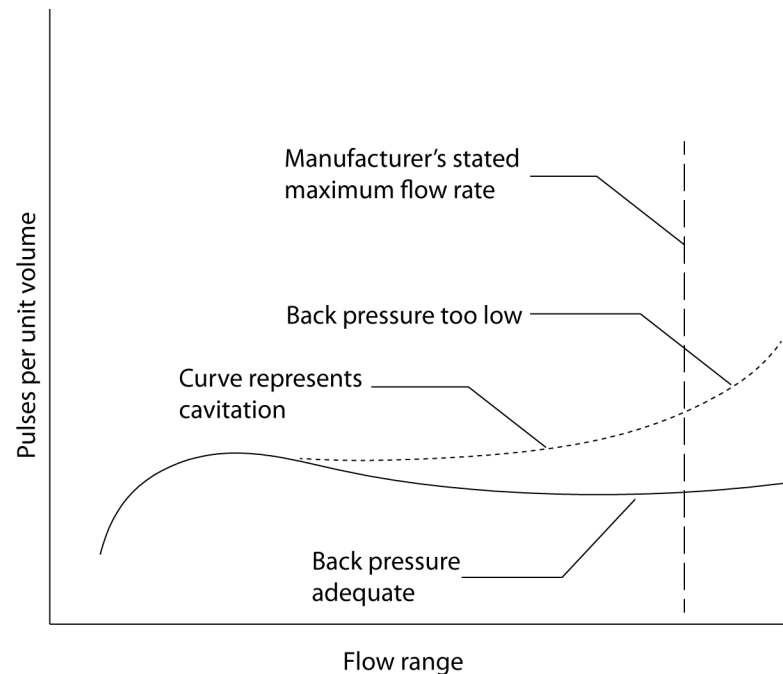
Viscosities of 3 centipoise or less are seldom cause for concern. Consider all influential factors of higher levels. By anticipating the viscosity, maximum flow rate, flow range and desired linearity of the flow system, the user is able to determine the appropriate turbine meter for the application.

### Back pressure

Maintain sufficient back pressure on the turbine meter to prevent flashing and cavitation. This is particularly important when measuring liquids with high vapor pressures, such as LPGs.

*Figure 2-1* illustrates the effects of back pressure. Insufficient back pressure leads to measurement inaccuracy. The resulting flashing and cavitation is extremely damaging to the flow meter and pipe work.

**Figure 2-1: Effects of back pressure**



## Back pressure calculation

---

### Equation 2-1: Back pressure calculation

$$P_b \geq 2 \Delta p + 1.25p_e$$

- $P_b$  Minimum back pressure, pounds per square inch gauge (psig).
- $\Delta p$  Pressure drop through the meter at the maximum operating flow rate for the liquid being measured, pounds per square inch (psi).
- $P_e$  Equilibrium vapor pressure of the liquid at the operating temperature, pounds per square inch absolute (psia), gauge pressure plus atmospheric pressure.
- 

## Additional devices for accurate measurement

### Valves

The metering system should have a flow rate control valve located at a convenient distance downstream of all measurement equipment. The function of the control valve is to limit and maintain system pressure on the meter. This avoids cavitation.

Valves should be capable of rapid, smooth opening and closing with positive shut-off.

- When used for intermittent flow, valves should be fast-acting and shock-free.
- Bypass lines should be equipped with blind or positive shutoff devices.
- Shut-off or control valves should be located downstream of the turbine meter.

### Flow straightening devices

For accurate operation of the turbine meter, a flow conditioning plate, flow straightener (designed for the turbine meter), or a straight run of pipe (20 pipe diameters long) is required. All piping must be the same diameter as the turbine meter. Flow straightening devices must be installed directly upstream of the turbine meter and should not contain flow restricting devices which could cause reversal of the flow straightening effect.

### Strainers

Install the correct size strainer upstream of the turbine meter to protect it from foreign material damage. Recommended mesh sizes include: 80 mesh for refined products, and 20 to 40 mesh for crude products (depending on the product being measured).

Clean the strainer basket regularly, to prevent filling and rupturing of the screen.

Pressure gauges installed on both sides of the strainer monitor differential pressure across the strainer. High pressure differential caused by filling of the basket or occlusion of foreign material can cause a strainer basket rupture, resulting in possible turbine meter damage.

## 2.2 Specifications for the LTM

### 2.2.1 Interface parameters

**⚠ WARNING!**

**EXCEEDING PARAMETER HAZARD**

**Turbine meter parameters are set for safe equipment use. Do not exceed these parameters.**

**Failure to comply may result in death, serious injury and/or damage to the equipment.**

**Table 2-3: 2818 Dual channel preamplifier performance**

Parameter type	Description
Inputs	Supply voltage: 10-30 VDC Sensor type: Reluctance Signal: Sine wave Preamplifier sensitivity: 40 mV peak to peak minimum Temperature range: -40 °C to 85 °C (-40 °F to 185 °F)
Outputs	Powered pulse output: <ul style="list-style-type: none"> <li>• Type: Square wave</li> <li>• Frequency range: 0 to 5 kHz</li> <li>• Amplitude: 0 to 5 V</li> <li>• 1000 Ohm internal pull-ups, 20 mA, max.</li> </ul>
	Variable voltage output: <ul style="list-style-type: none"> <li>• Type: Square wave</li> <li>• Frequency range: 0 to 5 kHz</li> <li>• Amplitude: 0 to Supply voltage</li> <li>• 1000 Ohm internal pull-ups, 70 mA, max.</li> </ul>
Construction	Delrin housing Solid epoxy encapsulation

**Table 2-4: 2415 Intrinsically safe preamplifier performance**

Parameter type	Description
Inputs	Supply voltage: 13-25 Vdc @ ≤12 mA Sensor type: Reluctance Signal: Sine wave Preamplifier sensitivity: <ul style="list-style-type: none"> <li>• 60 mVpp</li> <li>• 10Hz - 1KHz (60mVpp)</li> <li>• 10Hz - 3KHz (115mVpp)</li> <li>• 10Hz - 5KHz (200mVpp)</li> </ul> Temperature range: -40 °C to 85 °C (-40 °F to 185 °F)

**Table 2-4: 2415 Intrinsically safe preamplifier performance (continued)**

Parameter type	Description
Outputs	Powered pulse output: <ul style="list-style-type: none"> <li>Type: Square wave</li> <li>Frequency range: ~5 Hz to 5 kHz</li> <li>Amplitude: 0 to 5 V</li> </ul>
Construction	Delrin housing Solid epoxy encapsulation

**Table 2-5: 1815B Zero crossing preamplifier performance**

Parameter type	Description
Inputs	Supply voltage: 14-30 VDC Sensor type: Reluctance Signal: Sine wave Preamplifier sensitivity: 40 mVpp Temperature range: -40 °C to 85 °C (-40 °F to 185 °F)
Outputs	Powered pulse output: <ul style="list-style-type: none"> <li>Type: Square wave</li> <li>Frequency range: ≤ 5 kHz</li> <li>Amplitude: 0-12 V</li> </ul>
Construction	Delrin housing Solid epoxy encapsulation

**Table 2-6: 1817X Bi-directional preamplifier performance**

Parameter type	Description
Inputs	Supply voltage: 11.5-36 VDC Sensor type: Reluctance Signal: Sine wave Preamplifier sensitivity: 40 mVpp Temperature range: -40 °C to 85 °C (-40 °F to 185 °F)
Outputs	Powered pulse output: <ul style="list-style-type: none"> <li>Type: Square wave</li> <li>Frequency range: ≤ 5 kHz</li> <li>Amplitude: 0-Vs</li> </ul>
Construction	Delrin housing Solid epoxy encapsulation

## Wiring and cable connections

The pickoff input signal connections are made at terminal strip connection TB2 for Channel A, and TB3 for Channel B. Power supply and output signal connections are made at terminal strip TB1. Refer to [Table 2-7](#), [Table 2-8](#), [Table 2-9](#) and [Table 2-10](#).

### Important

- For single channel wiring use multi-conductor control and instrumentation cable (18AWG), or equivalent.
- Earth ground shield at one end only.
- Insulate the shield at the other end.
- For dual channel wiring use multi-conductor control and instrumentation cable (18AWG), or equivalent.
- Connect both shields to earth ground at one end of the cables and insulate the shields at the other end.
- The LME housing should be at earth ground.

**Table 2-7: 2818 Dual channel preamplifier configuration**

Plug component designator	Terminal connections	Description
TB1 - Customer connection	1	+10 to 30 Vdc
	2	Common
	3	Common
	4	Channel A output
	5	Channel B output
	6	TTL out A
	7	TTL out B
TB2 - Channel A pickoff (1)	1	White
	2	Red
TB3 - Channel B pickoff (1)	1	White
	2	Red

**Table 2-8: 2415 Intrinsically safe preamplifier configuration**

Designator	Terminal connections	Description
Customer connection	1	Supply voltage
	2	Common
	3	Output signal (half frequency)
	4	Output signal
Pickoff (1)	5	White
	6	Red

**Table 2-9: 1815B Zero crossing preamplifier configuration**

Designator	Terminal connections	Description
Customer connection	1	Supply voltage
	2	Common
	3	Output signal (x1)
	4	Output signal (x2)
Pickoff (1)	5	White
	6	Red

**Table 2-10: 1817X Bi-directional preamplifier configuration**

Designator	Terminal connections	Description	
Customer connection	1	Supply voltage	
	2	Common	
	3 Direction	Forward (A before B):	OVDC, OC
		Reverse (B before A):	Vs, OC
	4	Channel A output	
	5	Channel B output	
6	Optional (X2)		
Pickoff (2)	7	White	
	8	Red	
	9	White	
	10	Red	

### Pickoff coils

The Series 1500 LTM has the capacity for dual pickoff coils mounted 90° electrically out of phase. Each pickoff produces a low level sine wave signal which varies in amplitude (mV) and frequency (Hz) proportional to the velocity of the turbine blades. This signal information is coupled to the input terminals of the preamplifier.

The optional dual LME LTM can be configured with four pickoff coils, each pair mounted 90° electrically out of phase.

### Induced interference

The LTM should be located as far as possible from any electrical equipment such as motors, solenoids or relays which could induce an interference signal into the turbine meter pickoff coil. High amplitude interference introduced into the preamplifier can result in interference with the flow signal. Proper shielding and an earth grounded LME housing will greatly reduce the possibility of induced interference.

### Accessory hookup

It is important that the correct service manual be referenced before attempting to use accessories or instrumentation with the Series 1500 LTM. Contact the factory or nearest Daniel Measurement and Control Sales and Service Office if service manuals for were not received at the time of purchase or delivery.

### LTM flange type

The mechanical connections for a Series 1500 LTM NPS 1 through 2.5 are standard class 150, 300, 600, 900, and 1500 ANSI R.F. flanges, which are available only in stainless steel. Other types of flange connections are available per customer request. For other ANSI ratings or flanges consult the factory engineers. For maximum working pressures at intermediate temperatures refer to ANSI B16.5.

#### **⚠ WARNING!**

#### **HIGH PRESSURE HAZARD**

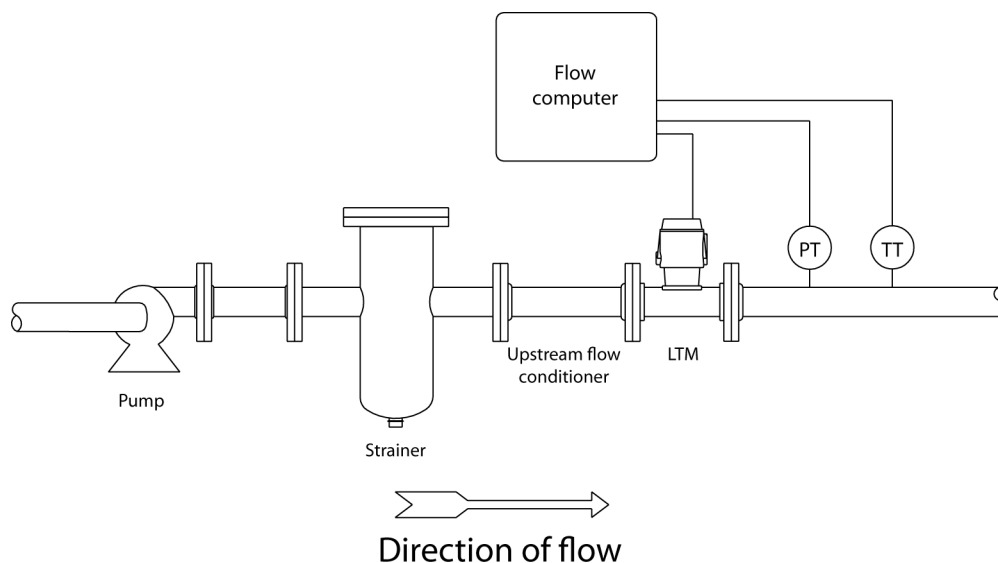
**Choose the appropriate size and material of the flange for their piping requirements.**

**Choosing an incorrect flange may cause a pressure leak, resulting in death or serious injury.**

## 2.2.2

### Requirements and limitations for installation

**Figure 2-2: Typical installation for a Series 1500 LTM**



- Note the direction of flow indicated on the plate near the inlet flange and install accordingly.
- New installations: Flush lines thoroughly to rid piping of potentially damaging foreign material such as welding bead, pipe scale, etc. before the turbine meter is placed into service.



**Important**

A spool piece installed in place of the turbine meter is recommended for this procedure.

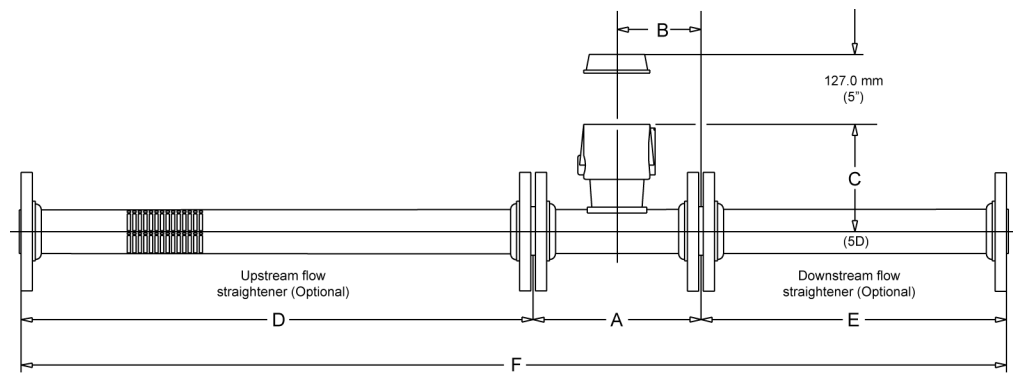
**NOTICE**

Comply with local government regulations and company requirements.

## Minimum clearances for installation, operation and maintenance

Below is the approximate shipping dimensions and weight for the Series 1500 LTM NPS 1-2.5. Consult the factory for certified dimension prints.

**Figure 2-3: Dimensions for the Series 1500 LTM NPS 1-2.5**



**Note**

The upstream pipe should have the same nominal diameters as the turbine meter. If no integral flow conditioner is used, the minimum length of this pipe should be 20 times the nominal meter diameter.

If an integral flow conditioner such as a concentric tube bundle is used, this length can decrease to a minimum of 10 times the nominal meter diameter.

**Table 2-11: Flow meter and flow straightening section dimensions for the Series 1500 LTM NPS 1-2.5**

Size	A		B		C	
	Inches	mm	Inches	mm	Inches	mm
1	8	203.2	4	101.6	10	259.6
1.5	9	228.6	4.5	114.3	11	269.1
2	9	228.6	4.5	114.3	11	269.1
2.5	10	254.0	5	127.0	11	280.2

**Table 2-12: Flow meter and flow straightening section dimensions for the Series 1500 LTM NPS 1-2.5**

Size	D		E		F	
	Inches	mm	Inches	mm	Inches	mm
1	20	508	5	127	33	838.2
1.5	30	762	7.5	191	47	1181.1
2	20	508	10	254	39	990.6
2.5	25	635	12.5	318	48	1206.5

**Table 2-13: Weight table for the stainless steel LME**

Size	ANSI class 150		ANSI class 300		ANSI class 600	
	Lbs	Kg	Lbs	Kg	Lbs	Kg
1	21	9.6	23	10.6	26	11.6
1.5	28	12.6	31	14.1	34	15.6
2	30	13.6	32	14.6	37	16.6
2.5	39	17.6	45	20.6	50	22.6

## 3 Turbine meter handling

### Topics covered in this chapter:

- [Receive the turbine meter](#)
- [Store the turbine meter](#)

### 3.1 Receive the turbine meter

#### **⚠ WARNING!**

#### **EQUIPMENT HANDLING AND OPERATING HAZARD**

**Wear personal protective equipment appropriate to the situation when working with the turbine meter. Adhere to all safety standards and best practices for operating the equipment.**

**Failure to comply may result in death or serious injury.**

#### 3.1.1 Unpack and inspect the turbine meter

Inspect the turbine meter upon receiving at the customer facility.

1. Remove the turbine meter from the shipping container.
2. Inspect the turbine meter for damage.
3. See [Chapter 6](#) for Installation procedure.

### 3.2 Store the turbine meter

#### 3.2.1 Rust inhibitor

Apply light oil or rust inhibitor on surfaces that are in contact with the environment only if the turbine meter body is carbon steel.

#### 3.2.2 Pack the turbine meter

1. Use stretch wrap (not adhesive) to attach the correct size flange cover to the turbine meter end flanges. This protects the unpainted surfaces of the flange sealing.
2. A flush contact between the flange cover and the flange sealing face is important.

#### 3.2.3 Storage conditions

Store the turbine meter in a safe area to avoid damage.

**⚠ WARNING!**

**CRUSHING HAZARD**

During turbine meter installation or removal, always place the unit on a stable platform or surface that supports its assembled weight.

Failure to comply could allow the turbine meter to roll, resulting in death, serious injury or equipment damage.

**Table 3-1: Meter storage conditions**

Parameter type	Description
Storage environment	For long term storage, it is recommended that the complete meter housing assembly be stored under cover in a controlled environmental atmosphere in the original packaging. The storage temperature limits are -40 °C to 60 °C (-40 °F to 140 °F).
Shelf life for elastomers	Elastomers are only installed in a flameproof pad and a threaded top cover. These parts are not considered to be under pressure in normal conditions. O-rings must be inspected for wear or damage during disassembly of the cover or housing and right before assembling the unit. If any elastomer is damaged, it must be replaced. FKM elastomers have an unlimited shelf life.
Lubrication	The LME is offered in stainless steel. Use petroleum jelly lubrication when assembling the cover to the LME housing. Other components, except O-rings do not require lubrication.
Inspect stored equipment	Examine the internal surfaces and flange faces of the turbine meter at least once every three months. Repack the turbine meter per original conditions.
Labels and nameplates	Do not remove nameplates or labels. Doing so will void the turbine meter warranty.
Stacking	When stacking equipment, follow all safety standards, taking into account the type of box used, the maximum height of the equipment, the maximum number of boxes stacked, etc.

# 4 Prepare the turbine meter for use

## Topics covered in this chapter:

- *Lifting conditions*
- *Lifting requirements for personnel*
- *Configuration of the turbine meter*

## 4.1 Lifting conditions

### ⚠ WARNING!

#### CRUSHING HAZARD

During turbine meter installation or removal, always place the unit on a stable platform or surface that supports its assembled weight.

Failure to comply could allow the turbine meter to roll, resulting in death, serious injury or equipment damage.

### ⚠ WARNING!

#### LIFTING HAZARD

The lifting instructions are for installation and removal of the Daniel Liquid Turbine Meter only and do not address lifting the turbine meter while it is attached or bolted to piping.

Failure to comply with these instructions may result in death, serious injury, or equipment damage.

### ⚠ CAUTION!

#### FORKLIFT HAZARD

Do not insert the forks of a forklift into the bore when moving the turbine meter.

Inserting the forks may cause the meter to become unstable, resulting in serious injury or equipment damage.

**Table 4-1: Lifting and installation conditions**

Conditions	Description
Lighting and ventilation	Install the turbine meter in a well lit and ventilated location, not less than one meter (approximately three feet) from source of ignition or source of heat which might damage the unit.

**Table 4-1: Lifting and installation conditions (continued)**

Conditions	Description
Work area clearances and installation height restrictions	Refer to <a href="#">Minimum clearances for installation, operation and maintenance</a> for clearances.
Surface considerations	Stable surface.
Soil/floor loadings and product/piping support	Follow local procedures that meet the standards for soil/floor loading and product/piping support.

## 4.2 Lifting requirements for personnel

### **⚠ WARNING!**

#### **EQUIPMENT HANDLING AND OPERATING HAZARD**

Wear personal protective equipment appropriate to the situation when working with the turbine meter. Adhere to all safety standards and best practices for operating the equipment.

Failure to comply may result in death or serious injury.

---

#### **Best lifting practices**

### **⚠ WARNING!**

#### **LIFTING HAZARD**

The lifting instructions are for installation and removal of the Daniel Liquid Turbine Meter only and do not address lifting the turbine meter while it is attached or bolted to piping.

Failure to comply with these instructions may result in death, serious injury, or equipment damage.

---

### 4.2.1 Equipment required to lift the turbine meter

### **⚠ WARNING!**

#### **CRUSHING HAZARD**

During turbine meter installation or removal, always place the unit on a stable platform or surface that supports its assembled weight.

Failure to comply could allow the turbine meter to roll, resulting in death, serious injury or equipment damage.

---

---

**Important**

Prior to lifting the unit refer to *Minimum clearances for installation, operation and maintenance* for the assemble weight.

---

The following instructions provide general guidelines using lifting slings only on the Daniel turbine meter. Use appropriately rated lifting slings when lifting the turbine meter.

## Safety precautions using appropriately rated lifting slings

When lifting a liquid turbine meter by itself, Daniel recommends using lifting slings appropriately positioned at designated areas of the turbine meter.

### **⚠ WARNING!**

#### **LIFTING HAZARD**

**The lifting instructions are for installation and removal of the Daniel Liquid Turbine Meter only and do not address lifting the turbine meter while it is attached or bolted to piping.**

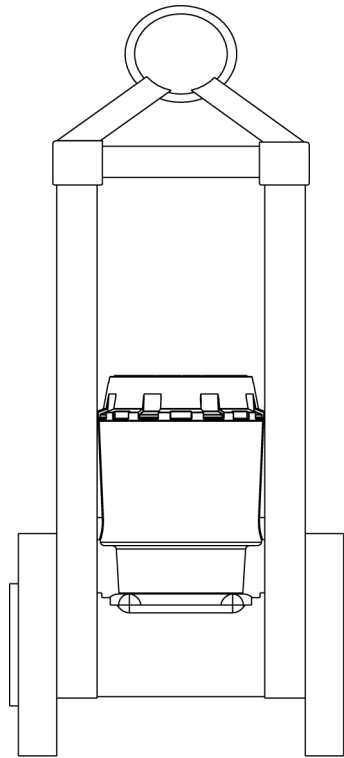
**Failure to comply with these instructions may result in death, serious injury, or equipment damage.**

---

Read and follow the safety precautions listed below.

- Never attempt to lift the turbine meter by wrapping slings around the electronics enclosure.
- Never attempt to lift the turbine meter using only one sling around the turbine meter. Always use two slings wrapped around each end of the body (refer to Figure 4-2). A choker style sling with a spreader bar is recommended.

**Figure 4-1: Correct sling attachment**



- Prior to use, visually inspect the slings for any signs of abrasion or other damage. Refer to the sling manufacturer for inspection procedure specific to the sling you are using.
- Only use slings with ratings that exceed the weight to be lifted. Reference your company's standards for safety factors that must be included when calculating the load rating.
- If the slings do come in contact with the electronics, use a spreader bar on the sling to prevent contact with the electronics.

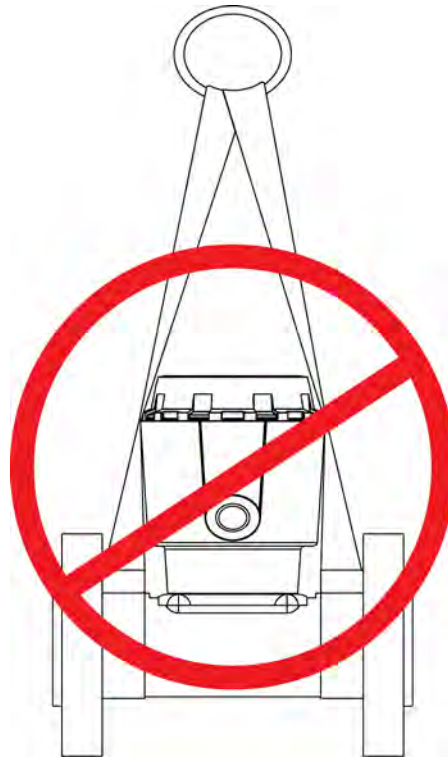
---

**Important**

Never allow the slings to come in contact with the electronics enclosure. Damage to the enclosure may occur.

---



**Figure 4-2: Incorrect sling attachment****▲ CAUTION!****LIFTING HAZARD**

**Lifting the turbine meter with the upper enclosure installed but without the bolts installed, may cause the electronics to fall.**

**Doing this may cause injury and/or damage the equipment.**

- Never apply shock loads to the turbine meter. Always lift the turbine meter gradually. If shock loading occurs, inspect the slings per manufacturer's recommendations prior to further use.

## 4.3 Configuration of the turbine meter

The Daniel factory configures the turbine meter internal components. Inspect the internal components before installation.

## 4.3.1 Orientation and position of the turbine meter

### Flow direction

Turbine meters can be used for uni-directional or bi-directional flows. The design of the internal features of the meter housing and the internal components depend on the desired configuration. Install the LTM carefully so it complies with the correct inlet and outlet sides (See label on the turbine meter for inlet direction).

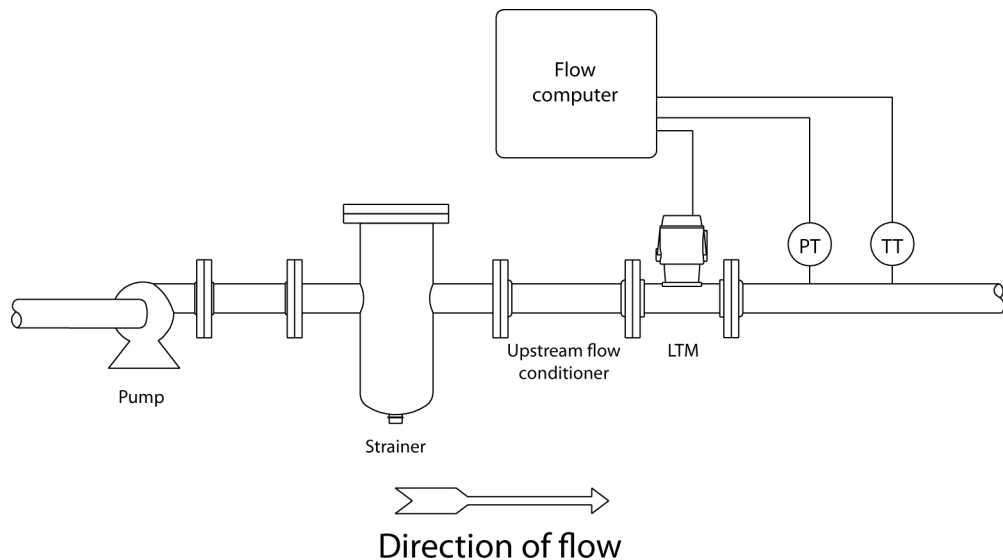
### Flow conditioning

The flow stream must be free of swirl for a turbine meter to perform consistently and accurately. The internal assembly supports of a turbine meter offer a slight straightening effect. If additional flow conditioning is required, use straightening vanes or tube bundles. Refer to API MPMS, Chapter 5, Section 3.

For turbine flow meters NPS 1 and 1.5 and less, straightening vanes are not normally used.

## 4.3.2 Piping recommendations

**Figure 4-3: Typical installation for a Series 1500 LTM**



- Note the direction of flow indicated on the plate near the inlet flange and install accordingly.
- New installations: Flush lines thoroughly to rid piping of potentially damaging foreign material such as welding bead, pipe scale, etc. before the turbine meter is placed into service.

### Important

A spool piece installed in place of the turbine meter is recommended for this procedure.

**NOTICE**

**Comply with local government regulations and company requirements.**

**Important**

Ensure that piping or other attachments connected to the turbine meter are not under stress.

**Important**

Provide fire prevention measures and equipment per local regulations.

### 4.3.3 Calibration options for the turbine meter

Daniel offers a standard six-point calibration (from 10% to 100%); or can provide other customer requested calibration data.

**Table 4-2: Standard calibration for a Daniel Liquid Turbine Meter**

Calibration type	Description
Linearity	NPS 1-2.5 $\pm$ 0.25%: Standard NPS 1-2.5 $\pm$ 0.15%: Premium
Repeatability	$\pm$ 0.02%

### 4.3.4 Preamplifier power requirements

**Table 4-3: Preamplifier power requirements**

Power requirement type	Description	
Pickoff	<ul style="list-style-type: none"> <li>Type: 2-wire reluctance</li> <li>Resistance: 600-900 Ohms</li> <li>Inductance: 250 mH max</li> <li>Output: Sinusoidal 40mV p-p minimum @ minimum flow with preamplifier load</li> <li>Optional: 2, 3* or 4* pickoff coils *with dual LME</li> </ul>	
Dual channel preamplifier	Inputs	Supply voltage: 10-30 VDC Sensor type: Reluctance Signal: Sine wave Preamplifier sensitivity: 40 mV peak to peak minimum Temperature range: -40 °C to 85 °C (-40 °F to 185 °F)
	Outputs	Powered pulse output: <ul style="list-style-type: none"> <li>Type: Square wave</li> <li>Frequency range: 0 to 5 kHz</li> <li>Amplitude: 0 to 5 V</li> <li>1000 Ohm internal pull-ups, 20 mA, max.</li> </ul>

**Table 4-3: Preamplifier power requirements (continued)**

Power requirement type	Description	
		Variable voltage output: <ul style="list-style-type: none"> <li>• Type: Square wave</li> <li>• Frequency range: 0 to 5 kHz</li> <li>• Amplitude: 0 to Supply voltage</li> <li>• 1000 Ohm internal pull-ups, 70 mA, max.</li> </ul>
Intrinsically safe preamplifier	Inputs	Supply voltage: 13-25 Vdc @ ≤12 mA Sensor type: Reluctance Signal: Sine wave Preamplifier sensitivity: <ul style="list-style-type: none"> <li>• 60 mVpp</li> <li>• 10Hz - 1KHz (60mVpp)</li> <li>• 10Hz - 3KHz (115mVpp)</li> <li>• 10Hz - 5KHz (200mVpp)</li> </ul> Temperature range: -40 °C to 85 °C (-40 °F to 185 °F)
	Outputs	Powered pulse output: <ul style="list-style-type: none"> <li>• Type: Square wave</li> <li>• Frequency range: ~5 Hz to 5 kHz</li> <li>• Amplitude: 0 to 5 V</li> </ul>
Zero crossing preamplifier	Inputs	Supply voltage: 14-30 VDC Sensor type: Reluctance Signal: Sine wave Preamplifier sensitivity: 40 mVpp Temperature range: -40 °C to 85 °C (-40 °F to 185 °F)
	Outputs	Powered pulse output: <ul style="list-style-type: none"> <li>• Type: Square wave</li> <li>• Frequency range: ≤ 5 kHz</li> <li>• Amplitude: 0-12 V</li> </ul>
Bi-directional preamplifier	Inputs	Supply voltage: 11.5-36 VDC Sensor type: Reluctance Signal: Sine wave Preamplifier sensitivity: 40 mVpp Temperature range: -40 °C to 85 °C (-40 °F to 185 °F)
	Outputs	Powered pulse output: <ul style="list-style-type: none"> <li>• Type: Square wave</li> <li>• Frequency range: ≤ 5 kHz</li> <li>• Amplitude: 0-Vs</li> </ul>

## 4.3.5 Grounding

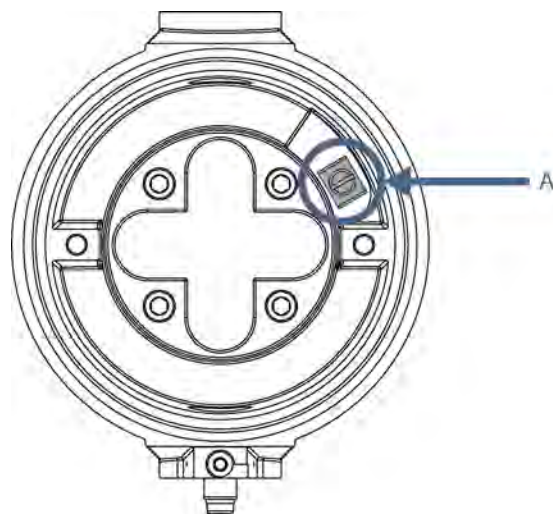
Ground the turbine meter electronics internally for safe operation. Connect a wire to the chassis ground lug located inside the LME as the primary ground. A secondary ground is located outside of the LME. Refer to [Figure 4-4](#) and [Figure 4-5](#). Digital grounds should never be connected to chassis ground.

**Figure 4-4: External ground lug**



A. External ground lug

**Figure 4-5: Internal ground lug**



A. Internal ground lug

---

**Important**

Use the internal grounding terminal as the primary equipment ground. The external terminal is only a supplemental bonding connection where local authorities permit or require such a connection.

---

## 4.3.6 LME communication connectivity restrictions

The pickoff input signal connections are made at terminal strip connection TB2 for Channel A, and TB3 for Channel B. Power supply and output signal connections are made at terminal strip TB1. Refer to [Table 2-7](#), [Table 2-8](#), [Table 2-9](#) and [Table 2-10](#).

---

**Important**

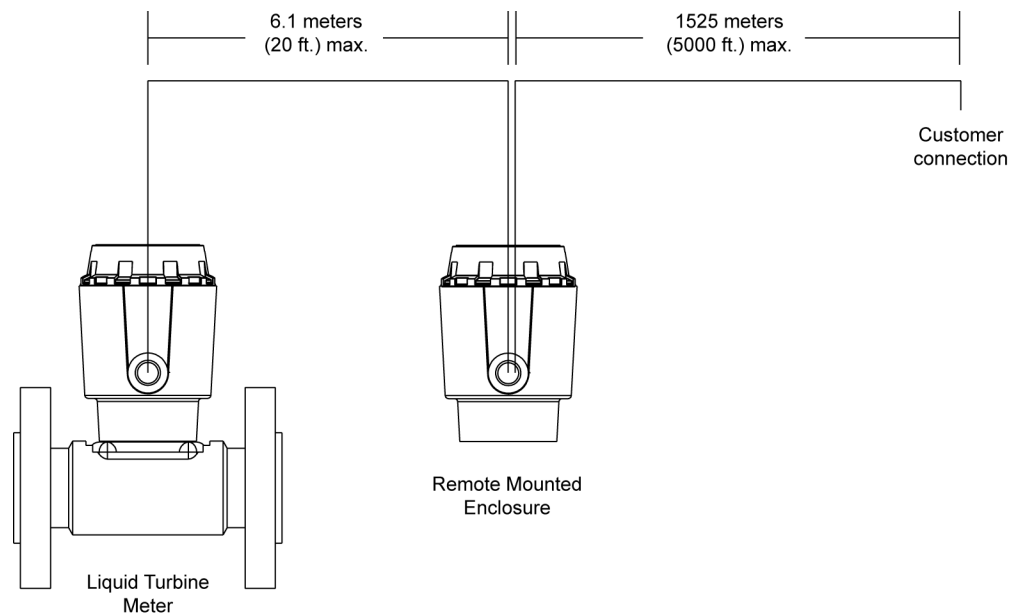
- For single channel wiring use multi-conductor control and instrumentation cable (18AWG), or equivalent.
  - Earth ground shield at one end only.
  - Insulate the shield at the other end.
  - For dual channel wiring use multi-conductor control and instrumentation cable (18AWG), or equivalent.
  - Connect both shields to earth ground at one end of the cables and insulate the shields at the other end.
  - The LME housing should be at earth ground.
- 

## 4.3.7 RME communication connectivity restrictions

The RME must follow all the connectivity restrictions that are applicable to the LME as well as the transmission distance restrictions listed on [Table 4-4](#).

**Table 4-4: Installation dimensions for the RME**

Device	Transmission distance
Pickoff to RME	6.1 meters (20 ft.) maximum from RME dual channel
Preamplifier to receiver	1525 meters (5,000 ft.) maximum

**Figure 4-6: Typical installation for the RME**

### 4.3.8 Install the security seal

Security seals protect the integrity of the turbine meter metrology and prevent preamplifier and pickoff tampering. Follow the steps below to seal the electronics enclosure of the Daniel 1500 LTM after commissioning. The security seal wires are commercially available.

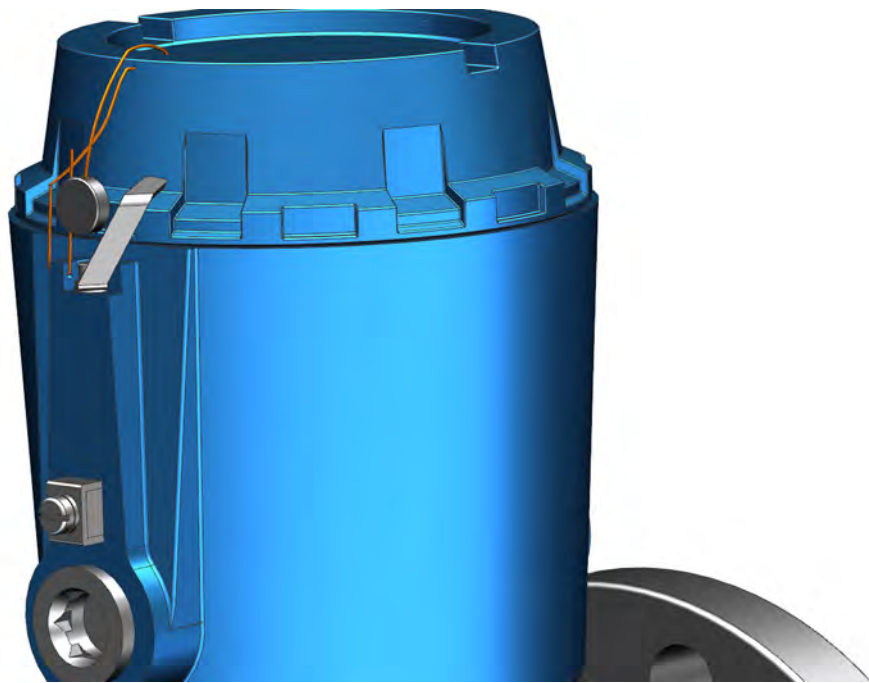
#### **⚠ CAUTION!**

##### **CUTTING HAZARD**

**Sharp edges may be present on the band shrouds. Wear appropriate personal protective equipment when working on the turbine meter.**

**Failure to comply may cause serious injury.**

**Figure 4-7: Security seal wire**



Follow the steps below to seal the electronics enclosure.

**Procedure**

1. Rotate the end cap clockwise, fully closing and compressing the end cap seal. Install the security latch using a 3mm Allen wrench.
2. Install the security seal wire into and through one of the two holes in the end cap and the housing. Choose holes that minimize counterclockwise rotation of the end cap when the security wire is taut (maximum wire diameter 2.0 mm, .078 inch).
3. Adjust the security wire, removing all slack and thread into the lead seal.
4. Cut the ends of the wire to remove any excess wire.



# Part II

## Install

### Chapters covered in this part:

- *Installation prerequisites*
- *Installation procedure*
- *Testing*



# 5 Installation prerequisites

## Topics covered in this chapter:

- *Pre-start checks*
- *Torque information*
- *Tools required for LME disassembly/assembly*

## 5.1 Pre-start checks

1. Inspect all electrical connections to ensure compliance to electrical codes and safety regulations.
2. Inspect all bolts used to secure the turbine meter in line to ensure that correct mounting procedures have been followed and that flange connections are leak-free.
3. Evaluate the system setup to ensure that all components are in the correct sequence for accurate product measurement: isolation valve, strainer, flow straightener, turbine meter, downstream section, control valve, etc.
4. Ensure that the supply voltage to the preamplifier is within the 10-30 VDC range.

## 5.2 Torque information

---

### Important

Ensure that piping or other attachments connected to the turbine meter are not under stress.

---

### NOTICE

**When installing this equipment, bolting must conform to the requirements of ASME B16.5 paragraph 5.3 and to the material requirements of ASME B16.5 Table 1B. Gaskets must conform to the requirements of ASME B16.20. This is applicable for class 150 to 2500. Consult factory for higher nominal pressure.**

---

### Important

When installing flange, follow the customer's best internal practice procedures.

---

## 5.3 Tools required for LME disassembly/assembly

Use the following tools for disassembly/assembly of the turbine meter electronics (LME):

- 6 mm Allen key
- 3 mm Allen key
- 2.5 mm Allen key

- 3/32 Allen key
- 10 mm Allen key
- Phillips screwdriver
- 3.5 mm Flathead screwdriver
- 10 mm Flathead screwdriver

## 6 Installation procedure

### Topics covered in this chapter:

- *Cathodic protection*
- *Mechanical components assembly*
- *Assemble the electronic components*

### 6.1 Cathodic protection

**Table 6-1: Standards for cathodic protection**

Material	Daniel standard cathodic protection <sup>(1)</sup>
Carbon steel	Zinc Phosphate

(1) Consult the factory for other protection.

### 6.2 Mechanical components assembly

Install the meter housing (e.g., flanges) onto the pipeline.

The meter housing internal components are assembled by the factory. The components do not need to be uninstalled or reinstalled unless maintenance is required.

#### 6.2.1 Fasteners

Property class of the fastener is in accordance with ASME B16.5.

##### Stud bolt and nut types

All fasteners (nuts and studs) used in assembling Daniel turbine meters are made of one of the materials listed in the table below.

**Table 6-2: Bolt material selection**

Bolt material selection	Description
ASTM SA 193 Grade B7 <63.5 mm (<2.5 in.)	High strength low alloy steel
ASTM SA 193 Grade B7M <63.5 mm (<2.5 in.)	Controlled strength low alloy steel
ASTM SA 320 Grade L7 <63.5 mm (<2.5 in.)	High strength low alloy low temperature steel
ASTM SA 320 Grade L7M <63.5 mm (<2.5 in.)	Controlled hardness low temperature steel
ASTM SA 449 <25.4 mm (<1.0 in.)	Quenched and tempered steel

**Table 6-2: Bolt material selection (continued)**

Bolt material selection	Description
ASTM SA 453 Grade 660	High temperature stainless steel

### Selection of flange stud bolts and nuts

- Select all fasteners (nuts and studs) used in a hydrostatic test according to the flange size and quantity listed in ASME ANSI B16.5.
- Use the shortest stud bolt that permits full engagement of the thread through the nut by hand-tightening.
- Use only clean, rust-free nuts and stud bolts.

### Important

Ensure that once the nut is tightened, two threads outside the nut are exposed. The only exception is when a flange requires hydraulic bolt tensioning. The manufacturer of the hydraulic bolt tensioning equipment will specify number of exposed threads outside the nut.

- Do not use damaged or worn stud bolts or nuts.
- Do not use nuts or stud bolts that do not fit correctly together.
- Do not use nuts or stud bolts without grade or type identification.
- Do not mix nuts or stud bolts of different coatings. Different nut and stud bolt coatings require different torques to achieve the same bolt tension.
- Do not assemble nuts with the identification hard stamp against the back face of the flange

### Flange stud bolt and nut storage

Remove each nut and bolt as a pair. Thread the matching nut back onto the bolt. Stack them in a fashion that will not cause thread damage.

### Reuse of flange stud bolts and nuts

Daniel Quality Control permits the reuse of threaded fasteners under the following conditions:

- Fasteners are clean, free of corrosion, paint, thread damage, cracks, teeth marks (caused by wrenches) or other signs of damage.
- Fasteners are not tightened to or beyond their yield strength.
- Fasteners have not lost their coating.

Compare the threads of a used stud bolt with the thread of a new stud bolt. Finger-tighten the nut over the entire length of the bolt.

## 6.3 Assemble the electronic components

Follow the procedure below to install the LME and/or the RME electronics.

## Prerequisites

### **⚠ WARNING!**

#### **VOLTAGE HAZARD**

**Disconnect equipment from power before opening the LME and/or RME. Do not open them while power is on and an explosive gas atmosphere is present.**

**Failure to comply may result in death or serious injury.**

---

## Procedure

1. Remove the security seal wire.
2. Remove the security latch using the 3 mm Allen key.

---

### **Important**

The security latch prevents the removal of the LME cover in a flameproof environment.

---

3. Unscrew the end cap and remove it from the housing.
4. Unplug one or two  $\frac{3}{4}$ -14 NPT ports (as required) and install the conduit (provided by the customer) to the enclosure and tighten.
5. Install the electronics according to [Wiring and cable connections](#). Consult with Daniel if the preamplifier acquired is other than a dual channel preamplifier.

### **⚠ WARNING!**

#### **SHOCK AND EXPLOSION HAZARD**

**Verify that the LME and/or RME is grounded.**

**Failure to comply may cause death, serious injury and/or equipment damage.**

---

6. Screw the end cap to the housing. Hand-tighten, only if required.
7. Install the security latch.





# 7 Testing

## 7.1 Test the turbine meter

### 7.1.1 Commission the turbine meter

After installation, commission the turbine meter to ensure that the equipment is working properly.

1. Inspect all electrical connections to ensure compliance with electrical codes and safety regulations.
2. Inspect all flange bolts used to secure the turbine meter in-line to ensure that correct mounting procedures are followed and that flange connections are leak-free.
3. Evaluate the system setup to ensure that all components are in the correct sequence for accurate product measurement: isolation valve, strainer, flow straightener, turbine meter, downstream section, control valve, etc.
4. Ensure that the supply voltage to the preamplifier is within the 10-30 VDC range.



# Part III

## Operate



# 8 Operation parameters

## Topics covered in this chapter:

- *Operation overview*
- *Turbine meter normal operation*
- *Back pressure calculation for the LTM*
- *LME remote operation*

## 8.1 Operation overview

The Daniel Series 1500 LTM is a volumetric flow measuring and transmitting device that produces an output signal proportional to the rate-of-flow of the liquid being measured. The primary output is a single or dual high resolution signal that is amplified and shaped by an integral preamplifier mounted within an explosion-proof housing. This square wave pulse can be fed directly to remote totalizers, digital readout devices or control instrumentation.

### **⚠ WARNING!**

#### **EXCEEDING PARAMETER HAZARD**

**Turbine meter parameters are set for safe equipment use. Do not exceed these parameters.**

**Failure to comply may result in death, serious injury and/or damage to the equipment.**

## 8.2 Turbine meter normal operation

After any repair or installation of a new turbine meter, calibrate it to confirm the meter factor or establish a new meter factor for the turbine meter as it is installed at the site.

The customer has various options to calibrate their turbine meter. Either by their on site stationary small volume bidirectional - unidirectional or master meter. This calibration service is also available from Daniel.

During operation, the customer data center will download to the terminal automated system (TAS) the orders to be schedule to the pipeline to various customers. TAS and turbine meter flow computer electronics monitor, control and collect batch volumes on each order and return all information as if it occurs to the TAS or invoicing.

## 8.3 Back pressure calculation for the LTM

Flow and pressure information is stamped on the nameplate located on the outside of the meter.

- Back pressure at the outlet of the turbine meter must be sufficient for accurate operation.
- Consider the following equation when determining back pressure for the turbine meter.

---

### Equation 8-1: Back pressure calculation

$$P_b = 2 \Delta p + 1.25p_e$$

$P_b$  Minimum back pressure, pounds per square inch gauge (psig).

$\Delta p$  Pressure drop through the turbine meter at the maximum operating flow rate for the liquid being measured, pounds per square inch (psi).

$P_e$  Equilibrium vapor pressure of the liquid at the operating temperature, pounds per square inch absolute (psia), gauge pressure plus atmospheric pressure.

- 
- Open valves slowly to prevent system shock.
  - Protect the Series 1500 housing and components from external impact of any kind. Note temperature limitations when selecting turbine meter location.

## 8.4 LME remote operation

---

### Note

LME should be remote mounted when the ambient temperature is above 60 °C (140 °F).

---

The primary output is a single or dual high resolution signal that is amplified and shaped by an integral amplifier mounted within an explosion-proof housing. This wave pulse can be fed directly to remote totalizing counters, digital readout devices, presets, or control instrumentation.

### NOTICE

**Inspect all electrical connections to ensure compliance to electrical codes and safety regulations.**

---

# Part IV

## Maintain

### Chapters covered in this part:

- *Planned maintenance*
- *Corrective maintenance*
- *Spare parts*
- *Decommission the turbine meter*





# 9 Planned maintenance

## Topics covered in this chapter:

- *Maintenance considerations*
- *Tools required for mechanical components*
- *Prepare for mechanical disassembly*
- *Mechanical assembly*
- *Electronics enclosure disassembly*
- *Electronics enclosure assembly*
- *Replace the preamplifier*
- *Planned maintenance tasks*

## 9.1 Maintenance considerations

Read and understand all instructions and operating procedures before performing maintenance procedure, internal component inspections or field requirement changes.

To ensure safe and accurate performance, only informed and trained personnel should install, operate, repair and maintain this product.

---

### **Important**

Follow the disassembly and the assembly procedure for internal component inspection or field requirement changes.

---

Follow the recommendations below before servicing the turbine meter:

- Label all parts or place parts in labeled containers during disassembly.
- Do not use metal clamping devices in direct contact with any turbine meter part or surface.
- Rotor blades determine accurate flow measurement and should be handled with extreme care. Bending or altering the blades in any way can affect turbine meter accuracy.

## 9.2 Tools required for mechanical components

The turbine meter requires a set of tools for assembly or disassembly.

### **Flange installation tools**

Follow all best practice procedures when installing or removing flanges.

### Internal component tools

Use the following tools for turbine meter disassembly:

- Needle nose pliers
- Torque wrench (dependant on size)
- Ratchet with correspondent hex socket (dependant on size), or screwdriver with hexagonal tip
- 3 mm Allen key
- 3.5 mm flathead screwdriver
- Mallet

## 9.3 Prepare for mechanical disassembly

Protect the rotor blades from rough handling. Blade position is critical to turbine meter performance. Before removing the turbine meter from the system, consider the following precautions.

### Prerequisites

#### **⚠ WARNING!**

##### **EQUIPMENT HANDLING AND OPERATING HAZARD**

**Wear personal protective equipment appropriate to the situation when working with the turbine meter. Adhere to all safety standards and best practices for operating the equipment.**

**Failure to comply may result in death or serious injury.**

---

#### **⚠ WARNING!**

##### **PRESSURE HAZARD**

**The turbine meter is subject to pressurized fluids. Depressurize the turbine meter before disassembly.**

**Failure to comply may cause high pressure fluids to leak, resulting in death or serious injury.**

---

#### **⚠ WARNING!**

##### **VOLTAGE HAZARD**

**Disconnect equipment from power before opening the LME and/or RME. Do not open them while power is on and an explosive gas atmosphere is present.**

**Failure to comply may result in death or serious injury.**

---

### Procedure

1. Disconnect all power to the turbine meter and vent all line pressure.

2. Remove security wire.
3. Remove screws and top cover of the LME.
4. Disconnect wire connections from the LME.
5. Disconnect the grounding cables.
6. Disconnect conduit connections to the turbine meter.
7. Remove meter from line. Refer to [Section 4.1](#), [Section 4.2](#) and [Safety precautions using appropriately rated lifting slings](#) for instructions on lifting the turbine meter.

### 9.3.1 Disassemble internal meter housing components - NPS 1

1. Remove the retainer ring from the upstream end of the meter.

**Figure 9-1: Retainer ring removal**

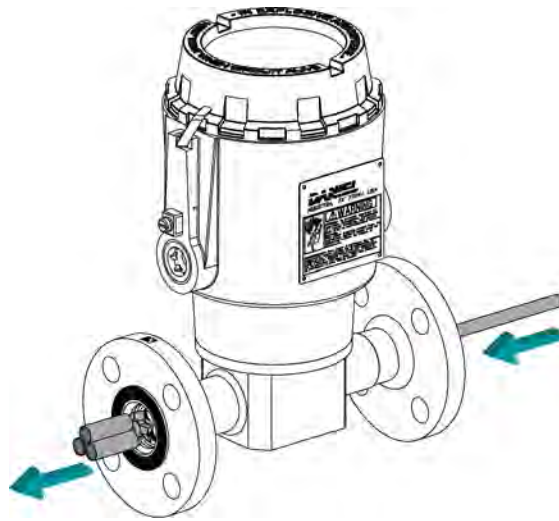


**Note**

The NPS 1 meter has one inlet retainer ring instead of a hex nut as the NPS 1.5, 2 and 2.5.

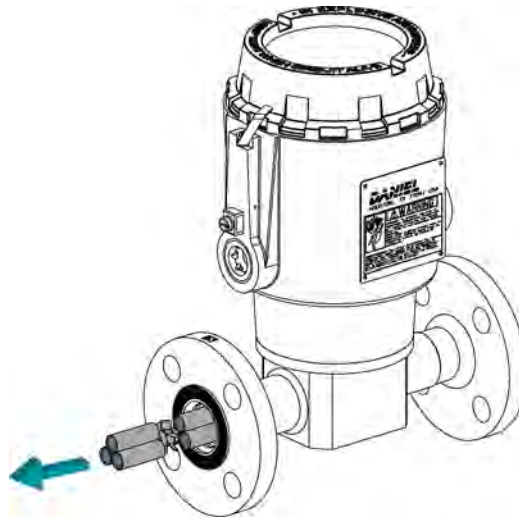
2. Using a long dowel or rod, push the downstream end of the downstream spring clip assembly towards the upstream end of the housing. This will slide the internal assembly and sleeve out of the meter housing.

**Figure 9-2: Internal assembly and sleeve removal**



3. Pull the upstream spring clip assembly away from the downstream spring clip assembly. The shaft with the rotor and journal will stay with either the upstream or downstream spring clip assembly. Remove the downstream spring clip assembly from the upstream end of the housing.

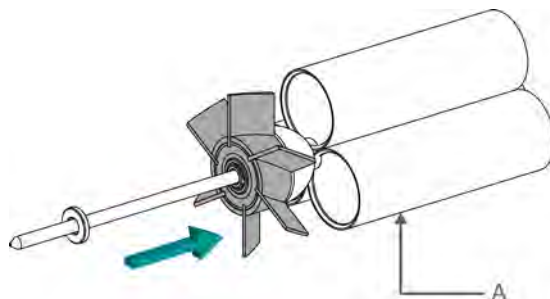
**Figure 9-3: Spring clip assembly removal**



**Note**

Thrust washers may remain in the cones but may be loose. Be careful not to drop the thrust washer.

4. Remove the rotor from the shaft. The journal may come off with the rotor or remain on the shaft. Take care not to drop the journal.

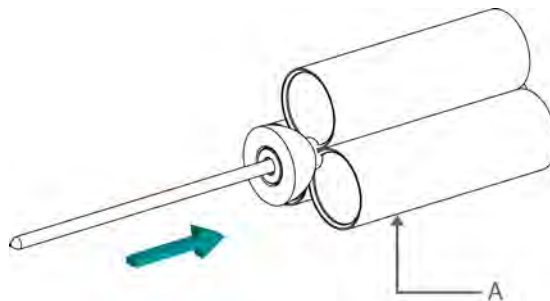
**Figure 9-4: Rotor removal**

A. Downstream cone

**Note**

The letter "A" is etched on one side of rotor hub. The letter "B" is located on the other side. Notice which direction the rotor was assembled.

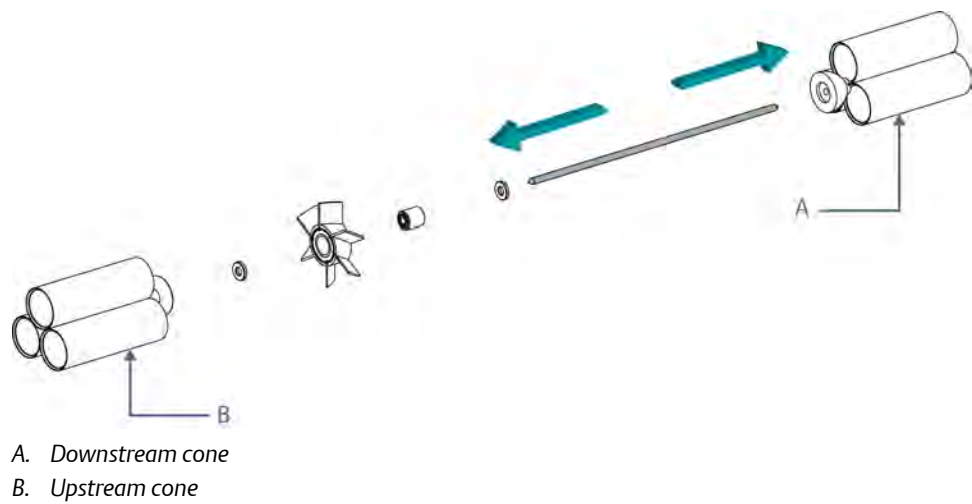
5. Remove the journal and thrust washer from the shaft.

**Figure 9-5: Journal removal**

A. Downstream cone

6. To remove the shaft, pull the shaft out of the cone and spring clip assembly.

**Figure 9-6: Shaft removal**



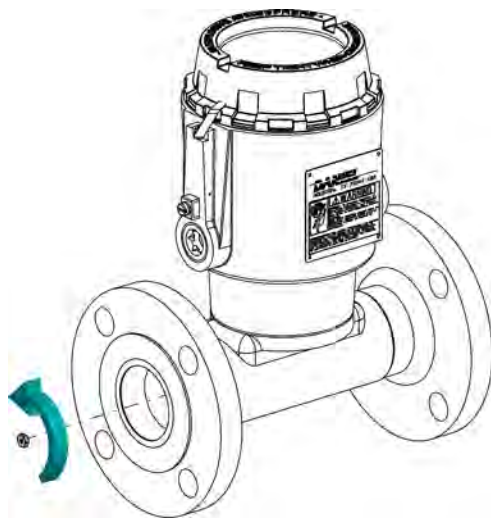
**Note**

The downstream and upstream cones are welded to their respective spring clips only on NPS 1 and 1.5.

---

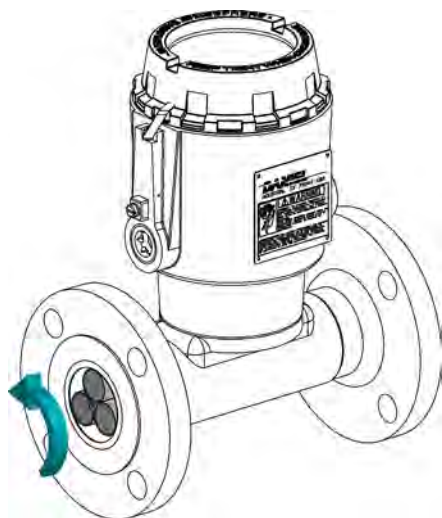
### 9.3.2 Disassemble internal meter housing components - NPS 1.5, 2 and 2.5

1. Remove downstream shaft nut simultaneously holding upstream shaft nut to prevent turning.

**Figure 9-7: Downstream shaft nut removal****Important**

*The shaft nut can only be reused up to five times. Replace as needed.*

2. Using a pair of needle nose pliers, remove downstream spring clip assembly by slightly twisting and pulling straight out downstream end of meter.

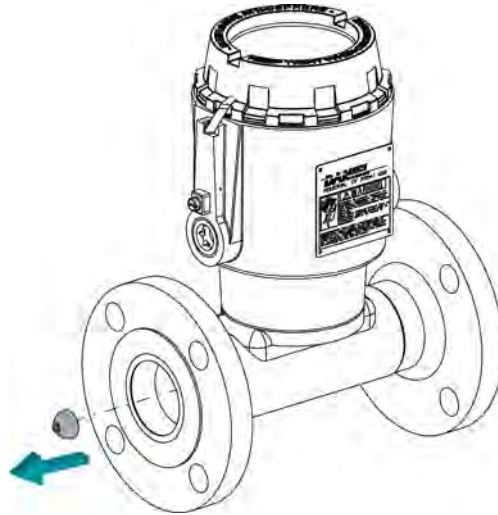
**Figure 9-8: Downstream spring clip assembly removal****Note**

*NPS 1.5 meter - Thrust washer may remain in cone but may be loose. Be careful not to drop the thrust washer.*

3. For NPS 1.5 meter the downstream cone is welded to spring clip assembly. For NPS 2 and 2.5 meter remove the downstream cone from shaft.

---

**Figure 9-9: Downstream cone removal**



---

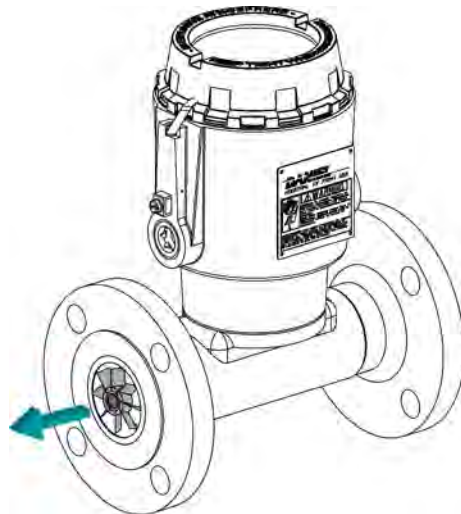
**Note**

*Thrust washer may remain in cone but may be loose. Be careful not to drop the thrust washer.*

4. Remove rotor from shaft. Journal may come out with rotor or remain on shaft. Be careful not to drop journal or thrust washer.

---

**Figure 9-10: Rotor removal**

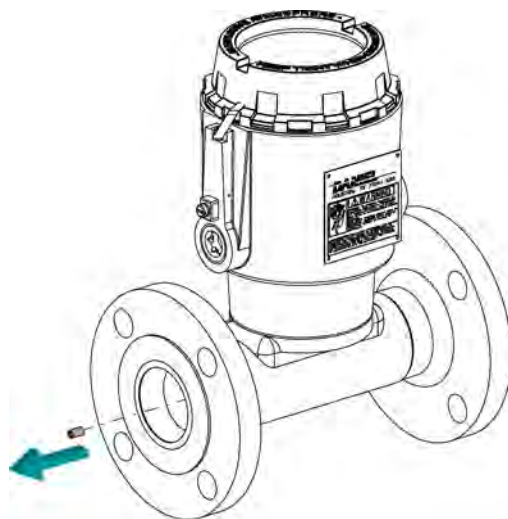




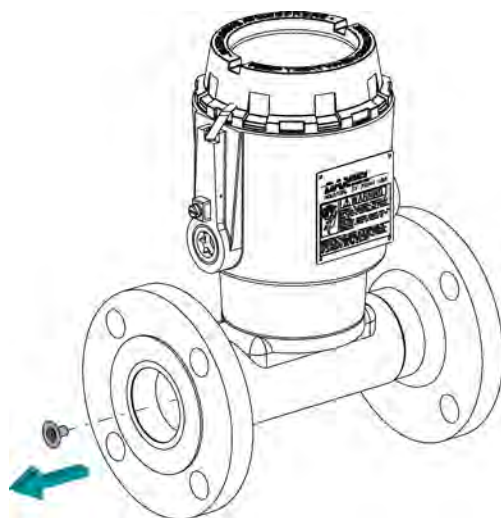
**Note**

*"The letter A" is etched on one side of rotor hub. The letter "B" on the other side. Notice which direction the rotor was assembled.*

5. Remove journal from shaft.

**Figure 9-11: Journal removal**

6. For NPS 1.5 meter the upstream cone is welded to the spring clip assembly.

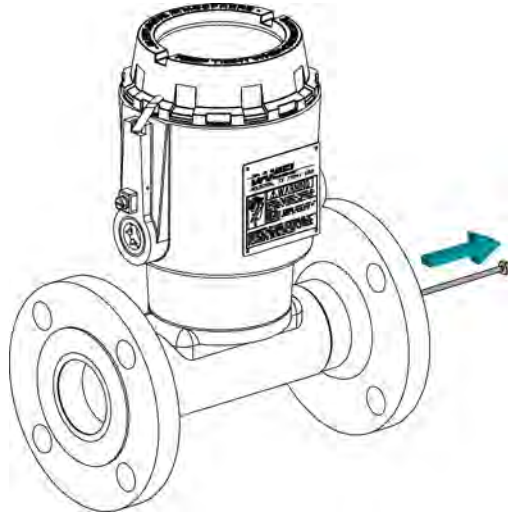
**Figure 9-12: Upstream cone and thrust washer removal****Note**

Thrust washer may remain in cone but may be loose. Be careful not to drop it. On uni-directional meters upstream and downstream cones are different.

7. Remove shaft from upstream end of meter.

---

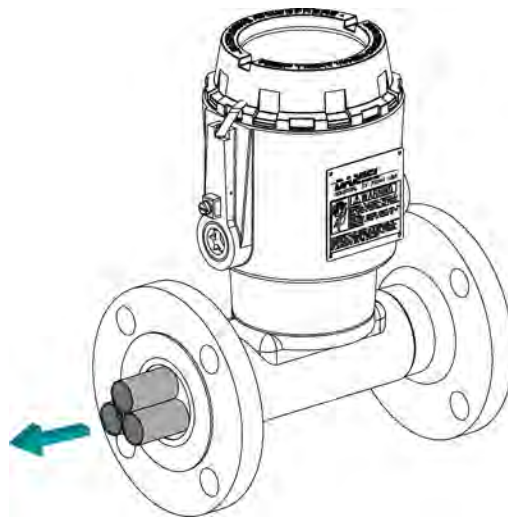
**Figure 9-13: Shaft removal**



8. Using a pair of needle nose pliers, remove spring clip assembly by pulling straight out.

---

**Figure 9-14: Spring clip assembly removal**



---

**Note**

NPS 1.5 meter - The thrust washer may remain in the cone but may be loose. Be careful not to drop the thrust washer. All parts should be cleaned, inspected, and any part found to be worn should be replaced.

---

## 9.4 Mechanical assembly

Protect the rotor blades from rough handling as blade position is critical to turbine meter performance.

Use appropriate torque values to reinstall the shaft nut and to avoid equipment damage or inaccurate turbine meter operation.

### Important

The shaft nut can only be reused up to five times. Replace as needed.

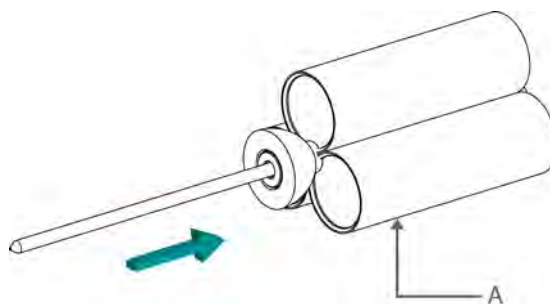
**Table 9-1: Torque requirements for shaft nut reinstallation**

Turbine meter size	Torque requirement
1	1.69 n-m (15 in-lbs)
1.5	2.82 n-m (25 in-lbs)
2	3.38 n-m (30 in-lbs)
2.5	4.51 n-m (40 in-lbs)

### 9.4.1 Assemble internal meter housing components - NPS 1

1. Push one end of the shaft into the center hole in the downstream spring clip assembly cone. Place a thrust washer, unpolished side first, onto the shaft and position in the counterbore of cone.

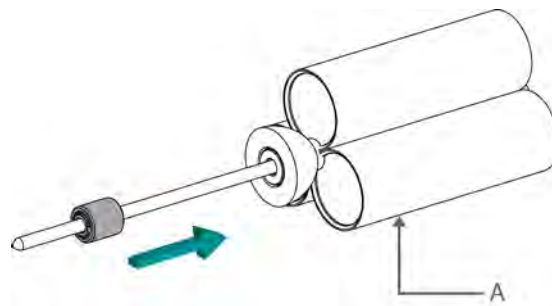
**Figure 9-15: Shaft and thrust washer installation**



A. Downstream cone

2. Place the journal on the shaft and slide to contact the downstream cone. Wipe the outside surface of the journal with a clean cloth.

**Figure 9-16: Journal installation**

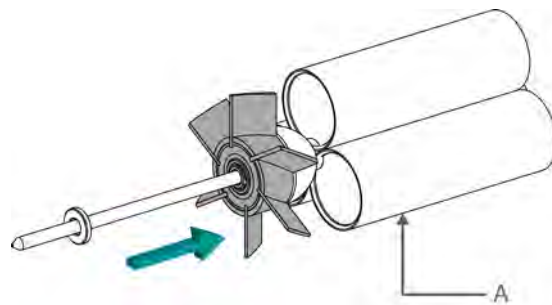


A. Downstream cone

---

3. Clean the bearing inside surface and install the rotor in the same direction label A or B (as disassembled). Slide the rotor onto the shaft and place it on the journal.
- 

**Figure 9-17: Rotor installation**

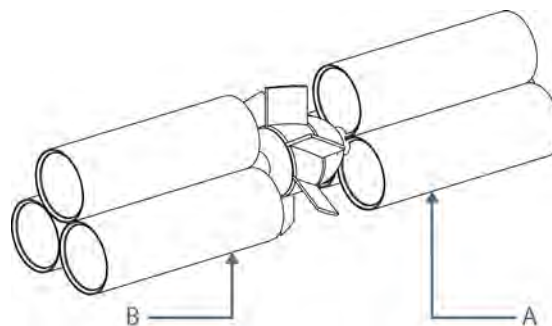


A. Downstream cone

---

4. Place the thrust washer in the counterbore of the upstream cone face, polished side of the thrust washer out. Place the end of the shaft into the center hole in the upstream spring clip assembly cone and push the upstream and downstream spring clip assemblies together until the cones/thrust washers contact the journal.
- 

**Figure 9-18: Thrust washer and spring clip assembly installation**



A. Downstream cone

B. Upstream cone

---

**Note**

Observe the differences between upstream and downstream cones.

5. Insert the internal assembly downstream spring clip, assembly end first, into the upstream end of the meter housing bore. Push the internal assembly into the bore contacting the shoulder on the downstream end of the housing bore. Rotate the downstream spring and assembly to align the three tubes with the three tubes of the upstream spring clip assembly.

**Figure 9-19: Internal assembly installation**



6. Install the sleeve and retainer ring in the groove in the upstream end of the housing bore. Tang side of the retainer ring is to be inserted last to provide for future disassembly.

**Figure 9-20: Sleeve and retainer ring installation**



## 9.4.2 Assemble internal meter housing components - NPS 1.5, 2 and 2.5

### Prerequisites

---

#### Important

Clean all surfaces of the equipment to prevent meter damage.

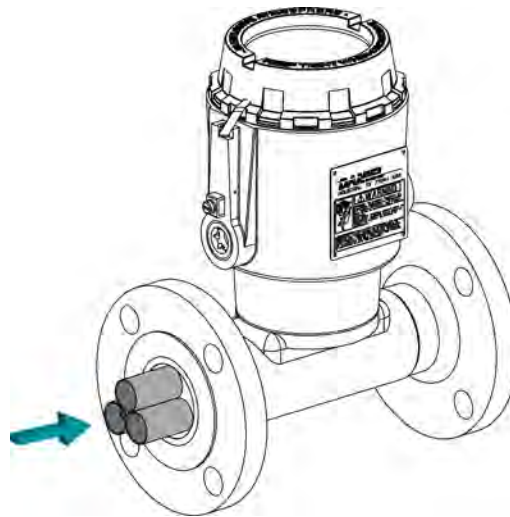
---

#### Procedure

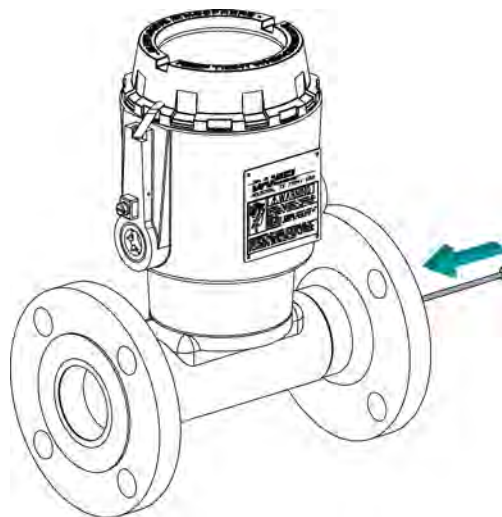
1. For NPS 2 and 2.5 meters place the upstream spring clip assembly, small washer end first, into the upstream end of the housing. Push the spring clip assembly into the bore to shoulder. For NPS 1.5 meter place the thrust washer in counterbore of the upstream cone face, polished side out. Place the upstream spring clip assembly cone end first into the upstream end of the housing. Push the assembly into the bore to shoulder.

---

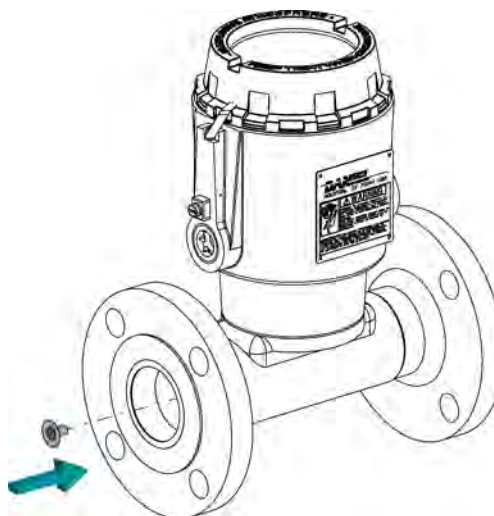
**Figure 9-21: Spring clip assembly and thrust washer installation**



2. Insert the end of the shaft into the center hole of the upstream end of the upstream spring clip assembly. For NPS 1.5 meter, be careful not to knock the thrust washer out of the cone counterbore.

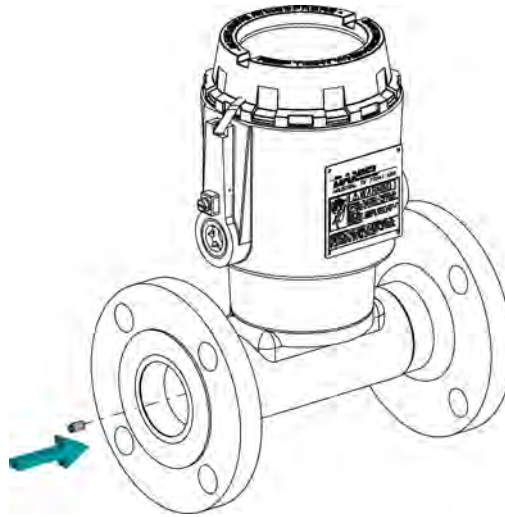
**Figure 9-22: Shaft installation**

3. For NPS 1.5 meter the upstream cone is welded to the upstream clip assembly. For NPS 2 and 2.5 meters place the thrust washer in the counterbore of the upstream cone face, polished side out. Place the upstream cone, small diameter end first, on the downstream end of the shaft. Slide the shaft into the meter, contacting the downstream end of the upstream spring clip assembly.

**Figure 9-23: Upstream cone installation**

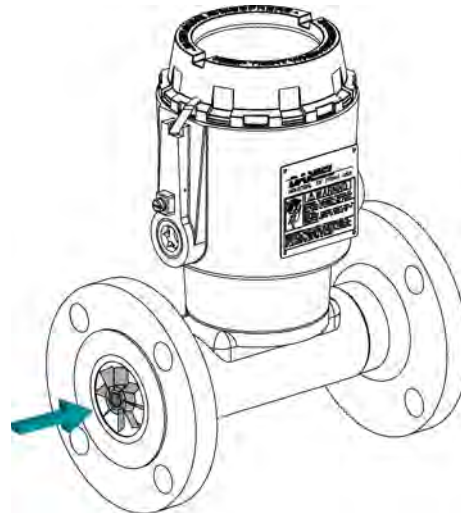
4. Place the journal on the shaft. Wipe the outside surface with a clean cloth.

**Figure 9-24: Journal installation**



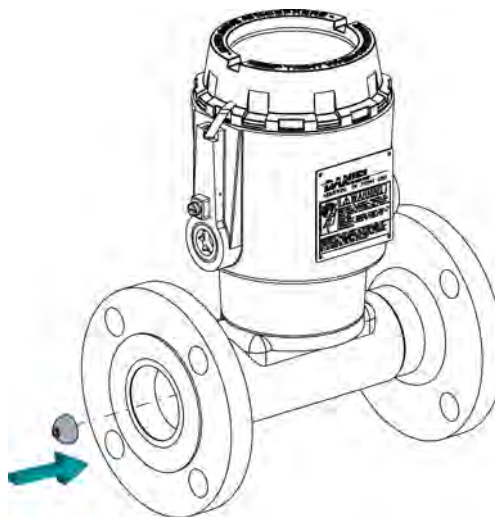
5. Clean the bearing inside surface and install the rotor in the same direction as disassembled. Slide the rotor onto the shaft and journal. Simultaneously slide the journal and rotor along the shaft to the upstream cone.

**Figure 9-25: Rotor installation**

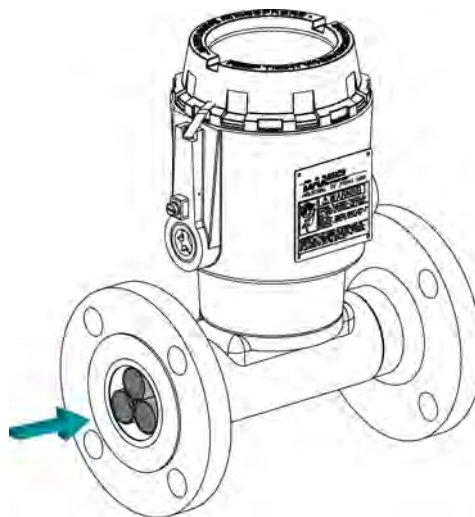


6. For NPS 1.5 meter the downstream cone is welded to the downstream spring clip assembly. For NPS 2 and 2.5 meters place the thrust washer in the counterbore on the downstream cone face, polished side out. Install the downstream cone, large diameter end first, onto the shaft and slide along the shaft to the rotor.



**Figure 9-26: Thrust washer and downstream cone installation**

7. For NPS 1.5 meter place the thrust washer in the counterbore of the downstream cone face, polished side out. Place the downstream spring clip, cone end first, into the downstream end of housing, push the spring clip assembly into the bore contacting the journal. For NPS 2 and 2.5 meters place the downstream spring clip, small washer end first, into the downstream end of housing, push the spring clip assembly into the bore contacting the downstream cone.

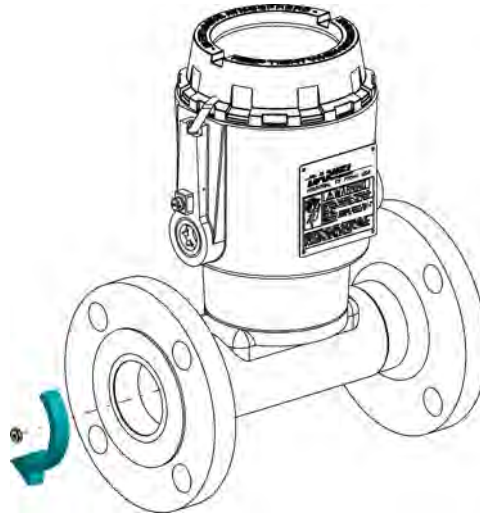
**Figure 9-27: Downstream spring clip assembly installation****Note**

Rotate the downstream spring clip assembly to align the three tubes with the tubes of the upstream spring clip assembly.

8. Hand-tighten the downstream nut, simultaneously holding the upstream nut to prevent the shaft from turning.

---

**Figure 9-28: Downstream and upstream nut installation**



---

**Note**

Torque the retaining nut to 2.8 Nm (25 in. lbs.) for the NPS 1.5 meter, 3.4 Nm (30 in. lbs.) for the NPS 2 meter, and 4.5 Nm (40 in. lbs.) for the NPS 2.5 meter.

---

**Important**

The shaft nut can only be reused up to five times. Replace as needed.

---

## 9.5 Electronics enclosure disassembly

### **⚠ WARNING!**

#### **ELECTRONIC HAZARD**

**Power off the electronics after every use.**

**Servicing the turbine meter while powered may result in death or serious injury.**

---

#### **Important**

Do not use a hammer to assemble the housing.

---

### 9.5.1 Disassemble the LME/RME - Standard enclosure

1. Uninstall the security seal wire.
2. Uninstall the security wire.

3. Uninstall the security latch.
4. Uninstall the solid end cap.
5. Uninstall the wiring connections from the preamplifier.
6. Loosen and remove the socket screws from the plate bracket to the housing.
7. Loosen and remove the preamplifier socket screw to the bracket plate.
8. Loosen the grounding lugs and remove the cable.
9. Uninstall the conduit.
10. For LME only - Remove the anti-rotation bracket and pickoffs.
11. Uninstall the four socket head screws placed at the bottom of the housing.
12. Remove the housing from the flameproof pad.
13. Uninstall the O-ring from the pad.

## 9.5.2 Disassemble the LME - High temperature enclosure

1. Uninstall the security seal wire.
2. Uninstall the security latch.
3. Uninstall the solid end cap.
4. Uninstall the wiring connections from the terminal block.
5. Loosen and remove the socket screws from the plate to the housing.
6. Loosen and remove the socket screws from the bracket plate.
7. Loosen the grounding lugs and remove cable.
8. Uninstall the conduit.
9. Remove the anti-rotation bracket and the pickoffs.
10. Uninstall the four socket screws placed at the bottom of the housing.
11. Remove the housing from the flameproof pad.
12. Uninstall the O-ring from the pad.

## 9.6 Electronics enclosure assembly

### **⚠ WARNING!**

#### **ELECTRONIC HAZARD**

**Power off the electronics after every use.**

**Servicing the turbine meter while powered may result in death or serious injury.**

---

#### **Important**

Do not use a hammer to assemble the housing.

---

## NOTICE

**The joint between the LME cover and housing is a threaded joint. The joint between the LME housing and Sensor housing is a spigot joint with a minimum axial length of 26.16 mm (1.030 in), radial length of 3.18 mm (0.125 in), and a clearance of 0.07 mm (0.0028 in).**

---

### 9.6.1 Assemble the LME/RME - Standard enclosure

1. Install the O-ring on the pad.
2. Install the housing on the turbine meter body or remote mounting pad. Use four screws with a torque value of 74.5 Nm (55 lbs-ft) (Capacity to be installed: each at 90°).
3. For LME only - Insert pickoffs and anti-rotation bracket.
4. Install the conduit.
5. Install the internal and external grounding cable to lug.
6. Tighten the preamplifier socket screw to the bracket plate.
7. Follow the applicable diagram for the wiring configuration. The preamplifier connectors can be removed by pulling each connector. Refer to [Section 2.2.1](#) for the preamplifier designator. Ensure the torque is less than 4 lbs-in.
8. Tighten the socket screws from the plate bracket to the housing.
9. Install the solid end cap.
10. Install the security seals.
11. Install the security seal wire.

### 9.6.2 Assemble the LME - High temperature enclosure

1. Install the O-ring to the pad.
2. Install the housing on the turbine meter body. Use four screws with a torque value of 55 lbs-ft. (Capacity to be installed: each at 90°).
3. Insert the pickoffs and anti-rotation bracket.
4. Install the conduit.
5. Install the internal and external grounding cable to lug.
6. Tighten the terminal blocks socket screws to the bracket plate.
7. Install the pickoff cables and opt out the signal connections to the terminal blocks.
8. Tighten the socket screws from the plate to the housing.
9. Install the solid end cap.
10. Install the security seals.
11. Install the security seal wire.

## 9.7 Replace the preamplifier

1. Disconnect all power to the turbine meter.
2. Remove cover of the RME.
3. Loosen screws of preamplifier bracket and lift out of the enclosure.
4. Disconnect terminal connects at TB1, TB2, and TB3.
5. Loosen screws of preamplifier and lift out.
6. Mount the replacement preamplifier board in its original position and secure using screws.
7. Attach electrical output wiring from both pickoffs to terminal connection TB2 and TB3.
8. Attach electrical output wiring from electrical accessories (conduit wiring) to terminal connection TB1, number 3 for channel A, and number 5 for channel B.
9. Secure all electrical wiring.
10. Secure screws of preamplifier bracket in to the enclosure.
11. Return cover and secure.

## 9.8 Planned maintenance tasks

**Table 9-2: Planned maintenance tasks**

Task	Recommended action
Inspect	Implement a periodic inspection program to ensure all parts are free from damage due to process, ambient or other abnormal conditions. <ul style="list-style-type: none"> <li>• Internal components: rotor, upstream to downstream cone, etc.</li> <li>• Meter body housing, external flanges, flamepath.</li> <li>• Bolting</li> <li>• Electrical connections.</li> </ul>
Clean	Use a non-toxic metal cleaning solvent. Do not use common petrochemical solvents like Benzene, Toluene or Xylene as they can pose potential health hazards.
Monitor corrosion / erosion / wear	A careful review of turbine meter proving history, such as turbine meter factor control charts, can reveal potential problems with turbine meter measurements. Examples include bearing drag due to wear or an increased internal cross-sectional area due to erosion.



# 10 Corrective maintenance

## Topics covered in this chapter:

- [Turbine meter troubleshooting](#)
- [Verify the return to operational condition](#)

## 10.1 Turbine meter troubleshooting

Use the table below to troubleshoot the turbine meter. Contact the nearest Daniel Measurement and Control Sales or Service office for repairs. It is important that servicing be performed by trained and qualified service personnel.

**Table 10-1: Troubleshooting**

Condition	Probable cause	Correction <sup>(1)</sup>
No output pulses from amplifier module	Input voltage to amplifier below minimum required for operation	Apply correct voltage (10 - 30 VDC)
	Damaged or shorted pickoff (Resistance across leads should be 600-900 Ohm)	Replace pickoff
	Damaged amplifier module	Replace amplifier module
	Customer receiver unit not operating	Contact Daniel Customer Service
	Meter rotor not turning	Troubleshoot internal assembly
Turbine meter rotor not turning	Defective rotor bearing	Return rotor assembly to factory for replacement or repair
	Rotor damaged by foreign material passing through turbine meter	Return rotor assembly to factory for replacement or repair
Inaccurate read-out	Foreign material on rotor blades	Check and clean blades
	Rotor blades are bent	Return to factory for replacement or repair
	Defective accessory equipment	Troubleshoot equipment

(1) \* Refer to [Section 9.3](#) for disassembly procedures.

## 10.2 Verify the return to operational condition

After correcting maintenance issues, verify that the turbine meter is working properly by following the steps below.

1. Inspect all electrical connections to ensure compliance with electrical codes and safety regulations.

2. Inspect all flange bolts used to secure the turbine meter in-line to ensure that correct mounting procedures are followed and that flange connections are leak-free.
3. Evaluate the system setup to ensure that all components are in the correct sequence for accurate product measurement: isolation valve, strainer, flow straightener, turbine meter, downstream section, control valve, etc.
4. Ensure that the supply voltage to the preamplifier is within the 10-30 VDC range.

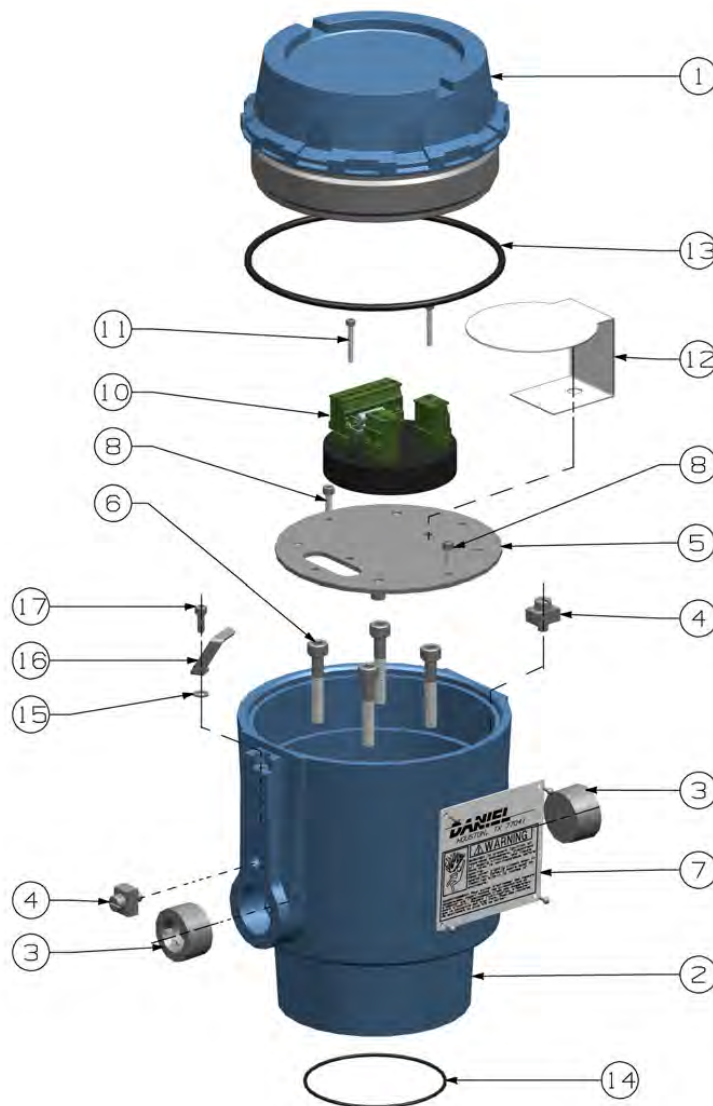


# 11 Spare parts

## 11.1 Recommended spare parts

The figure below identifies the spare parts for an LME assembly.

**Figure 11-1: Part identification for a standard enclosure**



**Table 11-1: Recommended spare parts for an LME assembly (standard)**

Item number	Description	Part number	Quantity required
10 <sup>(1)</sup>	2818 Dual channel preamplifier	1-504-05-550	1
10 <sup>(1)</sup>	2415 Intrinsically safe preamplifier	1-504-05-449	1
10 <sup>(1)</sup>	1815B Zero crossing preamplifier	1-504-05-510	1
10 <sup>(1)</sup>	1817X Bidirectional preamplifier	1-504-05-442	1
13	O-ring FKM	2-4-9163-245	1
14	O-ring FKM	1500093-022	1
41	Pickoff	899-00-201-00	2

(1) Refer to [Section 2.2.1](#) for detailed preamplifier information.

Refer to [LME assembly - Standard enclosure](#), [LME assembly - High temperature](#) for other part numbers, [RME assembly - Pipe mount](#) and [RME assembly - Wall mount](#).

### Order spare parts

Contact Daniel Customer Service and provide the following information when ordering spare parts:

- Turbine meter serial number
- Part number
- Part description
- Quantity

# 12 Decommission the turbine meter

## Topics covered in this chapter:

- [Shut down the turbine meter](#)
- [Turbine meter disassembly/assembly](#)
- [Shipment of the meter](#)

## 12.1 Shut down the turbine meter

Follow the steps below to shut down and disassemble the turbine meter for storage or shipment.

### **WARNING!**

#### **PRESSURE HAZARD**

**The turbine meter is subject to pressurized fluids. Depressurize the turbine meter before disassembly.**

**Failure to comply may cause high pressure fluids to leak, resulting in death or serious injury.**

#### **Procedure**

1. Disconnect all power to the turbine meter and vent all line pressure.
2. Remove security wire.
3. Remove screws and top cover of the LME.
4. Disconnect wire connections from LME.
5. Disconnect the grounding cables.
6. Disconnect conduit connections to the turbine meter.
7. Remove turbine meter from line. Refer to [Section 4.1](#), [Section 4.2](#), and [Safety precautions using appropriately rated lifting slings](#) for instructions on how to lift the turbine meter.

## 12.2 Turbine meter disassembly/assembly

Follow the recommendations below before disassembling the turbine meter for storage or assembling it for shipment.

- Label all parts or place parts in labeled containers during disassembly.
- Do not use metal clamping devices in direct contact with any turbine meter part or surface.

- Rotor blades determine accurate flow measurement and should be handled with extreme care. Bending or altering the blades in any way can affect turbine meter accuracy.

Thoroughly clean the turbine meter inside the housing components and store or ship as it was received. Refer to [Section 3.2.2](#).

After the meter is shut down, refer to [Section 9.3](#) and [Section 9.6](#) for the detailed disassembly/assembly procedures.

## 12.3 Shipment of the meter

Refer to the Daniel Customer Service information in the preface of this document.







**Daniel Measurement and Control, Inc.**

11100 Brittmoore Park Drive  
Houston, TX 77041 USA  
T +1 713-467-6000  
F +1 713-827-4805  
USA Toll Free 1 888-356-9001

**Daniel Measurement Services, Inc.**

T +1 713-827-6314

[www.Daniel.com](http://www.Daniel.com)

**Europe: Stirling, Scotland, UK**

T +44-1786-433400

**Middle East Africa: Dubai, UAE**

T +971-4-811-8100

**Asia Pacific: Singapore**

T +65-677-8211

©2015 Daniel Measurement and Control, Inc. All rights reserved.

The Emerson logo is a trademark and service mark of Emerson Electric Co. Daniel Measurement and Control, Inc., and Daniel Measurement Services, Inc., (Daniel) are Emerson Process Management business units. The Daniel name and logo are trademarks of Daniel Industries, Inc. The Senior, Junior, Simplex, MeterLink, SeniorSonic, JuniorSonic, and DanPac are trademarks of Daniel Industries, Inc. All other trademarks are property of their respective owners.

