

Product data sheet

1.606.01 Rev. 0 Page 1 of 2
October 2017

FieldQ

FieldQ Valve Actuator

Parts and Materials - Actuators

Description	Qty.	Description	Specification	Notes
Body	1	Aluminum Alloy	EN AC-ALSi10Mg (Cu)	1/5
Pinion	1	Aluminum Alloy	EN AW 7075 T6	2
Upper pinion part	1	Aluminum Alloy	EN AW 7075 T6	2
Guide band housing	2*	Nylatron	PA6.6 + MoS2	-
Washer pinion	2*	CRMZX100	-	-
Bearing ring	2*	Delrin®	POM	-
Limit stop cam	1	Steel	42CrMo4V	-
Piston	2	Aluminum Alloy	EN AC-ALSi7Mg	6
End cap QS	2	Aluminum Alloy	EN AC-ALSi7Mg	1
End cap QD	2	Aluminum Alloy	EN AC-ALSi7Mg	1
Guide band piston	2*	PTFE, Carbon filled	PTFE + 25% C	-
O-ring piston	2*	Nitrile Rubber	NBR	-
O-ring end cap	2*	Nitrile Rubber	NBR	-
O-ring upper pinion part	1*	Nitrile Rubber	NBR	-
O-ring pinion top	1*	Nitrile Rubber	NBR	-
O-ring pinion bottom	1*	Nitrile Rubber	NBR	-
O-ring B-port	2*	Nitrile Rubber	NBR	-
O-ring retainer bolt	4*	Nitrile Rubber	NBR	-
O-ring limit stop bolt	2*	Nitrile Rubber	NBR	-
Outer spring	2	Carbon Spring Steel	EN 10270-1 SH	3
Middle spring	2	Carbon Spring Steel	EN 10270-1 SH	3
Inner spring	2	Carbon Spring Steel	EN 10270-1 SH	3
Spring retainer	2	Steel	St. DC01 EN10139	4
Washer spring pack	2	Steel	C35	4
Spring pack retainer bolt	2	Stainless Steel	AISI 304 (DIN W nr 1.4301)	-
Washer	4*	Nylon	PA6	-
Nut	4	Stainless Steel	AISI 304 (DIN W nr 1.4301)	-
Nut cover	2	Polyethylene	PE	-
End cap screws	8	Stainless Steel	AISI 304 (DIN W nr 1.4301)	-
Retaining ring pinion large	1*	Carbon Spring Steel	C45, DIN 17200	3
Retaining ring pinion small	1*	Carbon Spring Steel	C45, DIN 17200	3
Limit stop screw	1	Stainless Steel	AISI 304 (DIN W nr 1.4301)	-
Indicator cap	1	Nylon	PA6	-
Indicator arrow	1	Nylon	PA6	-
Indicator insert	1	Nylon	PA6	-
Type plate	1	Stainless Steel	AISI 303 (DIN W nr 1.4305)	-
Hammer drive	1	Stainless Steel	AISI 303 (DIN W nr 1.4305)	-
Insert	1	Aluminum Alloy	EN AW 6082 T5	5

Notes:

- 1 See Corrosion protection below
- 2 Hard anodized.
- 3 Deltatone® or Epoxy (black) coating.
- 4 Zinc plated and passivated.
- 5 Anodized.
- 6 Chromitized

Control Modules

For material specification of the Control Modules, see page 2

Corrosion protection

The applied paint system has passed a 1000 hour salt spray test as detailed by ASTM B117. For a detailed description of the Corrosion protection system see data sheet 1.606.05.

Temperature ranges

The temperature range of FieldQ actuators with NAMUR plates depends on the O-ring seals and the utilized grease. For a detailed description of possible temperature ranges and applied parts, see data sheet 1.605.03

Repair kit

Parts marked with an * are included in the repair kit

FieldQ

www.emerson.com/fieldq

Copyright © Emerson. The information in this document is subject to change without notice.

Updated data sheets can be obtained from our website www.emerson.com/fieldq or from your nearest Actuation Technologies Center:

America's: +1 281 477 4100 (fax 477 2809) Europe: +36 22 530 950 (fax +36 22 54 37 00) Asia Pacific: +65 6777 8211 (fax +65 626 80 028)



EMERSON™

Product data sheet

1.606.01 Rev. 0 Page 1 of 2
October 2017

FieldQ

FieldQ Valve Actuator

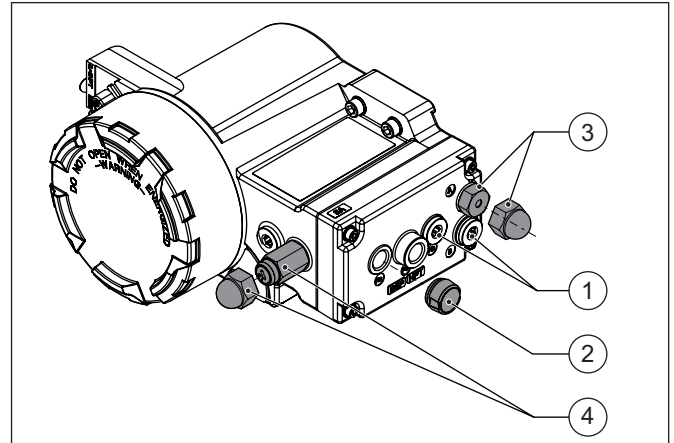
Parts and Materials - Control Modules

Base Materials

Bodies:	Aluminium
Finish:	2 Component with an epoxy primer and polyurethane enamel top coating.
Pneumatic cartridge:	Aluminium
Valve seats	NBR
Pilot valve cartridge:	Housing: Nylon PA6
Switch cartridge:	Housing: Nylon PA6
Fasteners	Stainless Steel

External parts

1. Plug	Steel, Nickel plated
2. Exhaust	Base : Nylon PA6
	Cover: Zinc, Nickel plated and transparent passivated
	Option: Plastic silencer (nylon)
3. Speed Control:	Stainless Steel (AISI 303)
4. Manual Control:	Red anodized aluminum
5. Nut Covers:	Nylon PA6



Parts and Materials - Control Modules

FieldQ

www.emerson.com/fieldq

Copyright © Emerson. The information in this document is subject to change without notice.

Updated data sheets can be obtained from our website www.emerson.com/fieldq or from your nearest Actuation Technologies Center:

America's: +1 281 477 4100 (fax 477 2809) Europe: +36 22 530 950 (fax +36 22 54 37 00) Asia Pacific: +65 6777 8211 (fax +65 626 80 028)


EMERSON[™]