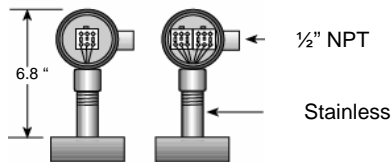
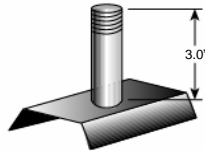


**Specifications MLS Series**

MLS-3



"Ex" Version

**Specifications:**

Deadband: .50 Inches (12.7mm)  
 Max. Temperature: 600°F (316°C)  
 Min. Temperature: -40°F (-40°C)  
 Contacts: SPDT or DPDT  
 Contact Ratings:  
     Volts AC/DC 150  
     Amps 1.0 to 10.0 Amp Options  
 Housing: 316 SS Encapsulated base with  
     Explosion-proof Condulet  
     General Purpose  
 Electrical Class:  
     Class 1, Div. 1, Groups B, C & D  
     UL, C-UL, CSA & ATEX Listed

**Switch Options:**

**MLS-3** 1 amp SPST switch (no housing)  
**MLS-3Ex** explosion-proof with terminal block  
**MLS-3Ex 2** DPDT option  
**MLS-5Ex** 5 amps, DPDT  
**MLS-10Ex** 10 amps, DPDT  
**"HT"** options for temperatures to 650°F  
**"NL"** Non-latching

**MLS-3, MLS-3Ex Level Switches**

Description: The MLS-3 and MLS-3Ex are electrically the same. The Ex version comes with an explosion-proof housing with terminal block. The MLS-3 switch is a hermetically sealed BI-Stable latching reed switch with SPDT Form C contacts. The switch is actuated by the float and latches, thus maintaining the contact after the float continues to rise or fall with level. The MLS-3 is best suited for low power alarm signals.

**Specifications:**

Deadband: .50 Inches  
 Max. Temperature: 650°F (343°C) – HT Version  
                           350°F (177°C) – STD  
 Version  
 Min. Temperature: -40°F / °C  
 Contacts: Form C SPDT  
 Maximum Ratings:  
     Switching Voltage: 150 Volts AC/DC  
     Current: 1.0 Amps AC/DC  
     Power: 25 Watts DC/VA

The wire leads on the MLS-3 should be terminated using suitable means (wire nuts, terminal block, etc.). The MLS-3Ex are provided with a terminal block inside the explosion-proof enclosure.

**After the switches are mounted and wired, they need to be set to the desired state for rising or falling level as noted previously. This is easily accomplished by either manually pushing the float or magnet past the highest switch, or filling the gage chamber with fluid until all switches are properly set.**

**Switch Operation/Mounting:**

To mount the MLS Series Level Switch simply clamp it directly to the side of the level gage chamber using the adjustable pipe clamps provided. Alarm set points may be changed by simply loosening the clamps and sliding the switch to the desired alarm level. To set up desired starting state follow these steps:

**Wiring Details:**

Rising Level Alarm			
MLS-3	Yellow	Green	Red
MLS-3Ex	A(NC)	C	B(NO)
Falling Level Alarm			
MLS-3	Red	Green	Yellow
MLS-3Ex	B(NC)	C	A(NO)

**Schematic:**





## MLS-5Ex, MLS-10Ex-R, PS-2 / PS-2H Level Switches Specifications & Wiring Diagrams

3902 Magnolia Rd.  
Pearland, Texas 77584  
Phone 281-488-0788 Fax 281-488-7080

### MLS-5Ex and 10Ex Series Level Switches NOTE: These switches require power.

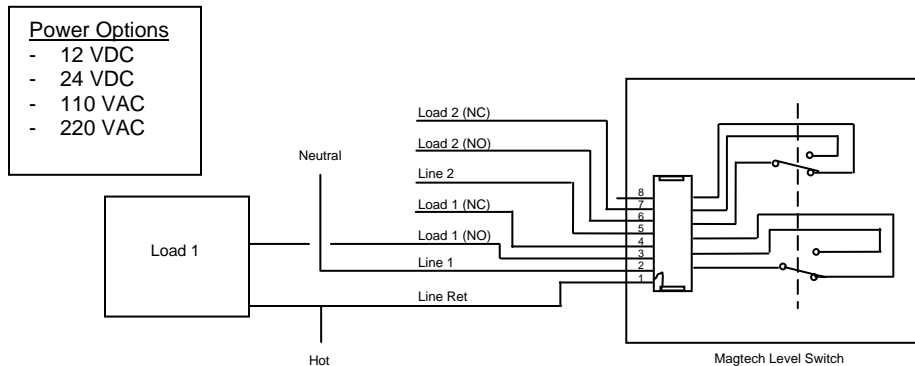
Description: The MLS-5Ex and MLS-10Ex-R switches come in explosion-proof housing (same as MLS-3Ex) with terminals and hermetically sealed relays rated for 5 and 10 Amp, 2 Form C, DPDT contacts. The relay is actuated by the float and latches, thus maintaining the contact after the float continues to rise or fall with the level. These are best suited for alarm signals or pumps.

#### MLS-5Ex Specifications:

Deadband: .50" (12.7mm)  
 Max. Temperature: 650°F (343°C) – HT Version  
 350°F (176°C) – STD Version  
 Min. Temperature: -40°F (-40°C)  
 Contacts: Form C DPDT  
 Maximum Ratings:  
 Switching Voltage: 240V/30V AC/DC  
 Current: 5 Amps  
 Power: 1KVA/150W  
 Contact Ratings:  
 5A @ 240VAC resistive 1.5A @ 240VAC inductive (cosec=0.4)  
 5A @ 120VAC resistive 1.5A @ 120VAC inductive (cosec=0.4)  
 5A @ 30VDC resistive 1.5A @ 24VDC inductive (L/R=7msec)  
 1/8HP @ 250VAC

#### MLS-10Ex-R Specifications:

Deadband: .50 Inches  
 Max. Temperature: 650°F (343°C) – HT Version  
 350°F (176°C) – STD Version  
 Min. Temperature: -40°F (-40°C)  
 Contacts: Form C DPDT  
 Maximum Ratings:  
 Switching Voltage: 240V/30V AC/DC  
 Current: 10 Amps  
 Power: 2KVA/300W  
 Contact Ratings:  
 10A @ 240VAC resistive 8A @ 240VAC inductive (cosec=0.4)  
 10A @ 120VAC resistive 8A @ 120VAC inductive (cosec=0.4)  
 10A @ 30VDC resistive 8A @ 24VDC inductive (L/R=7msec)  
 1/8HP @ 250VAC



### PS-2 / PS-2H Level Switches

Description: The PS-2 is a pneumatic switch designed to control air and natural gas from 15 to 100 psi. The PS-2 is rotary cam activated and incorporates a non-bleed switch. When the float passes, the cam rotates and latches the switch in the open position. This will allow unobstructed airflow. When the float moves back in the opposite direction the switch unlatches and blocks the airflow. The no-bleed design of the PS-2 makes it ideal for controlling applications requiring natural gas. The PS-2 can also be used to control pneumatic alarms, pumps and valves.

#### PS-2 / PS-2H Specifications:

Deadband: 0.7" (17.78 mm)  
 Max. Temperature: 300°F / 450°F (148°C / 232°C)  
 Min. Temperature: 0°F  
 Supply Pressure @ 70°F: 15 – 100 psi (1.03 – 6.89 bar)  
 Supply Pressure @ 300°F: 15 – 35 psi / 15 - 60 psi  
 (Dry, Filtered air or gas) (1.03 – 2.41 bar / 1.03 – 4.41 bar)  
 Housing: 316SS, Nema 4

