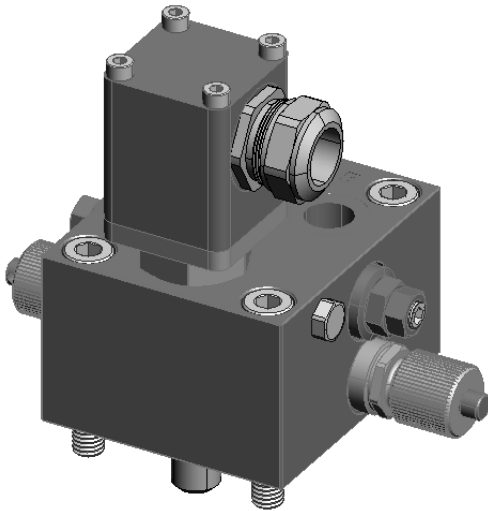


Damcos™ CB-E

CB-E Control Block



Available Types (Brass and Stainless Steel)

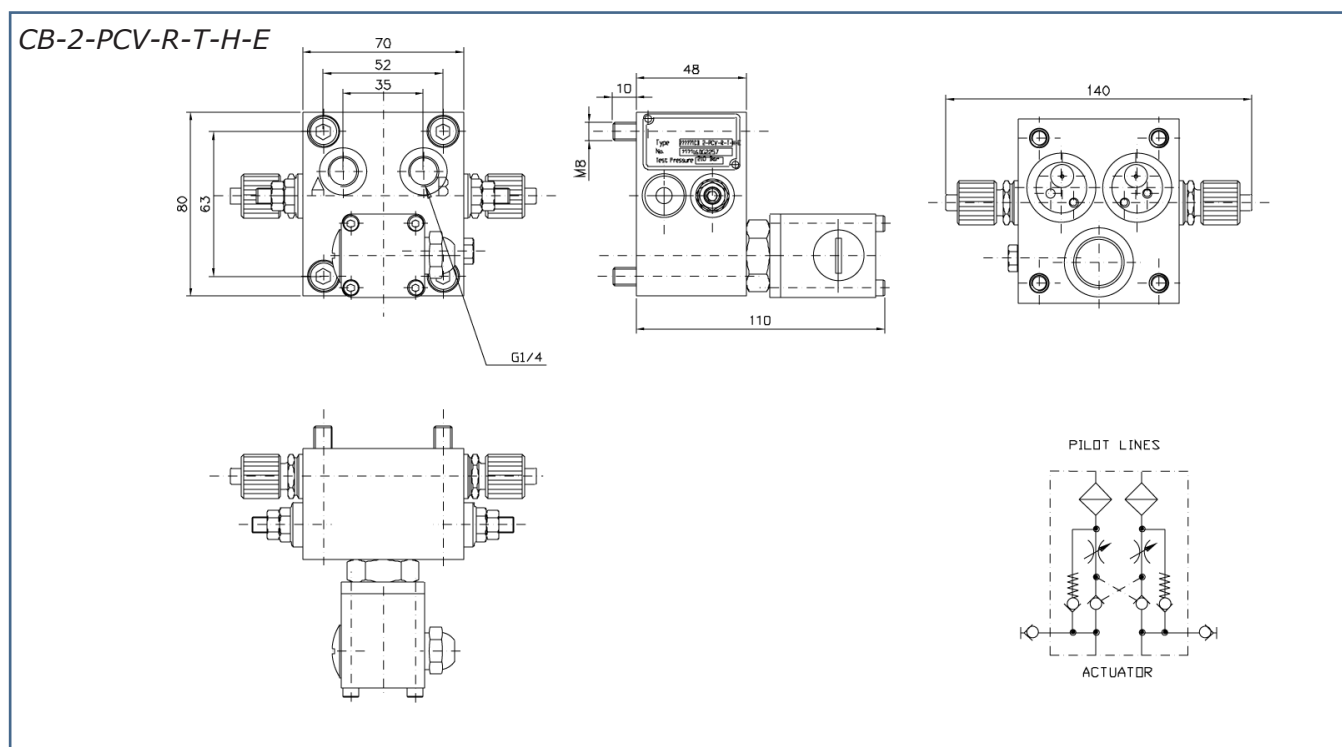
- CB 2-PCV-R-T-H-E
- CB 2-PCV-R-T-E ¹
- CB 2-S-H-E
- CB 2-S-E ¹
- CB 2-PCV-R-T-(H)-E ¹
- CB 2-S-E ¹
- CB 1-S-H-E
- CB 1A-S-H-E
- CBKF 1-S-H-E ¹
- CBKF 1A-S-H-E ¹
- CBQ 2-PCV-R-S-H-E
- CBQ 2-S-H-E
- CBQ 1-S-H-E
- CBQ 1A-S-H-E

¹) Not Available in stainless steel version

Description

Damcos CB-E is a control block for mounting on 1-line and 2-line actuators. It is mounted with interface for EL on/off or potentiometer. It is prepared for mounting of pilot operated check valve, relief valve and throttle valve, stop valve and hand pump quick connections.

Main Dimensions



©2015 Emerson Process Management. All rights reserved.

The Emerson logo is a trademark and service mark of Emerson Electric Co. Damcos and the Damcos logotype are trademarks of Damcos A/S, Rosemount and the Rosemount logotype are registered trademarks of Rosemount Inc. Damcos A/S and Rosemount Tank Radar AB are members of the Emerson Process Management family of companies. All other marks are the property of their respective owners.

The contents of this publication are presented for information purposes only, and while effort has been made to ensure their accuracy, they are not to be construed as warranties or guarantees, expressed or implied, regarding the products or services described herein or their use or applicability. Standard Terms and Conditions of Sale can be issued by contacting Damcos A/S. We reserve the right to modify or improve the designs and specifications of our products at any time without notice. Damcos A/S and Rosemount Tank Radar AB accepts no responsibility for any errors that may appear in this publication.

Emerson Process Management

Damcos A/S
Aaderupvej 41
DK-4700 Naestved
T +45 5578 7200
F +45 5578 7272

www.EmersonProcess.com/mtm