

## Product Data Sheet

SD 3004-2E01

August 2008

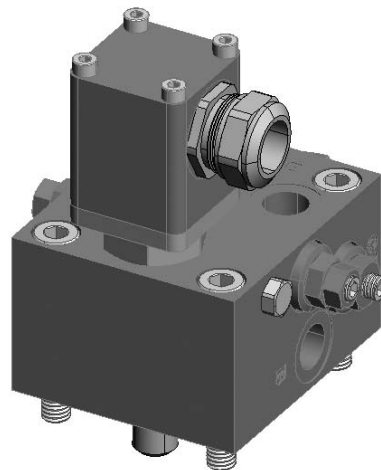
Damcos® CBF-E

# CBF-E Control Block

## Presentation

CBF-E:

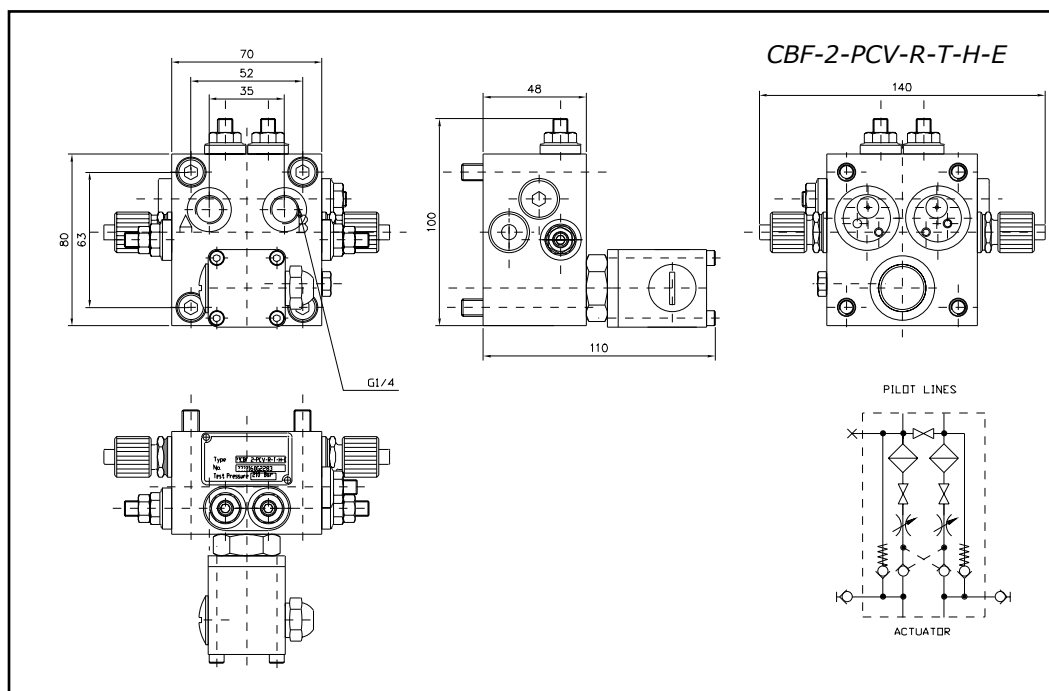
Control block for mounting on 1-line and 2-line actuators. This block is with a flush system and it is mounted with interface for EL on/off or potentiometer. It is prepared for pilot operated check valve, relief valve and throttle valve, stop valve and hand pump quick connections.



## Available types

- CBF 2-PCV-R-T-H-E
- CBF 2-PCV-R-T-E
- CBF 2-T-H-E
- CBF 2-T-E
- CBF 1-T-H-E
- CBF 1A-T-H-E

## Main dimensions



**DAMCOS**®

  
**EMERSON**™  
Process Management

# Damcos® CBF-E

---

The Emerson logo is a trademark and service mark of Emerson Electric Co. Damcos and the Damcos logotype are registered trademarks of Damcos A/S. All rights reserved. The contents of this publication are presented for information purposes only, and while effort has been made to ensure their accuracy, they are not to be construed as warranties or guarantees, expressed or implied, regarding the products or services described herein or their use or applicability. All sales are governed by our terms and conditions, which are available upon request. We reserve the right to modify or improve the designs and specifications of our products at any time without notice. Damcos A/S accepts no responsibility for any errors that may appear in this publication.

**This product is developed and managed by:  
Emerson Process Management**

Damcos A/S  
Aaderupvej 41  
DK-4700 Naestved  
T +45 5578 7200  
F +45 5578 7272

**For global contacts:  
[www.EmersonProcess.com/marine](http://www.EmersonProcess.com/marine)**