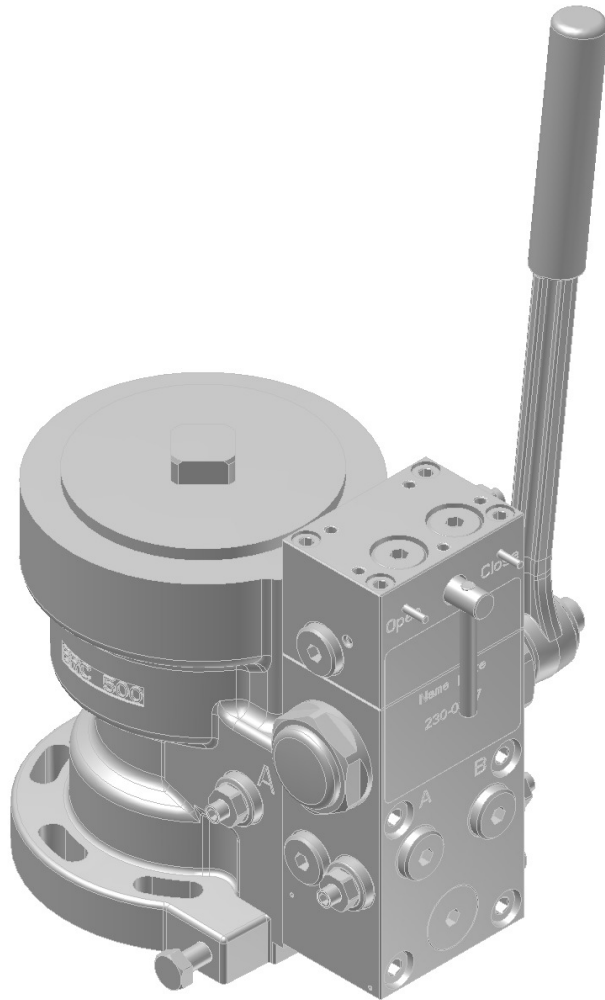


# Damcos™ Hand Pump - Direct Mounted



## General Description

The direct mounted hand pump is installed directly on single and double line actuators i.e. no extra pipe or block installation is required. The direct mounted hand pump is mainly together with valves which are easy to access. For the main part of the double line actuators an additional tank is not needed, but for the biggest an additional tank must be added to compensate for the oil compression and decompression. For the single line actuators an additional tank must always

be added to operate the valve. A larger tank is also needed for the biggest single line actuators due to oil compression and decompression.

**Note!**

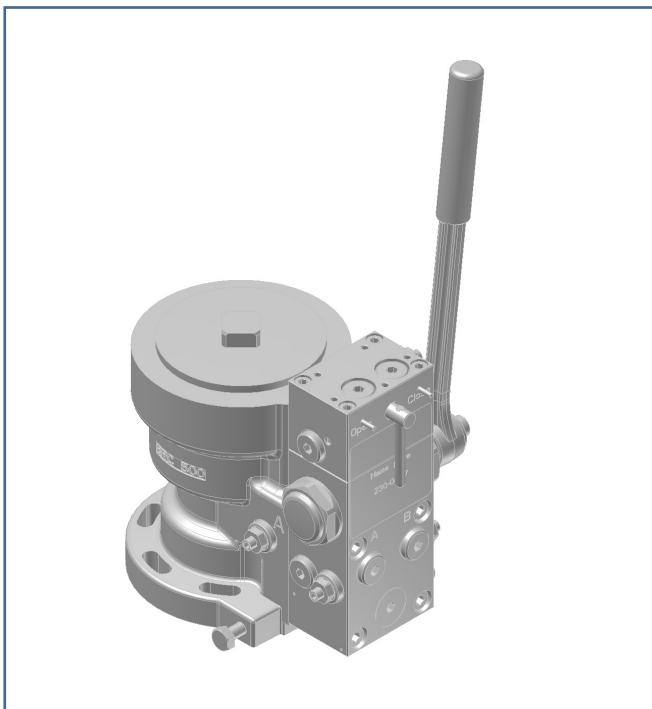
The very large actuators are not recommendable to be operated by standard handpump - ask for directions.

## Application

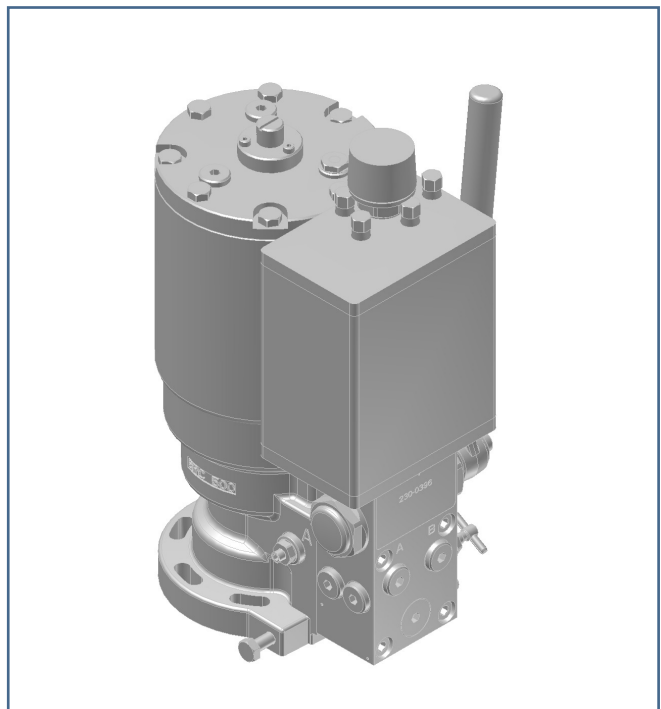
Hand pump type	Range
HP-D	BRC 125 - 2000 & KC 85 - 125
HP-D-1	BRC 4000 - 8000 & KC 250 - 400
HP-S-1	BRCF 125 - 2000
HP-S-4	BRCF 4000

Please note that a KFR must be used instead of a KF actuator with a direct mounted hand pump.

## Direct Mounted Hand Pump for HP-D, BRC 500, HP-S-1 and BRCF 500

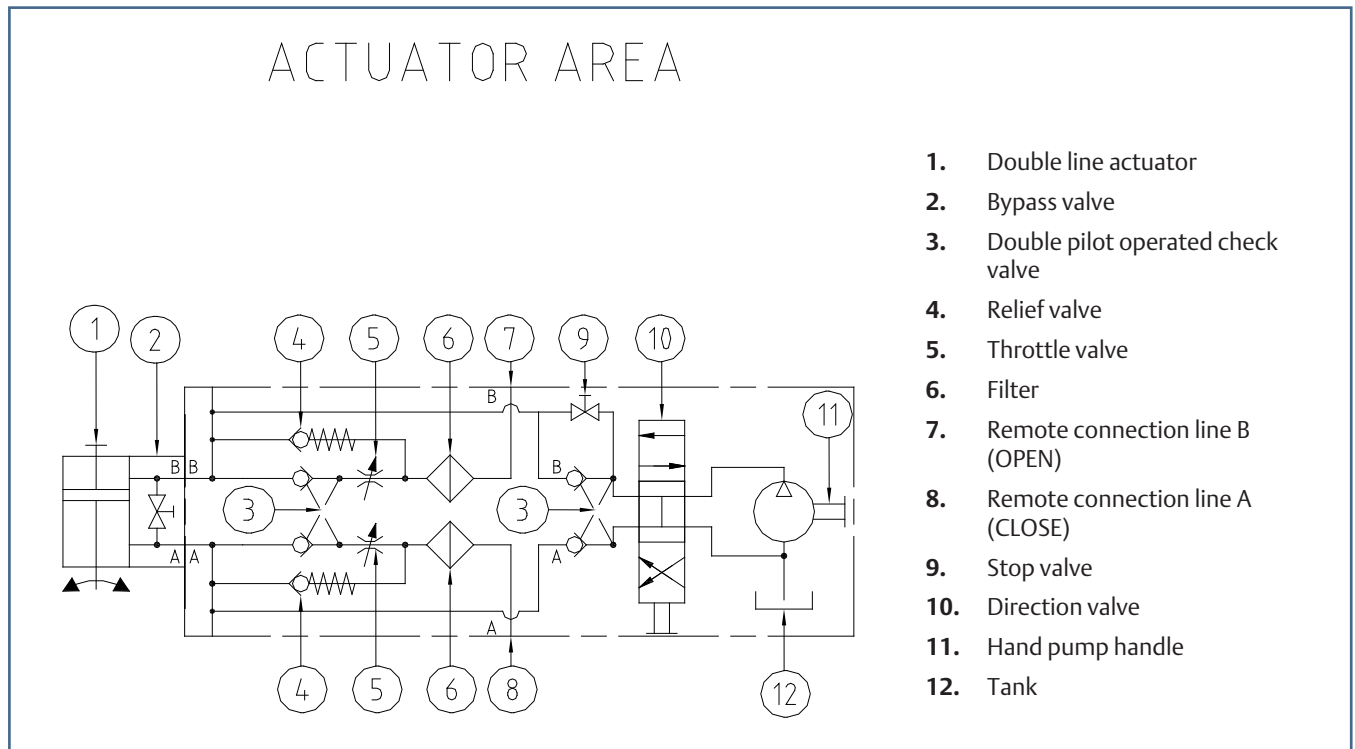


HP-D and BRC 500

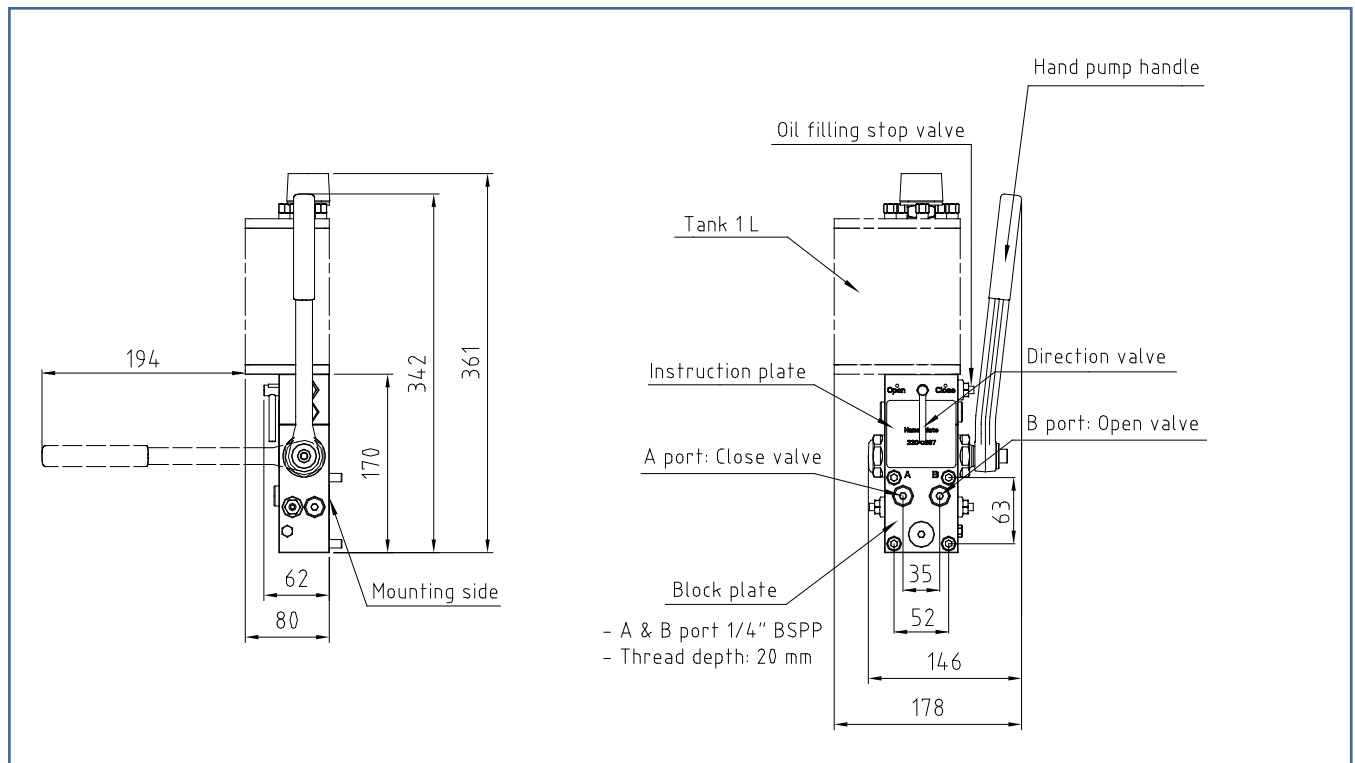


HP-S-1 and BRCF 500

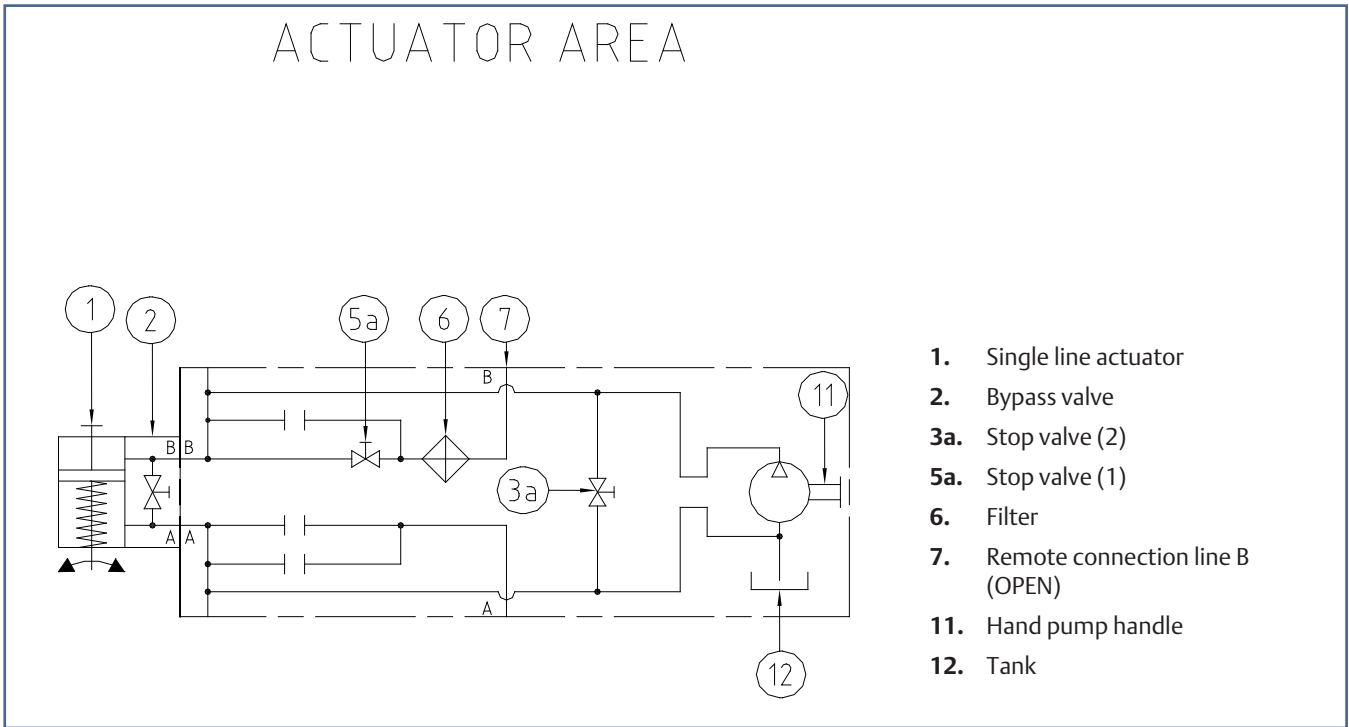
# Hydraulic Diagram for HP-D-1



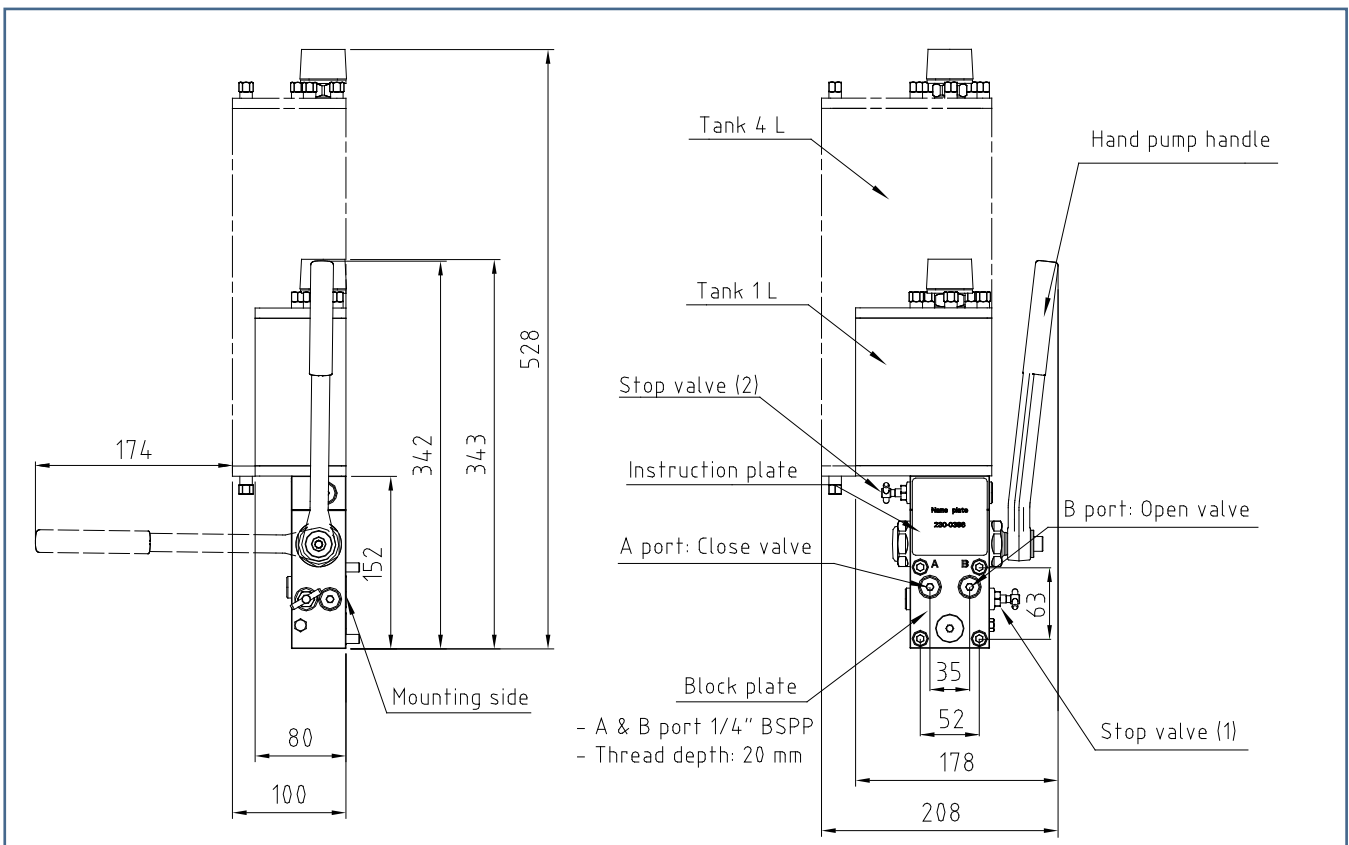
# Dimension for HP-D-1



# Hydraulic Diagram for HP-S-1/-4



# Dimensions for HP-S-1/-4





©2015 Emerson Process Management. All rights reserved.

The Emerson logo is a trademark and service mark of Emerson Electric Co. Damcos and the Damcos logotype are trademarks of Damcos A/S. All other marks are the property of their respective owners.

**Emerson Process Management**

Damcos A/S  
Aaderupvej 41  
DK-4700 Naestved  
T +45 5578 7200  
F +45 5578 7272

[www.EmersonProcess.com/mtm](http://www.EmersonProcess.com/mtm)

The contents of this publication are presented for information purposes only, and while effort has been made to ensure their accuracy, they are not to be construed as warranties or guarantees, expressed or implied, regarding the products or services described herein or their use or applicability. Standard Terms and Conditions of Sale can be issued by contacting Damcos A/S. We reserve the right to modify or improve the designs and specifications of our products at any time without notice. Damcos A/S accepts no responsibility for any errors that may appear in this publication.