

Product Data Sheet

SD 2902-2E01

July 2008

Damcos® shaft cover

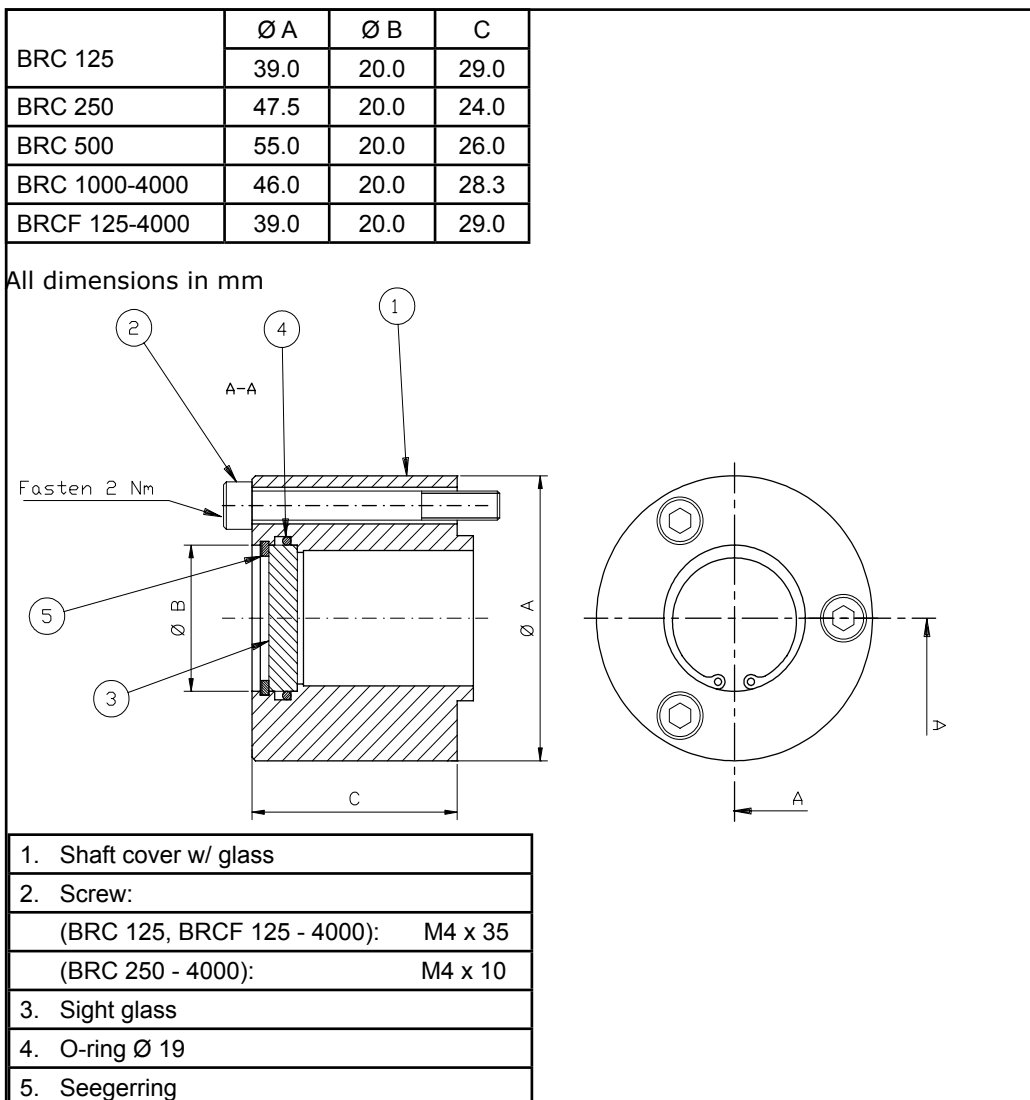
Shaft cover with sight glass for BRC/BRCF actuators

Description

This cover series protects against intrusion of fluids in indicator shaft area when the actuator is submerged or mounted under extreme conditions. For

applications where visual indication is essential during installation or maintenance of system.

Dimensions



Damcos®


EMERSON™
Process Management

Damcos® shaft cover

Materials

Shaft cover:	AISI 316
--------------	----------

The Emerson logo is a trademark and service mark of Emerson Electric Co. Damcos and the Damcos logotype are registered trademarks of Damcos A/S. All rights reserved. The contents of this publication are presented for information purposes only, and while effort has been made to ensure their accuracy, they are not to be construed as warranties or guarantees, expressed or implied, regarding the products or services described herein or their use or applicability. All sales are governed by our terms and conditions, which are available upon request. We reserve the right to modify or improve the designs and specifications of our products at any time without notice. Damcos A/S accepts no responsibility for any errors that may appear in this publication.

This product is developed and managed by:
Emerson Process Management

Damcos A/S
Aaderupvej 41
DK-4700 Naestved
T +45 5578 7200
F +45 5578 7272

For global contacts:
www.EmersonProcess.com/marine