



SKOTTEN BULKHEAD FITTING

Marine Type Approved



Data sheet **SKOTTEN bulkhead fitting**

Application:

The SKOTTEN bulkhead fitting is used for cabling transducer cables through bulkheads and decks without causing any leakage.

The SKOTTEN bulkhead fitting is type approved by DNV for cable-

penetration in bulkheads or decks limited to a pressure of 16 bar and between gas safe and gas dangerous areas. Type Approval Programme 8-471.19-1 - Water and gas tightness test.



Mounting example on open deck

Technical Specification:

The SKOTTEN bulkhead fitting consists of an outer sleeve, a nut, washers and a rubber bushing.

Material:

Type: 8-1009

Type: 165B0322

Socket: Steel SIS 2172

Nut: Brass

Washers: Galvanized steel

Rubber

bushing: Oil and seawater resistant chloroprene rubber. Standard hardness: 70° Shore.

Stainless steel 2343

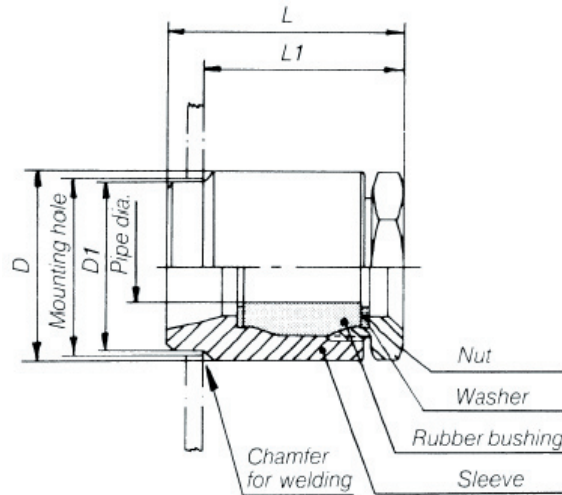
Stainless steel 2343

Stainless steel 2343

Oil and seawater resistant chloroprene rubber. Standard hardness: 70° Shore.

Dimension:

Size	Cable dia.	D	D1	L	L1	Mounting Hole	mm
1009	7-9	50	45	65	55	47	



Damcos can accept no responsibility for possible errors in catalogues, brochures and other printed material. Damcos reserves the right to alter its products without notice. This also applies to products already on order provided that such alterations can be made without subsequential changes being necessary in specifications already agreed. All trademarks in this material are property of the respective companies. Damcos and the Damcos logotype are trademarks of Damcos A/S. All rights reserved.