

PD 622 6-Channel Digital Input

PD Series 600



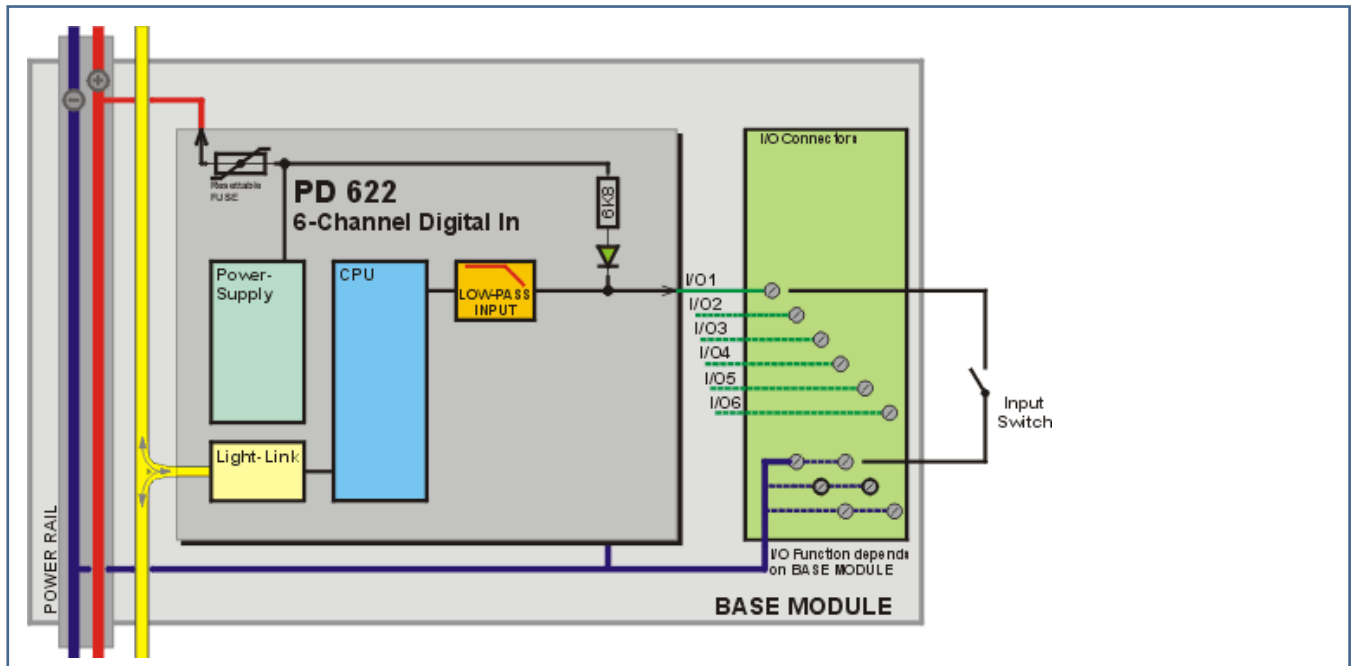
The PD 622 is a module included in the Series 600 modules and features:

- Individually configurable digital Inputs for nominal 24 volts signals
- Built in input functions
- Autonomous counting to 200 Hz
- Advanced internal self testing
- Wide power supply range
- Wide temperature range
- 2 LEDs for power on and error indication
- 1 LED for each digital channel

Introduction

The PD 622 is designed as a 6 channel input only device. It provides facilities for standard detection and counting of input signals. It is used with a BM 005 Base module.

Block Schematic



LED Indicators

Series 600 devices (including slave devices) are equipped with 2 LEDs, a green (On) for indication Power supply, and a red (Error) for indicating errors in the device. Furthermore, there is also one LED for each digital channel.

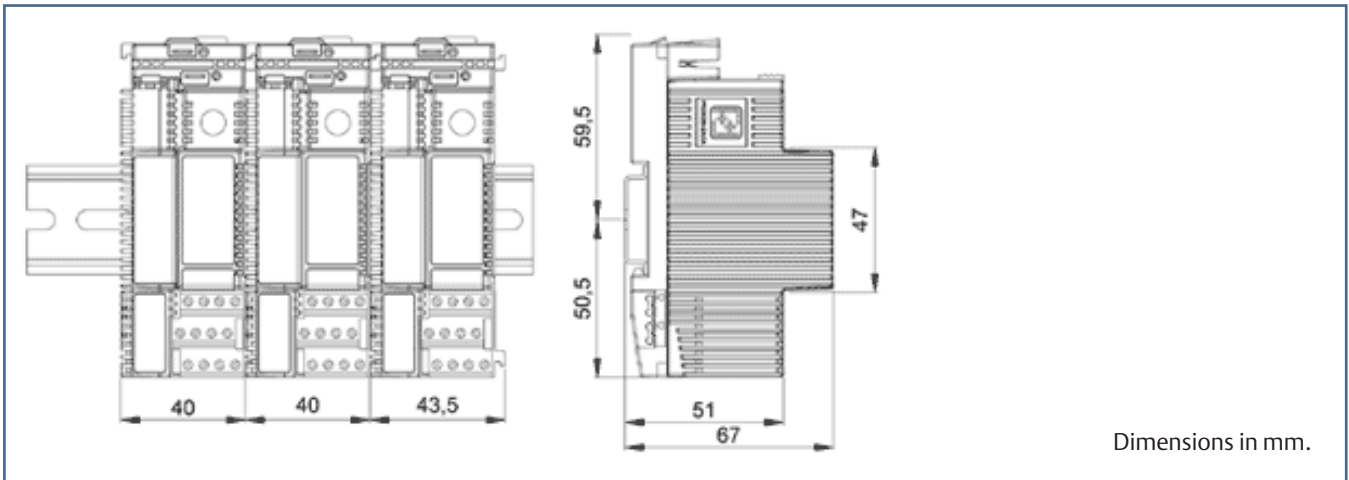
The Error LED is ON if an error occurs inside the device, which causes one of the error flags to be set to TRUE. This is for example watchdog error or error in EEPROM memory.

Channel Structure

The PD 622 consists of 7 channels as shown in the table.

| Channel | | |
|---------|--------------|--|
| No. | Name | Description |
| 0 | Service | Device identification, address and configuration |
| 1 | Digital IN 1 | General purpose Digital Input |
| 2 | Digital IN 2 | General purpose Digital Input |
| 3 | Digital IN 3 | General purpose Digital Input |
| 4 | Digital IN 4 | General purpose Digital Input |
| 5 | Digital IN 5 | General purpose Digital Input |
| 6 | Digital IN 6 | General purpose Digital Input |

Technical Specifications



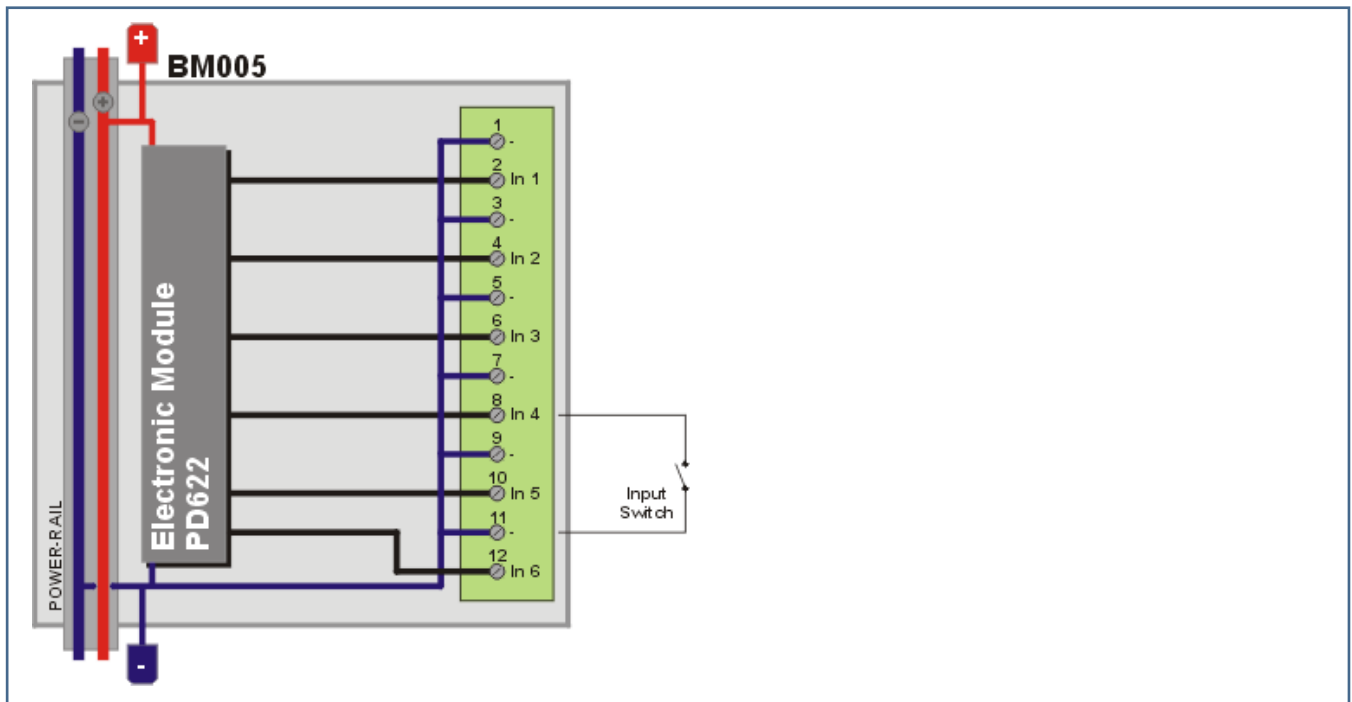
| | |
|--|-------------------|
| Weight | 140 grams approx. |
| Power supply | 18 to 32 VDC |
| Ripple | max. 5% |
| Power consumption @ 24VDC | |
| All outputs / inputs at ON | max. 45 mA |
| All outputs / inputs at OFF | max. 30 mA |
| Digital Input | |
| Input voltage at ON (Sink only) | < 3 V |
| Input voltage at OFF | > 9 V |
| Input hysteresis | min. 0.3 V |
| Input current at ON | max. 3.4 mA |
| Input frequency | max 200 Hz |
| Operation Temperature | -25 °C to + 70 °C |
| Storage temperature | -40 °C to + 85 °C |
| Interface | Light-Link |

Maritime Approvals

Meets the requirements of all the major international marine classification societies.

For more information see PDS for the PD Series 600 Introduction.

Wiring Diagram



Emerson Process Management

Damcos A/S
Aaderupvej 41
DK-4700 Naestved
T +45 5578 7200
F +45 5578 7272

www.EmersonProcess.com/mtm

©2015 Emerson Process Management. All rights reserved.

The Emerson logo is a trademark and service mark of Emerson Electric Co. Rosemount and the Rosemount logotype are registered trademarks of Rosemount Inc. Damcos and the Damcos logotype are trademarks of Damcos A/S. Damcos A/S and Rosemount Tank Radar AB are members of the Emerson Process Management family of companies. All other marks are the property of their respective owners.

Emerson Process Management

Rosemount Tank Radar AB
Box 13045
SE-40251 Sweden
T +46 31 337 00 00
F +46 31 25 30 22

www.EmersonProcess.com/mtm

The contents of this publication are presented for information purposes only, and while effort has been made to ensure their accuracy, they are not to be construed as warranties or guarantees, express or implied, regarding the products or services described herein or their use or applicability. All sales are governed by our terms and conditions, which are available on request. We reserve the right to modify or improve the designs or specifications of our products at any time without notice.

Damcos A/S and Rosemount Tank Radar AB accepts no responsibility for any errors that may appear in this publication.