

**Product Data Sheet**

SD 8614-2E01

August 2008

# **Damcos® Digital Indicator**

Type PR 5515

**Damcos®**

---

  
**EMERSON™**  
Process Management

# Damcos® Digital Indicator

---

## Advantages

- Digital indicator with watertight front, IP 65.
- 4 digit LCD display, with green back light for easy and accurate reading.
- Sensor error detection.
- Programmable via PC.
- Scaling via function keys in front.
- Current/voltage or temperature input.
- Custom linearity of input signal.



## Description

The digital indicator, type PR 5515 is a sturdy, multipurpose indicator for panel mounting, designed especially for industrial and marine applications.

The 4 digit backlit LCD display offers easy and accurate reading.

With the front operated keys the display read-outs can be scaled and decimals set.

The indicator is galvanically separated which means that both grounded and floating signals can be measured.

Resistance input with automatic cable compensation for 3 and 4 wire sensor connection.

Display indication of sensor error - signal out of range.

## Application, e.g.

Display of:

- Tank level and contents.
- Speed of rotating parts.
- Temperatures.

## Product Data Sheet

SD 8614-2E01

August 2008

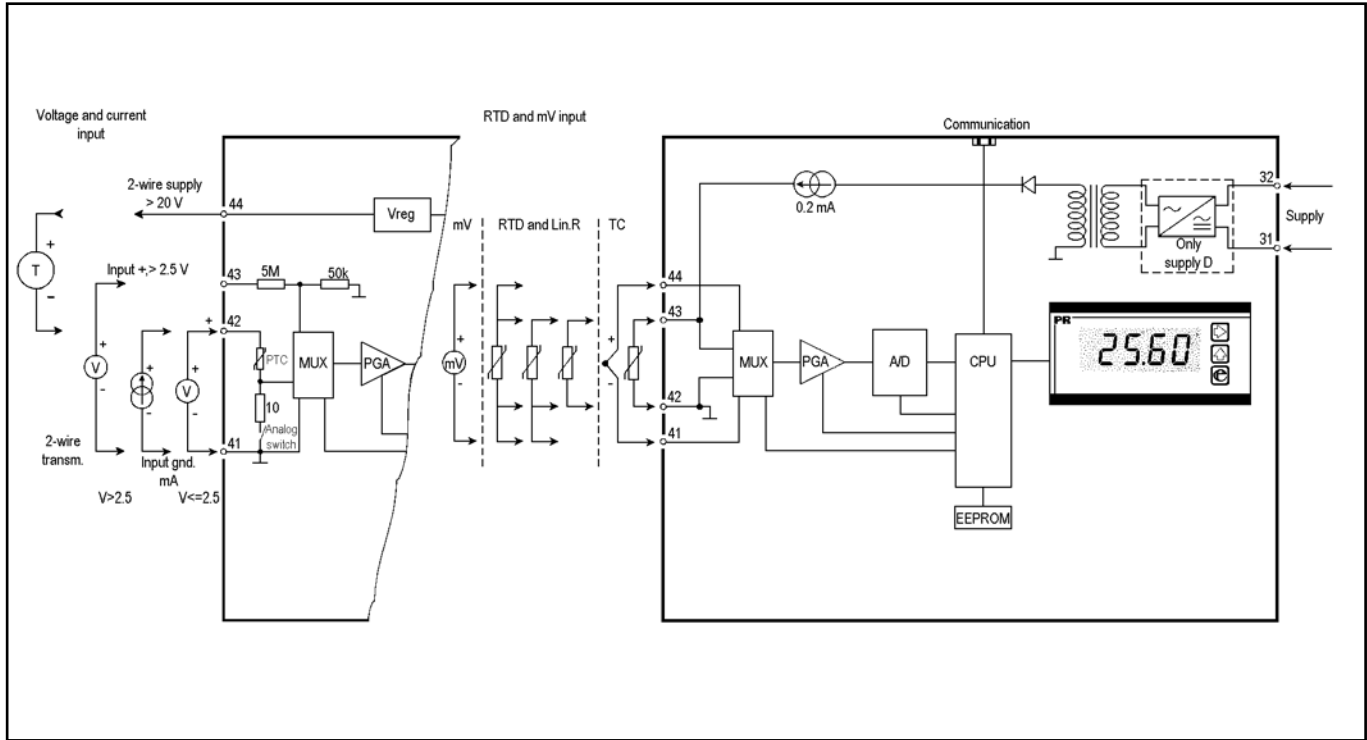
# Damcos® Digital Indicator

## Technical Specifications

Specification range:	@ -20°C to +60°C
Dimensions (HxWxD):	48 x 96 x 120 mm
Panel cut-out:	44.5 x 91.5 mm
Supply voltage:	115 V AC, 230 V AC, or 24 V AC/DC
Input examples	
PT 100	-200°C - +850°C
Ni 100	-60°C - +250°C
NiCr-Ni	-180°C - +1372°C
Voltage input	0 - 250V DC
Current input	0/4 - 20 mA DC
Internal consumption:	< 1.5 W
Display:	4 digit LCD display with green back light, 16 mm high. Updated 2.5/sec.
Indication range:	-9999 to +9999 selectable decimals
Linearity:	Custom linearity 2 - 7 points
Accuracy:	± 0.2% of indication range of standard applications
Programming:	By the PC, or with the front operated keys display read-outs are scaled and decimal points set . Linearity only by the PC
Output:	Auxiliary supply 20 v DC/20 mA for supply of 2-wire transmitter
Option:	Relay output (PR 5514)

# Damcos® Digital Indicator

## Connections



The Emerson logo is a trademark and service mark of Emerson Electric Co. Damcos and the Damcos logotype are registered trademarks of Damcos A/S. All rights reserved. The contents of this publication are presented for information purposes only, and while effort has been made to ensure their accuracy, they are not to be construed as warranties or guarantees, expressed or implied, regarding the products or services described herein or their use or applicability. All sales are governed by our terms and conditions, which are available upon request. We reserve the right to modify or improve the designs and specifications of our products at any time without notice. Damcos A/S accepts no responsibility for any errors that may appear in this publication.

**This product is developed and managed by:**  
**Emerson Process Management**  
 Damcos A/S  
 Aderupvej 41  
 DK-4700 Naestved  
 T +45 5578 7200  
 F +45 5578 7272

**For global contacts:**  
[www.EmersonProcess.com/marine](http://www.EmersonProcess.com/marine)



**EMERSON**  
 Process Management