

Product Data Sheet

SD 3013-2E01

October 2011

Damcos™ CB

CB-ESD-NG-6 Control Block

Description

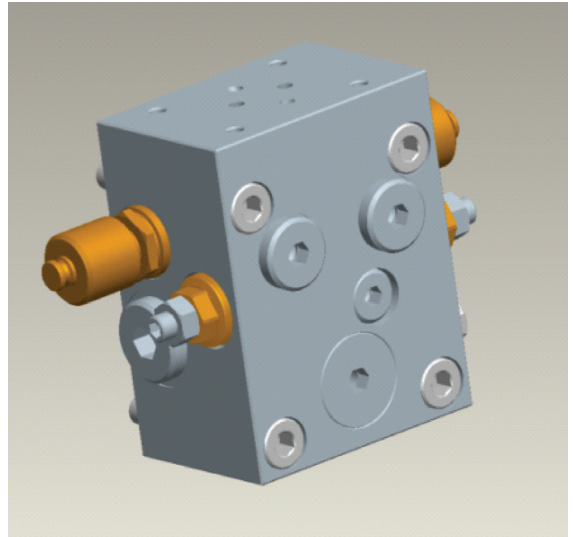
Standard control block for mounting on 2-line actuators. It is mounted with pilot operated check valve, relief valve, throttle valve and hand pump quick connections.

The ESD functionality in this block is patented. Eliminating risk of releasing ESD capacity and allowing yard to minimize A & B pipe dimensions saving cost.

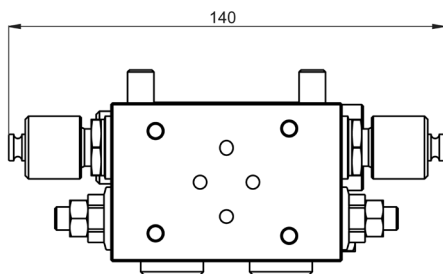
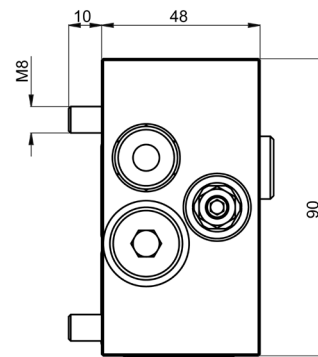
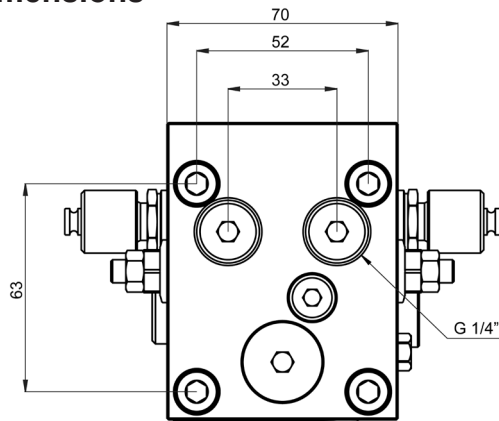
The NG-6 functionality offers the possibility for connecting CETOP3 equipment.

Available type:

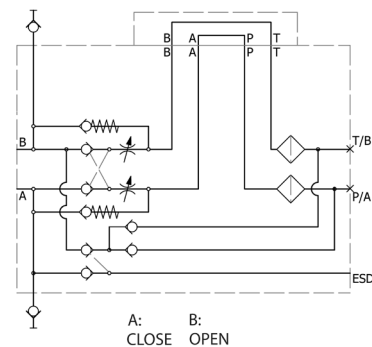
- CB 2-PCV-R-T-H-(E)-ESD-NG-6



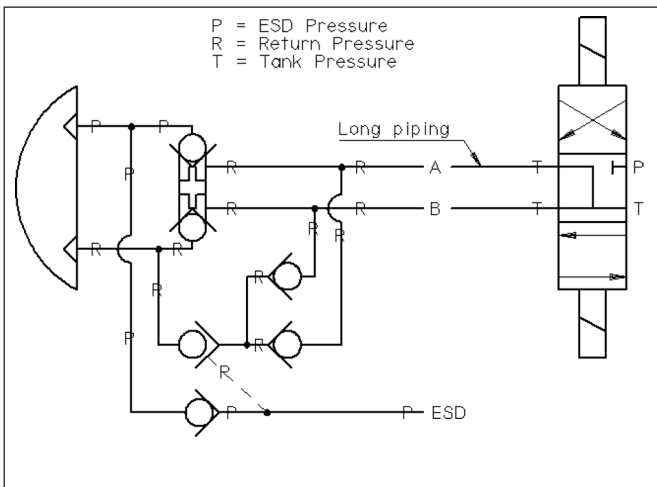
Main Dimensions



CB-2-PCV-R-T-H-(E)-ESD



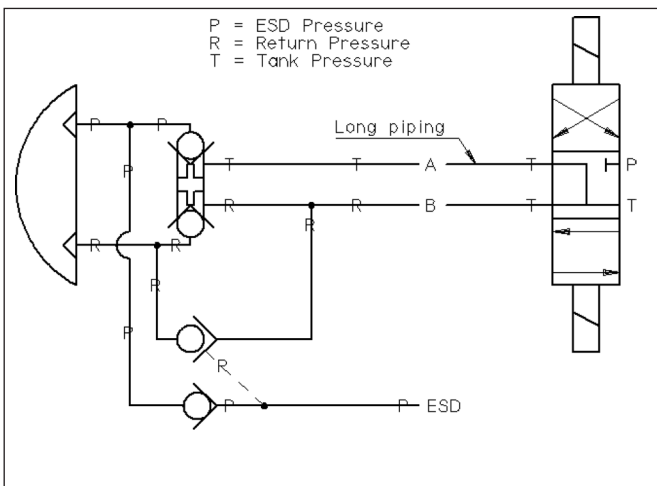
Damcos™ CB



Patented ESD functionality

Ensure 50% lower return pressure with same parameter.

Patented ESD ensure 6 bar return pressure preventing ESD oil to escape. (100m pipe ID10 flow 2 L/min viscosity 100 cST).



Traditional ESD functionality

Use only one pipe as return pressure.

Traditional use gives 12 bar return pressure and risk of releasing ESD oil to tank side. (100m pipe ID10 flow 2 L/min viscosity 100 cST).

The Emerson logo is a trademark and service mark of Emerson Electric Co. Damcos and the Damcos logotype are registered trademarks of Damcos A/S. The Rosemount trademark and logotype are registered trademarks of Rosemount Inc. All rights reserved. The content of this publication are presented for information purposes only, and while efforts have been made to ensure their accuracy, they are not to be construed as warranties or guarantees, expressed or implied, regarding the products or services described herein or their use or applicability. All sales are governed by our terms and conditions, which are available upon request. We reserve the right to modify or improve the designs or specifications of our products at any time without notice. Damcos A/S accepts no responsibility for any errors that may appear in this publication.

This product is developed and managed by:

Emerson Process Management

Damcos A/S
Aaderupvej 41
DK-4700 Naestved
T +45 5578 7200
F +45 5578 7272

For global contacts:

www.EmersonProcess.com/mtm