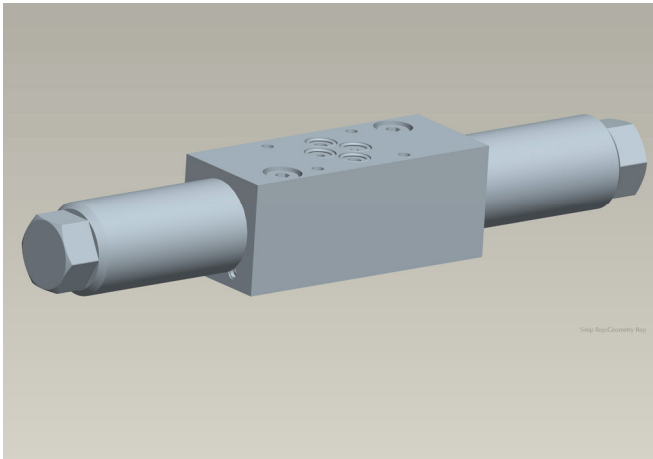
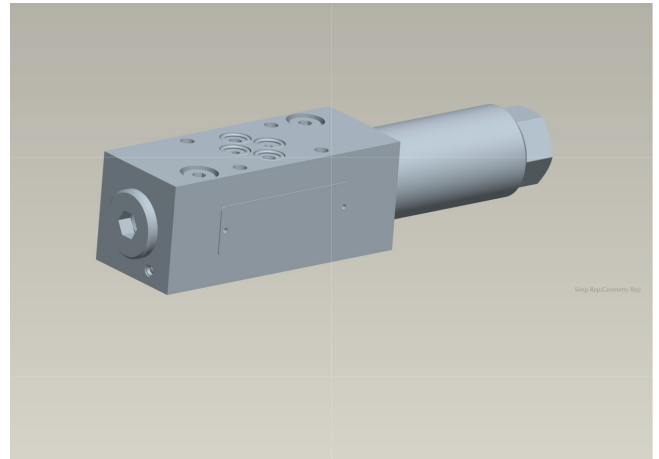


Damcos™ DRLV-3 and SRLV-3

Double and Single Pressure Reduction Valve



DRLV-3



SRLV-3

Description

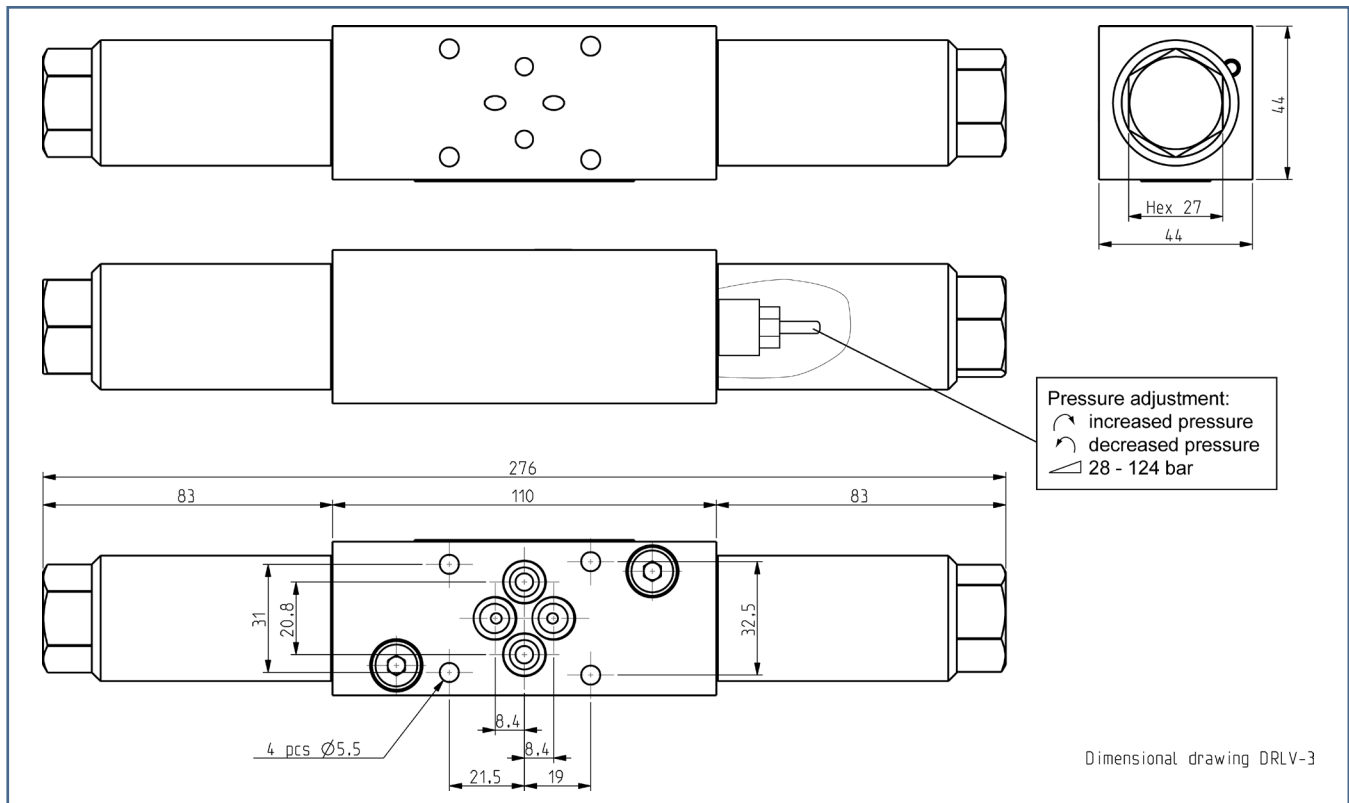
The DRLV-3 and SRLV-3 is a double and a single pressure reduction valve used to reduce actuators torque/thrust. It adjust actuators with a high torque/thrust to protect the valve. The DRLV-3 and SRLV-3 are used both for rotary and linear actuators that in some cases provides too high torque/thrust to the valves.

To mount pressure reduction valves on the actuator a CB or CBF block with NG6 connection is used - a P3 block is used to close the sandwich (see application example).

Technical Data	
Oil viscosity	10 - 800 cSt
Temkperature range	20 to -80 °C
Maximum contamination	20/18/15 According to ISO 4406
Maximum pressure	225 bar
Maximum working pressure	135 bar
Weight	2.5 kg DRLV-3 2.2 kg SRLV-3
Materials	Body of brass
Seals	NBR
Mounting surface	Cetop-3/NG-6

Main Dimensions

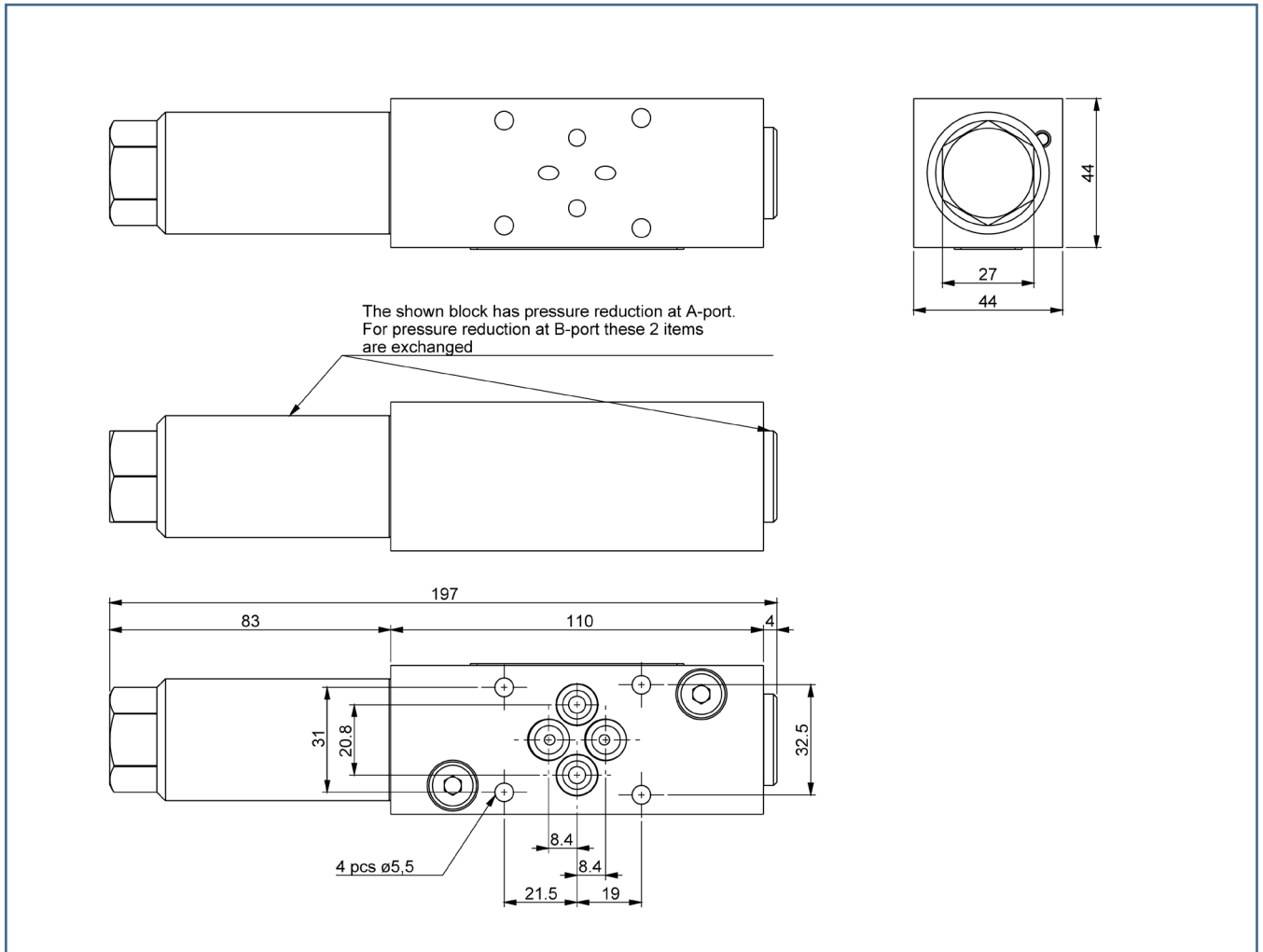
DRLV-3



Note!

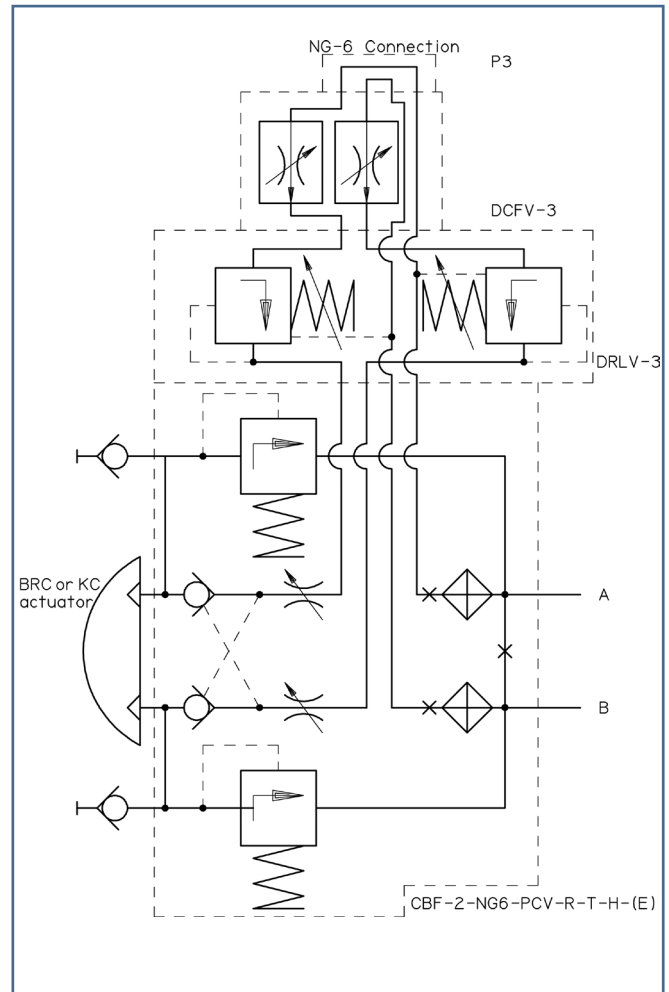
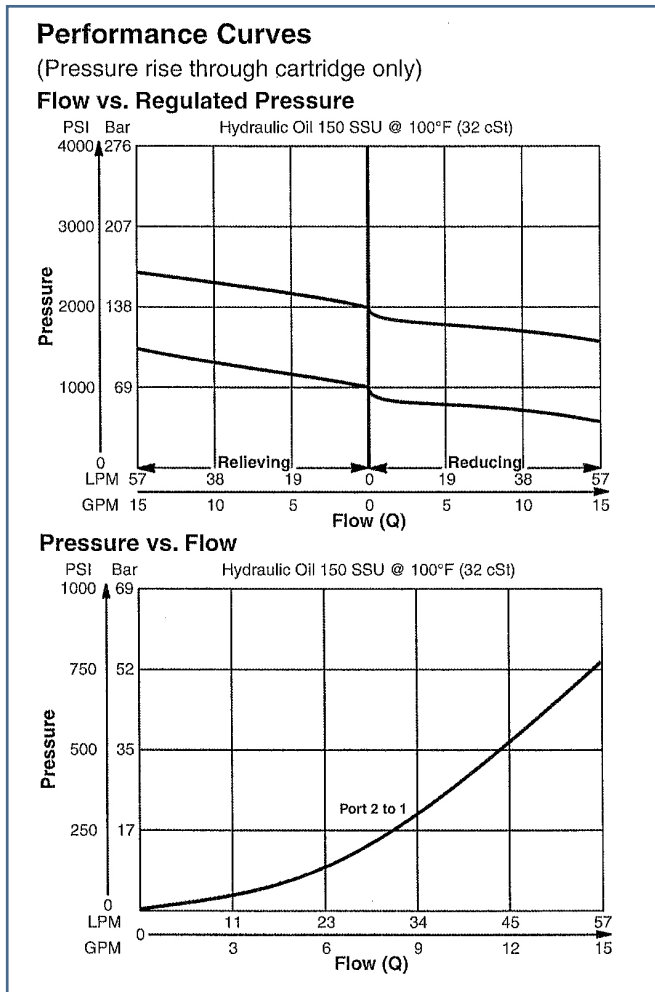
Pressure adjustment applies to both DRLV-3 and SRLV-3!

SRLV-3



Performance Curve DRLV-3

Application Example



©2014 Emerson Process Management. All rights reserved.

The Emerson logo is a trademark and service mark of Emerson Electric Co. Rosemount and the Rosemount logotype are registered trademarks of Rosemount Inc. Damcos and the Damcos logotype are trademarks of Damcos A/S. Damcos A/S is a member of the Emerson Process Management family of companies. All other marks are the property of their respective owners.

Emerson Process Management
Damcos A/S
Aaderupvej 41
DK-4700 Naestved
T +45 5578 7200
F +45 5578 7272
www.EmersonProcess.com/mtm

The contents of this publication are presented for information purposes only, and while effort has been made to ensure their accuracy, they are not to be construed as warranties or guarantees, express or implied, regarding the products or services described herein or their use or applicability. All sales are governed by our terms and conditions, which are available on request. We reserve the right to modify or improve the designs or specifications of our products at any time without notice. Damcos A/S accepts no responsibility for any errors that may appear in this publication.