

Damcos™ BRCF 125 - 90 bar

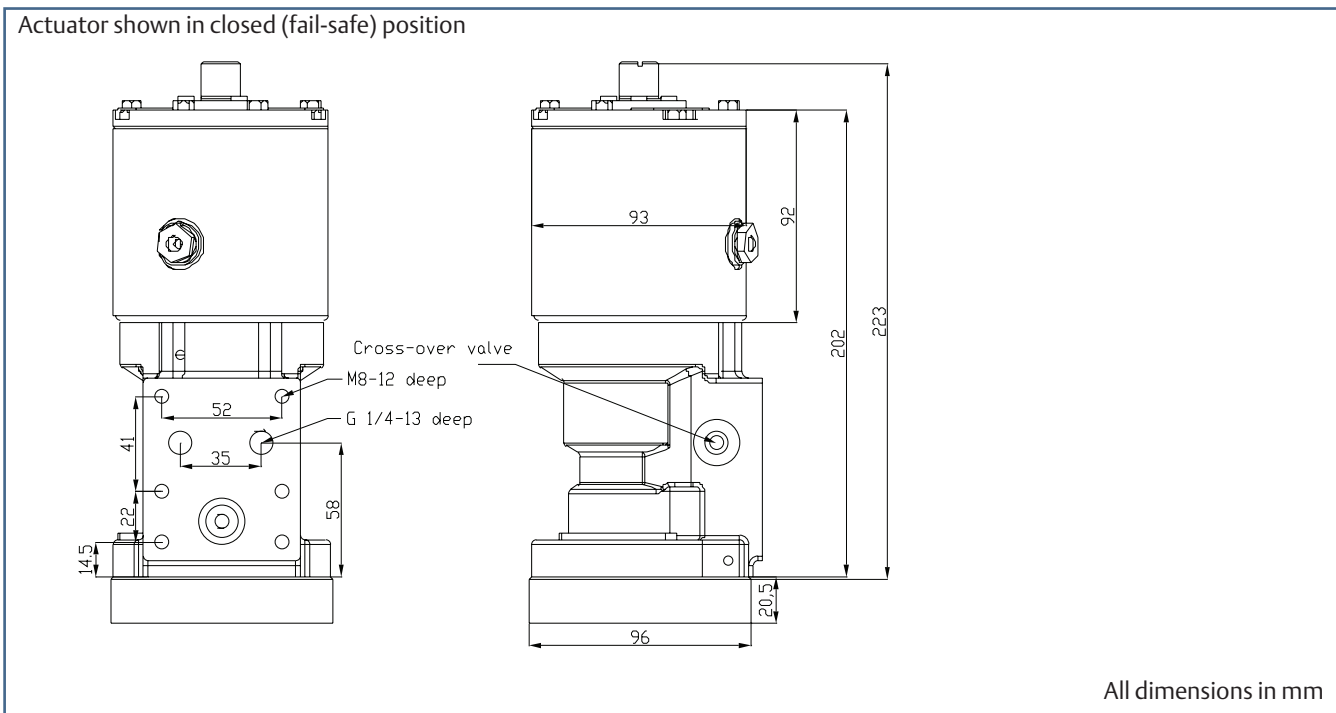
Hydraulic single-acting balanced rotary actuator 90°
(Quarter-turn) fail-safe



Main Data

Working pressure	90 bar
Burst test	675 bar
Total dry weight incl. mounting set (1.4 kg)	8.6 kg
Oil displacement	0.026 l
Temperature range	-20°C to +80°C
Rotation	90° ±1°
Hydraulic media and viscosities	We recommend acid-free hydraulic oil. Viscosity range: 15-200 cSt. For recommended brands and for other media than oil please refer to separate data sheet.

Main Dimensions



Valve adaption:

Approx. 5°

Adapter

Intermediate flange

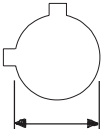
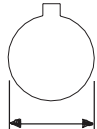
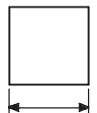
Max. valve shaft intrusion: 45

Adjustment screw, torque: 3 Nm

7.5° 7.5°

Fastning nut, torque: 7 Nm

Limits for the machining of the adapter. Other shapes on request, please contact DMS.

Shape			
Machined acc. to:	DIN 6885		DIN 79
mm (max.):	17		16

All dimensions in mm.

Performance

Performance:

Torque

Nm

break away opening 45

90 bar (normal working pressure)

Spring return

end closing 21

0° closed

90° open

38 break away closing

22 end opening

Spring action

Hydraulic action

open closed

Operation port (B)

Emerson Process Management

Damcos A/S
Aaderupvej 41
DK-4700 Naestved
T +45 5578 7200
F +45 5578 7272

www.EmersonProcess.com/mtm

©2012 Emerson Process Management. All rights reserved.

The Emerson logo is a trademark and service mark of Emerson Electric Co. Damcos® and the Damcos logotype are registered trademarks of Damcos A/S. All rights reserved.

The contents of this publication are presented for information purposes only, and while effort has been made to ensure their accuracy, they are not to be construed as warranties or guarantees, expressed or implied, regarding the products or services described herein or their use or applicability. Standard Terms and Conditions of Sale can be issued by contacting Damcos A/S. We reserve the right to modify or improve the designs and specifications of our products at any time without notice.