

Damcos DFI

Direction Flow Position Indicator



Description

The Direction Flow Position Indicator DFI is designed to locally and remotely indicate the position of hydraulically operated double acting Actuators (ON/OFF type).

The DFI can be mounted with a 4/2 way solenoid valve on a common manifold (standard CETOP-3) remote from the actuator, thus avoiding installation of electrical position indicator on actuator including cables in the field and hence the cost involved.

In this way problems are overcome as to indicating the valve position also when Actuator is submerged and/or installed in hazardous area.

The DFI indicates the position of the valve by measuring the actual flow direction to A or B of the actuator. The design ensure both a local visual and an electrical signal made available to the user and automation system.

Features

- Plug and Play - No exchange of parts or adjustment due to actuator size
- Very low pressure drop
- Easy electrical installation “standard Din plug”
- Indication of valve moving, no electrical signal while valve is moving / operating
- Discrete output signals for open and closed valve
- IP 65
- Compact Design
- Electrical connection according to DIN EN 175301-803

Visual Position Indication



Open position



Closed position

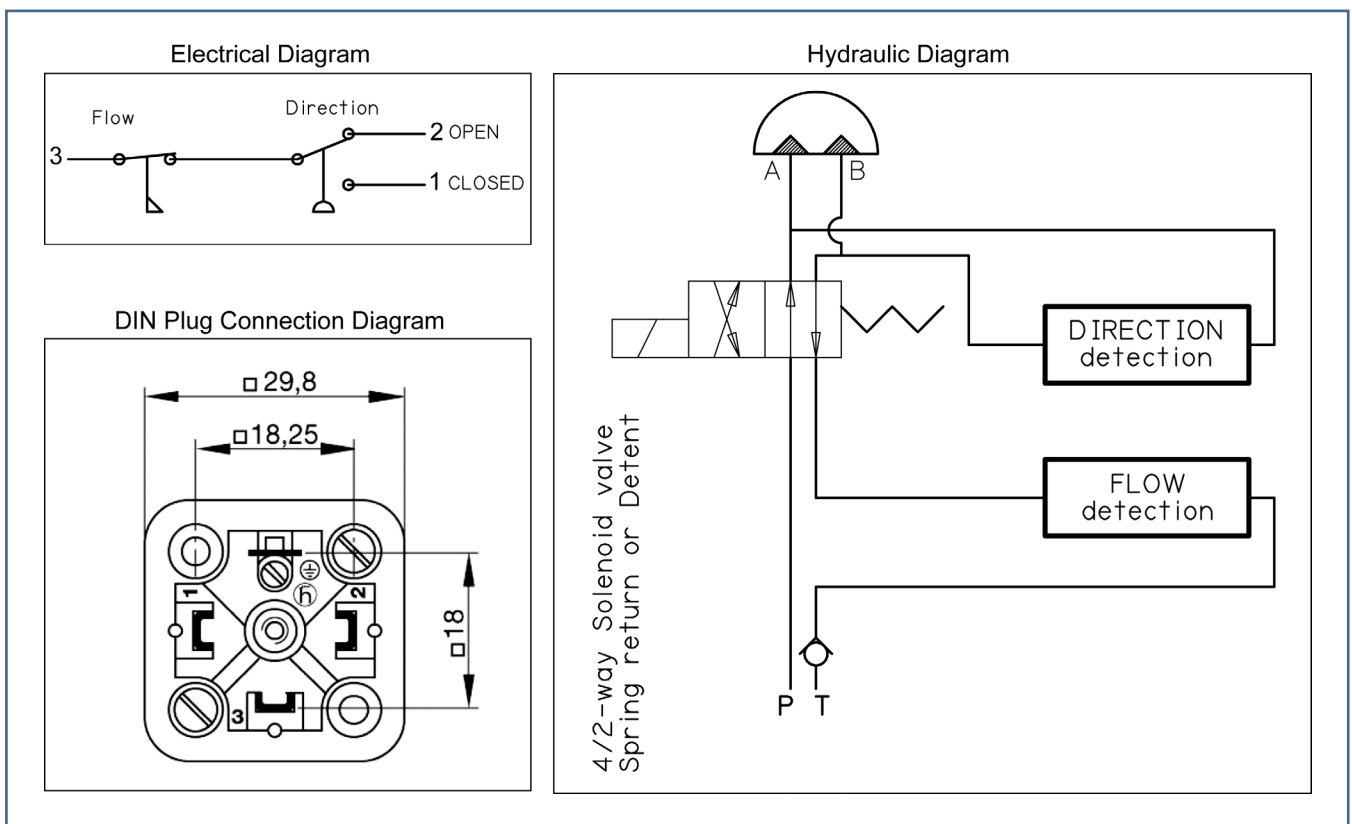
Note!

The DFI indicator is only to be used with double acting actuators controlled as ON/OFF!

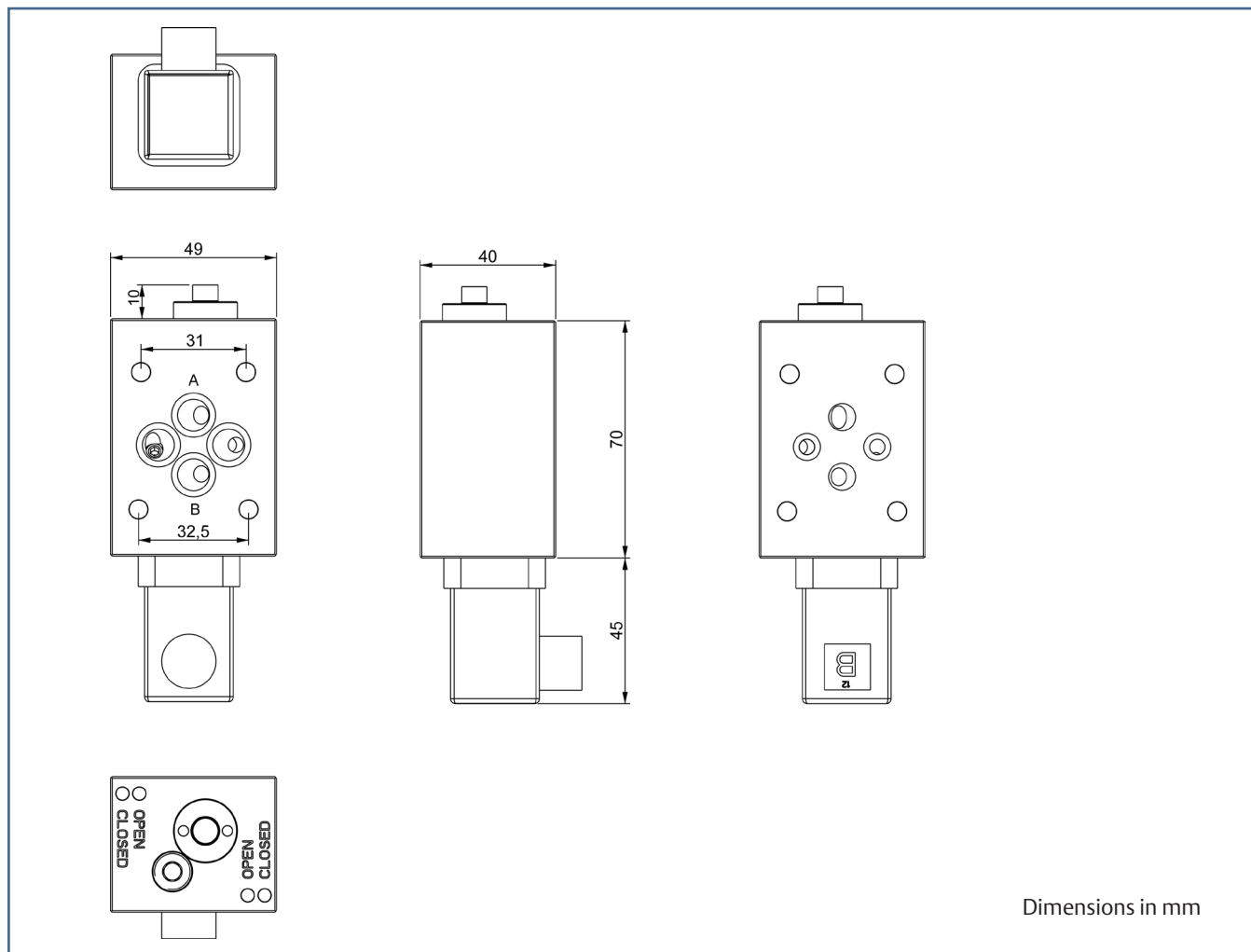
Technical Specifications

Connection	Cetop-3 face ISO 4401-3
Working pressure	135 bar
Burst pressure	Above 700 bar
Media	Hydraulic oil (see Recommended choice of Oil)
Temperature	-5 ° to +70 °C
Materials	AlMgSi1, MS58
Voltage / Current	24 VDC, 0.1 A
Weight	0.45 kg
IP-rating	IP 65
Pressure drop A + B + T	8 bar at 1 l/min 11 bar at 11 l/min
Flow range	0.2 to 10 l/min
Electrical Plug	DIN EN 175301-803

Hydraulic and Electrical Diagram



Dimensions



©2015 Emerson Process Management. All rights reserved.

The Emerson logo is a trademark and service mark of Emerson Electric Co. Damcos and the Damcos logotype are trademarks of Damcos A/S. All other marks are the property of their respective owners.

Emerson Process Management

Damcos A/S
Aaderupvej 41
DK-4700 Naestved
T +45 5578 7200
F +45 5578 7272

www.EmersonProcess.com/mtm

The contents of this publication are presented for information purposes only, and while effort has been made to ensure their accuracy, they are not to be construed as warranties or guarantees, expressed or implied, regarding the products or services described herein or their use or applicability. Standard Terms and Conditions of Sale can be issued by contacting Damcos A/S. We reserve the right to modify or improve the designs and specifications of our products at any time without notice. Damcos A/S accepts no responsibility for any errors that may appear in this publication.