

Rosemount TMU 51

Temperature Measuring Unit



The Rosemount TMU 51 Temperature Measuring Unit is an integrated part of the Rosemount CMS system from Emerson.

- Robust stainless steel design for installation on deck flange
- Inherently safe temperature transmitter, with communication to Tank Radar Gauges
- Enables temperature measurements of the cargo and vapor inside the tanks
- Suited for up to five spot temperature sensors

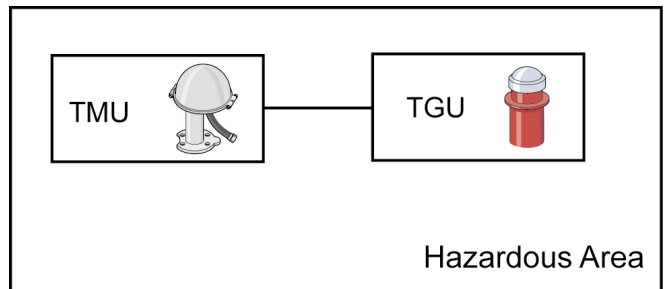
Description

The TMU 51 Temperature Measuring Unit enables temperature measurements of the cargo and vapor inside the tanks. The mechanical outline makes it a suitable choice for deck installations.

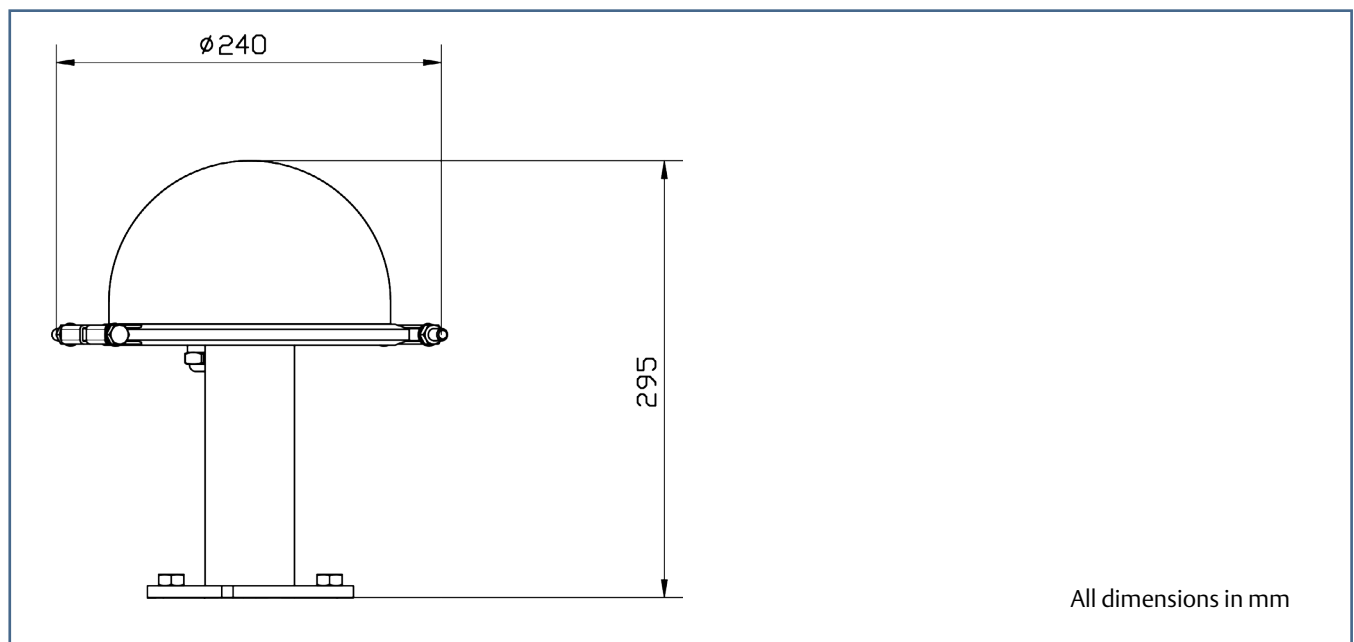
Up to five temperature sensors, distributed over the tank height, can be connected to the unit.

The sensor is based on a Pt100 element with a three wire connection, or alternatively a four wire connection.


The unit communicates with the Rosemount TGU Tank Radar Gauge through a sensor bus, which in turn transmits the processed data to the Rosemount SCU Supply and Communication Unit.



Dimensional Drawings



Technical Specification

TMU 51		
General Specification		
Accuracy, excluding sensor	±0.15 °C	
Accuracy, Pt100 sensor	±0.3 °C + 0.005 ΔT for Pt100 Class B sensor (ex. ±0.3 at 0 °C and ±0.55 at 50 °C)	
Measuring range with PT100	-170 ° to 250 °C	
Number of sensors	Standard: 1 - 3 Option: 4 - 5	
Signal interface	RS-485 for communication with TGU	
Electrical Specification		
Cable to Tank Radar Gauge	Cable type	Multicore; two twisted pair with at least a common shield (Supplied by yard)
	Lead area	0.5 to 1.5 mm ²
	Outer diameter	6 to 21 mm
	Cable length	Maximum 50 m
Mechanical Specification		
Housing material	Stainless steel 316L	
Weight	5.4 kg	
Flange	Fits DN 50 PN6 and JIS 5K-50A	
Environment Specification		
Ingress protection	IP 66	
Ambient temperature	-40 to + 70 °C	
Approvals		
Marine approvals	ABS, BV, CCS, DNV-GL, KR, LR, NK, RINA	
Explosion protection	Intrinsically safe	ATEX:  II 1 G Ex ia IIC T4 Ga IECEX: Ex ia IIC T4 Ga INMETRO: Ex ia IIC T4 Ga

©2016 Emerson Process Management. All rights reserved.

The Emerson logo is a trademark and service mark of Emerson Co. Rosemount and the Rosemount logotype are registered trademarks of Rosemount Inc. TankRadar is a trademark of Rosemount Tank Radar AB. Rosemount Tank Radar AB is a member of the Emerson Process Management family of companies. All other marks are the property of their respective owners.

Emerson Process Management

Rosemount Tank Radar AB
Box 150
SE-435 23 Mölnlycke
T +46 31 337 00 00
F +46 31 25 30 22

www.EmersonProcess.com/mtm

The contents of this publication are presented for information purposes only, and while effort has been made to ensure their accuracy, they are not to be construed as warranties or guarantees, expressed or implied, regarding the products or services described herein or their use or applicability. Standard Terms and Conditions of Sale can be issued by contacting Rosemount Tank Radar AB. We reserve the right to modify or improve the designs and specifications of our products at any time without notice. Rosemount Tank Radar AB accepts no responsibility for any errors that may appear in this publication.

