

6350 and 6360 Series Pilot Construction

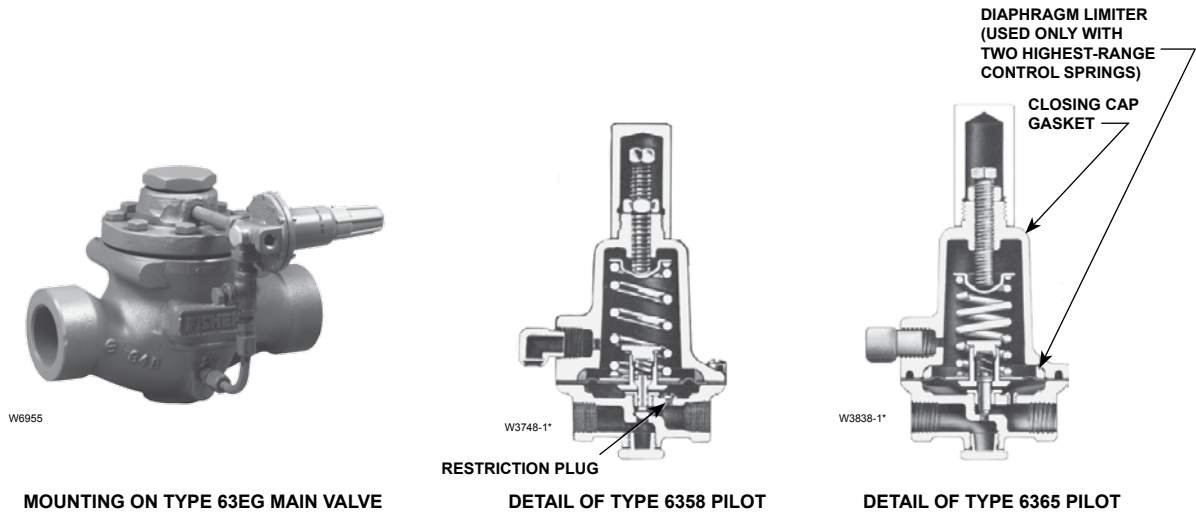


Figure 1. Typical Pressure Relief or Backpressure Pilot Constructions

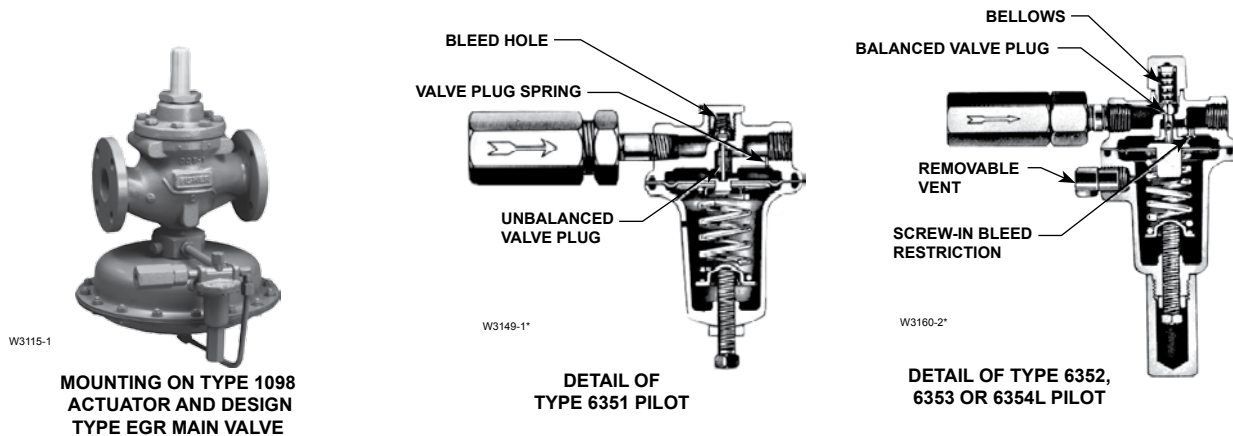


Figure 2. Typical Pressure Reducing Pilot Constructions

Introduction

A 6350 or 6360 Series pilot (Figure 1 or 2) is typically used with one of several different main valves in a pressure reducing, pressure relief, or backpressure application (see Table 1). All of these pilots can be used in gas service, and all except the

Type 6351 pilot can be used in liquid service. All pilots described in this bulletin have an easily-installed valve plug that can be removed without removing the valve plug stem guide.

Bulletin 71.8:6350

Specifications

The Specifications section on this page provides the ratings and other specifications for the 6350 and 6360 Series. Factory specifications are stamped on the pilot spring case at the factory.

Available Configurations

See Table 1

Maximum Inlet Pressure⁽¹⁾

See Table 2 or 3, but cannot exceed maximum inlet pressure for complete regulator or relief valve, whichever is less

Outlet (Control) Pressure Ranges For Pressure Reducing Pilots

See Table 2

Set Pressure Ranges For Relief or Backpressure Pilots

See Table 3

Construction Materials

Type 6351 Pilot

Body, Body Plug and Spring Case: Aluminum

Valve Plug Stem: Brass (standard) or Stainless steel

Diaphragm, O-rings and Gaskets: Nitrile (NBR) (standard), Fluorocarbon (FKM) or Composition

Type 6352, 6353, 6354L, 6354M or 6354H Pilot

Body, Body Plug, Spring Case and Closing Cap: Aluminum (standard) or Stainless steel

Diaphragm: Nitrile (NBR), Fluorocarbon (FKM) or Ethylenepropylene (EPR)

Types 6354M and 6354H Diaphragm Limiter: Aluminum

O-rings and Soft Parts: Nitrile (NBR) (standard) or Fluorocarbon (FKM)

6358 Series Pilot

Body, Body Plug, Spring Case and Closing Cap: Aluminum (standard) or Stainless steel

Valve Plug and Stem: Nitrile (NBR) (standard) or Fluorocarbon (FKM) plug and stainless steel stem

Diaphragm: Nitrile (NBR) (standard) or Fluorocarbon (FKM)

Stem Guide and Valve Spring: Stainless steel

O-rings and Gaskets: Nitrile (NBR) (standard), Fluorocarbon (FKM) or Composition

Type 6365 Pilot

Body and Spring Case: Aluminum

Valve Plug and Stem: Polyethylene

Diaphragm: Nitrile (NBR)

Stem Guide and Valve Spring: Stainless steel

Control Spring: Plated steel

Filter (if used): Brass (Type P594-1 standard) or aluminum (Type P593-1)

Vents: Plastic

Material Temperature Capabilities⁽¹⁾

Standard Elastomers: -20 to 150°F / -29 to 66°C

High-Temperature Elastomers: 0 to 300°F /

-18 to 149°C, except 0 to 180°F / -18 to 82°C for water service

Connections⁽²⁾

NPS 1/4 female

Approximate Weight

2 lbs / 1 kg

Additional Options

See Table 1

1. The pressure/temperature limits in this Bulletin, and any applicable standard or code limitations should not be exceeded.

2. Connections threaded to various national or international standards can usually be supplied. Contact your local Sales Office.

Table 1. Available Configurations

CONSTRUCTION FEATURE		TYPE NUMBER				
		6351	6352, 6353, 6354L, 6354M, 6354H	6365	6358	6358B, 6358EB, 6358EBH
Unbalanced valve plug		X		X	X	X
Balanced valve plug (specify when rapidly changing loads or varying supply pressures are anticipated)			X			
Standard gain (will be provided unless otherwise specified)	Fixed restriction and no letter code on body	X				
	Field-changeable green-coded restriction screw and S stamped on body		X			
	Field-changeable yellow-coded restriction screw and H stamped on body			X		X
	Plugged restriction with bleed through valve plug				X	
Optional lower gain (field-changeable red-coded restriction screw and S stamped on body)			X		X	
Optional low gain for liquid service and/or broader proportional bands	Threaded restriction without screw and with L stamped on body		X			X
Optional high gain for narrower proportional bands (such as with low-differential boiler fuel service)	Field-changeable red-coded restriction screw and H on body		X			
P590 Series filter	Standard	X	X			
	Optional			X	X	X
Standard spring case	Drilled no vent or closing cap	X				
	1/4 in. / 6.4 mm tapped with removable vent and gasketed closing cap for remote venting or for pressure loading applications		X	X	X	X
Handwheel	Optional		X			
Spring case for Type 661 Kixel™ pilot drive unit mounting	Optional	X	X	X	X	X
Sour gas service constructions			X	X	X	X

Table 2. Outlet (Control) Pressure Ranges for Pressure Reducing Pilots

TYPE NUMBER		MAXIMUM INLET PRESSURE ⁽¹⁾		OUTLET (CONTROL) PRESSURE RANGE		PILOT CONTROL SPRING DATA	
		psig	bar	psig	bar	Color Code	Part Number
Without diaphragm limiter	6351	600	41.4	3 to 20 5 to 35 35 to 100	0.21 to 1.4 0.34 to 2.4 2.4 to 6.9	Green Cadmium Red	1B986027212 1B788327022 1K748527202
	6352			14 in. w.c. to 2 psig 2 to 10	35 mbar to 0.14 bar 0.14 to 0.69	Yellow Black	14A9672X012 14A9673X012
	6353			3 to 40 35 to 100	0.21 to 2.8 2.4 to 6.9	Yellow Red	1E392527022 1K748527202
	6354L			85 to 200	5.9 to 13.8	Blue	1L346127142
With diaphragm limiter	6354M			175 to 220	12.1 to 15.2	Blue	1L346127142
	6354H			200 to 300	13.8 to 20.7	Green	15A9258X012

1. Maximum inlet pressure for complete regulator, if less than this value, cannot be exceeded.

Table 3. Set Pressure Ranges for Relief or Backpressure Pilots

PILOT TYPE	MAXIMUM INLET PRESSURE		SPRING RANGE ⁽¹⁾		PART NUMBER	SPRING COLOR
	psig	bar	psig	bar		
6365	50	3.45	14 in. w.c. to 2 psig	35 mbar to 0.14 bar	14A9672X012	Yellow
6358	150	10.3	3 to 18	0.21 to 1.24	1B986027212	Green
			10 to 40	0.69 to 2.76	1E392527022	Yellow
			20 to 125	1.4 to 8.62	1K748527202	Red
6358B			2 to 10	0.14 to 0.69	14A9673X012	Black
			3 to 18	0.21 to 1.24	1B986027212	Green
			10 to 30	0.69 to 2.07	1B788327022	Silver
			15 to 40	1.03 to 2.76	1E392527022	Yellow
			30 to 60	2.07 to 4.14	1B788427022	Blue
			10 to 125	0.69 to 8.62	1K748527202	Red
6358EB	650	44.8	75 to 140	5.17 to 9.65	17B1261X012	Green
			130 to 200	8.96 to 13.8	17B1263X012	Blue
			180 to 350	12.4 to 24.1	17B1264X012	Red
6358EBH			250 to 450	17.2 to 31.0	17B1263X012	Blue
			400 to 600	27.6 to 41.4	17B1264X012	Red

1. Main valve may limit advertised spring range.

Construction

Refer to the Specifications section on page 2. Review the description to the right of each specification and in the referenced tables; specify the desired selection wherever there is a choice to be made.

Always specify the type number of other desired equipment as well as the pilot. The standard-gain pilot restriction will be provided automatically unless an optional-gain restriction is ordered.

Industrial Regulators

Emerson Process Management Regulator Technologies, Inc.

USA - Headquarters
McKinney, Texas 75070 USA
Tel: +1 800 558 5853
Outside U.S. +1 972 548 3574

Asia-Pacific
Shanghai 201206, China
Tel: +86 21 2892 9000

Europe
Bologna 40013, Italy
Tel: +39 051 419 0611

Middle East and Africa
Dubai, United Arab Emirates
Tel: +971 4811 8100

Natural Gas Technologies

Emerson Process Management Regulator Technologies, Inc.

USA - Headquarters
McKinney, Texas 75070 USA
Tel: +1 800 558 5853
Outside U.S. +1 972 548 3574

Asia-Pacific
Singapore 128461, Singapore
Tel: +65 6770 8337

Europe
Bologna 40013, Italy
Tel: +39 051 419 0611
Chartres 28008, France
Tel: +33 2 37 33 47 00

Middle East and Africa
Dubai, United Arab Emirates
Tel: +971 4811 8100

TESCOM

Emerson Process Management Tescom Corporation

USA - Headquarters
Elk River, Minnesota 55330-2445, USA
Tels: +1 763 241 3238
+1 800 447 1250

Europe
Selmsdorf 23923, Germany
Tel: +49 38823 31 287

Asia-Pacific
Shanghai 201206, China
Tel: +86 21 2892 9499

For further information visit www.fisherregulators.com

The Emerson logo is a trademark and service mark of Emerson Electric Co. All other marks are the property of their prospective owners. Fisher is a mark owned by Fisher Controls International LLC, a business of Emerson Process Management.

The contents of this publication are presented for informational purposes only, and while every effort has been made to ensure their accuracy, they are not to be construed as warranties or guarantees, express or implied, regarding the products or services described herein or their use or applicability. We reserve the right to modify or improve the designs or specifications of such products at any time without notice.

Emerson Process Management Regulator Technologies, Inc. does not assume responsibility for the selection, use or maintenance of any product. Responsibility for proper selection, use and maintenance of any Emerson Process Management Regulator Technologies, Inc. product remains solely with the purchaser.