

Product Data Sheet

PS-00371, Rev. I

August 2015

Micro Motion® T-Series Coriolis Flow and Density Meters

Micro Motion® T-Series meters offer the best performance of any straight-tube Coriolis meter. The single straight-tube design is self-draining, and allows the meter to be cleaned or sterilized in place (CIP/SIP). The straight flow path also resists plugging, and can be pigged.



Superior flow measurement in a single straight tube flow meter

- Built-in balance bar provides the best single straight tube mass flow measurement to reduce variability in process control

Comprehensive hygienic application coverage

- Easy to CIP and SIP with EHEDG certified, 3-A authorized, ASME BPE design
- Diameter matches standard process tubing for draining in any orientation
- Fast product change-over with self-draining design and no profile effects
- Single flow path is easy to clean mechanically
- Highly-polished surface finish for ultra-pure fluids

Superior reliability

- No moving parts to wear or replace minimizes maintenance for long-term reliability

ELITE® Peak performance Coriolis meter

ELITE HC Peak performance high capacity meter

F-Series High performance compact drainable Coriolis meter

H-Series Hygienic compact drainable Coriolis meter

T-Series Straight tube full-bore Coriolis meter

R-Series General purpose flow-only Coriolis meter

LF-Series Extreme low-flow Coriolis meter



Micro Motion T-Series straight-tube flow and density meters

Micro Motion Coriolis meters meet a vast range of application needs, ranging from extreme low-flow up to high-flow, high-capacity lines. Cryogenic, hygienic, high-temperature, and high-pressure— Micro Motion meters can handle them all. Micro Motion meters are available with a variety of wetted parts to ensure the best material compatibility.

Coriolis meters. Coriolis meters offer dramatic benefits over traditional volumetric measurement technologies. Coriolis meters:

- Deliver accurate and repeatable process data over a wide range of flow rates and process conditions.
- Provide direct inline measurement of mass flow and density, and also measure volume flow and temperature—all from a single device.
- Have no moving parts, so maintenance costs are minimal.
- Have no requirements for flow conditioning or straight pipe runs, so installation is simplified and less expensive.
- Provide advanced diagnostic tools for both the meter and the process.

T-Series Coriolis meters. Our straight-tube meter design is based on the ASME Bioprocessing Equipment Standard. With optional sanitary fittings, Micro Motion T-Series meters meet 3-A Sanitary Standards for Milk and Milk Products, are EHEDG clean-in-place approved, and feature a standard surface finish of 32 μ -inch Ra (0.8 μ -meter)—and 15 μ -inch Ra (0.38 μ -meter) is an available option.



The Micro Motion T-Series single straight-tube design makes these meters self-draining, and allows them to be cleaned or sterilized in place (CIP/SIP). The straight flow path also resists plugging, and can be pigged.

Contents

Flow performance	3	Meter approvals and certifications.	12
Density performance (liquid only)	4	Materials of construction	12
Temperature specifications	5	Weight	13
Pressure ratings	6	Dimensions	14
Environmental effects	11	Fitting options	17
Vibration limits	11	Ordering information	25
Sanitary standards	11		

Flow performance

		Mass		Volume ⁽¹⁾	
		lb/min	kg/h	gal/min	l/h
Maximum flow rate	T025	25	680	3	680
	T050	140	3800	17	3800
	T075	500	14,000	62	14,000
	T100	1100	30,000	132	30,000
	T150	3200	87,000	383	87,000
Mass flow accuracy⁽²⁾	±0.15% of rate ⁽³⁾				
Volume flow accuracy⁽²⁾	±0.25% of rate ⁽⁴⁾				
Gas flow accuracy⁽²⁾	±0.50% of rate ⁽⁵⁾				
Repeatability	±0.05% of rate				
		lb/min	kg/h	gal/min	l/h
Zero stability	T025	0.0038	0.10	0.0005	0.10
	T050	0.021	0.57	0.0025	0.57
	T075	0.075	2.0	0.009	2.0
	T100	0.165	4.50	0.02	4.50
	T150	0.48	13.0	0.06	13.0

(1) Specifications for volumetric flow rate are based on a process-fluid density of 1 g/cc (1000 kg/m³). For fluids with density other than 1 g/cc (1000 kg/m³), the volumetric flow rate equals the maximum mass flow rate divided by the fluid's density.

(2) Flow accuracy includes the combined effects of repeatability, linearity, and hysteresis. All specifications for liquids are based on reference conditions of water at 68 to 77 °F (20 to 25 °C) and 15 to 30 psig (1 to 2 bar), unless otherwise noted.

(3) When flow rate < (zero stability / 0.0015), then mass flow accuracy = ±[(zero stability / flow rate) × 100]% of rate and repeatability = ±[½(zero stability / flow rate) × 100]% of rate.

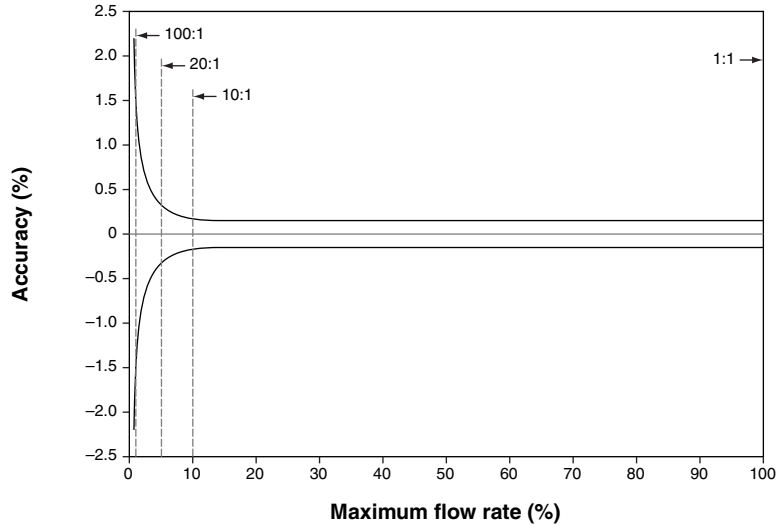
(4) When flow rate < (zero stability / 0.0025), then volume flow accuracy = ±[1.667 × (zero stability / flow rate) × 100]% of rate, and repeatability = ±[½(zero stability / flow rate) × 100]% of rate.

(5) When flow rate < (zero stability / 0.005), then gas flow accuracy = ±[(zero stability / flow rate) × 100]% of rate, and repeatability = ±[½(zero stability / flow rate) × 100]% of rate.

Flow performance *continued*

Typical accuracy, turndown, and pressure drop

Pressure drop is dependent on process conditions. To determine accuracy, turndown, and pressure drop with your process variables, use Micro Motion's product selector, available at www.micromotion.com.



Turndown from maximum flow rate	100:1	20:1	10:1	1:1
Accuracy (\pm %)	1.60	0.31	0.15	0.15
Pressure drop	~0	0.06	0.22	14.3
psi				
bar	~0	0.02	0.05	0.99

Density performance (liquid only)

Accuracy ⁽¹⁾	± 0.002 g/cc	± 2.0 kg/m ³
Repeatability	± 0.0005 g/cc	± 0.5 kg/m ³
Range		0–5000 kg/m ³

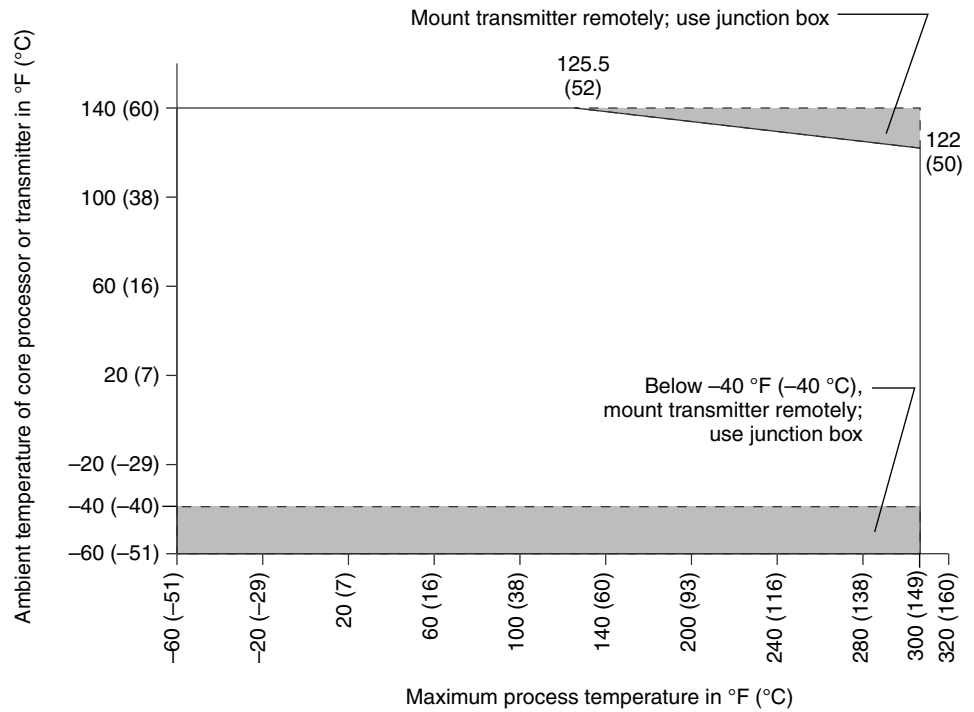
(1) Density accuracy includes the combined effects of repeatability, linearity, and hysteresis. All specifications for liquids are based on reference conditions of water at 68 to 77 °F (20 to 25 °C) and 15 to 30 psig (1 to 2 bar), unless otherwise noted.

Temperature specifications

Accuracy $\pm 1.0\text{ }^{\circ}\text{C} \pm 0.5\%$ of reading in $^{\circ}\text{C}$

Repeatability $\pm 0.2\text{ }^{\circ}\text{C}$

Temperature limits⁽¹⁾⁽²⁾⁽³⁾



(1) Temperature limits may be further restricted by hazardous area approvals. See page 12.

(2) When ambient temperature is below $-40\text{ }^{\circ}\text{F}$ ($-40\text{ }^{\circ}\text{C}$), a core processor must be heated to bring its local ambient temperature to between $-40\text{ }^{\circ}\text{F}$ ($-40\text{ }^{\circ}\text{C}$) and $+140\text{ }^{\circ}\text{F}$ ($+60\text{ }^{\circ}\text{C}$). Long-term storage of electronics at ambient temperatures below $-40\text{ }^{\circ}\text{F}$ ($-40\text{ }^{\circ}\text{C}$) is not recommended.

(3) For the purposes of selecting electronics options, this graph should be used only as a general guide. If your process conditions are close to the gray areas, it may be inappropriate to use electronics options other than a junction box. Consult with your Micro Motion representative.

Pressure ratings

All pressure ratings are based on ASME B31.3.

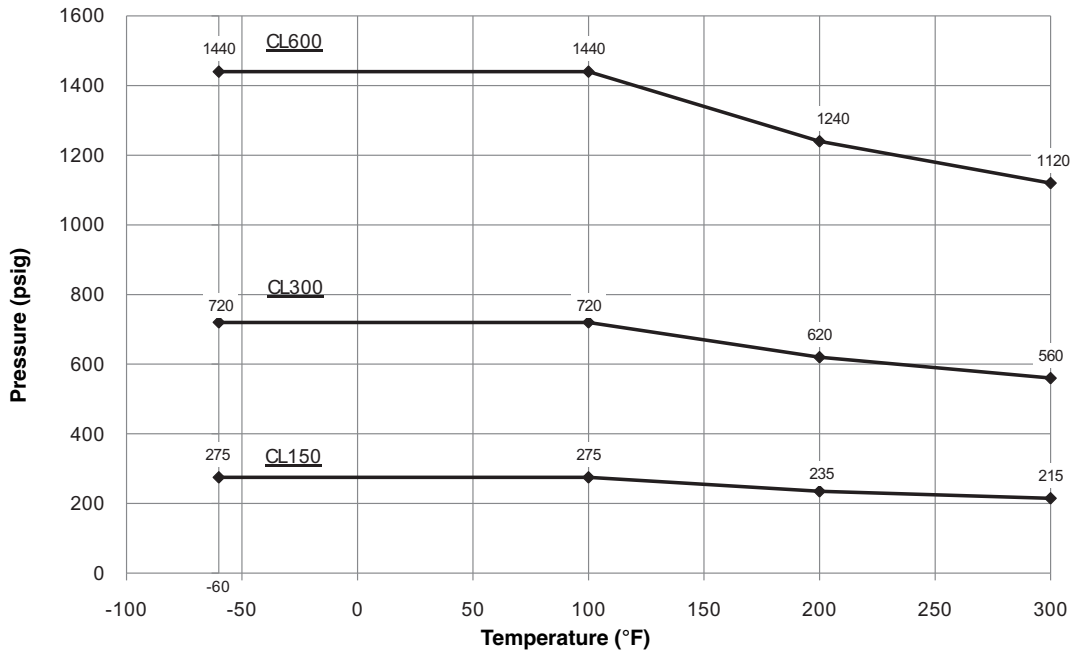
PED compliance Sensors comply with council directive 97/23/EC of 29 May 1997 on Pressure Equipment.

		psig	bar
ASME B31.3 secondary containment rating⁽¹⁾	Models without purge fittings	1450	100
	Models with purge fittings	725	50

(1) Housing is not rated for pressure containment below -20 °F (-29 °C).

Sensor pressure/temperature rating with ASME B16.5 F316/316L socket weld flanges

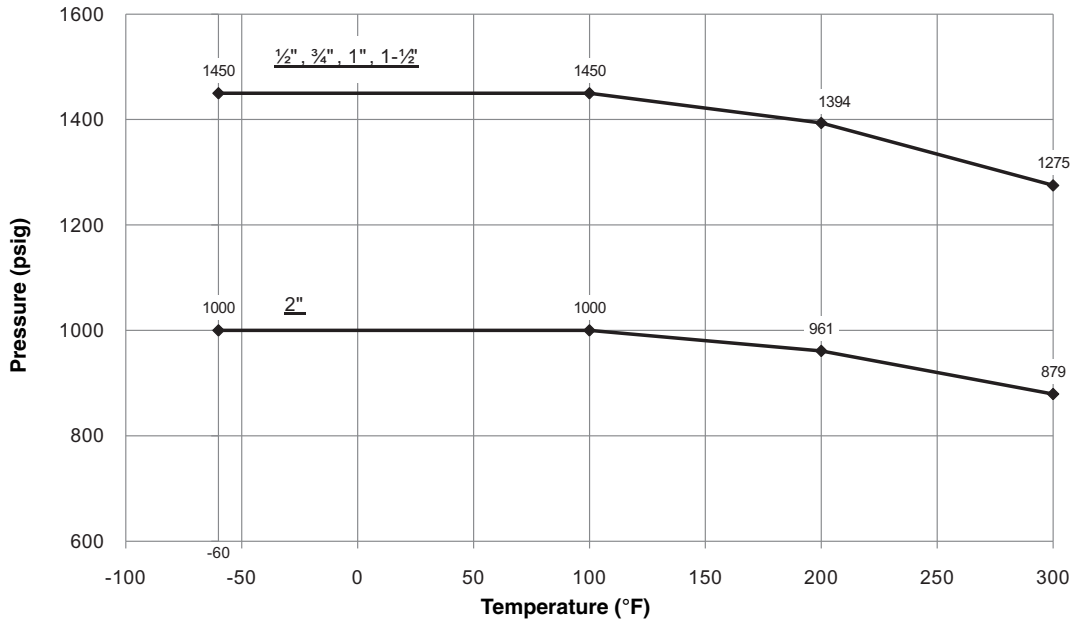
Models T025T through T150T; Models T075F through T150F



Pressure ratings *continued*

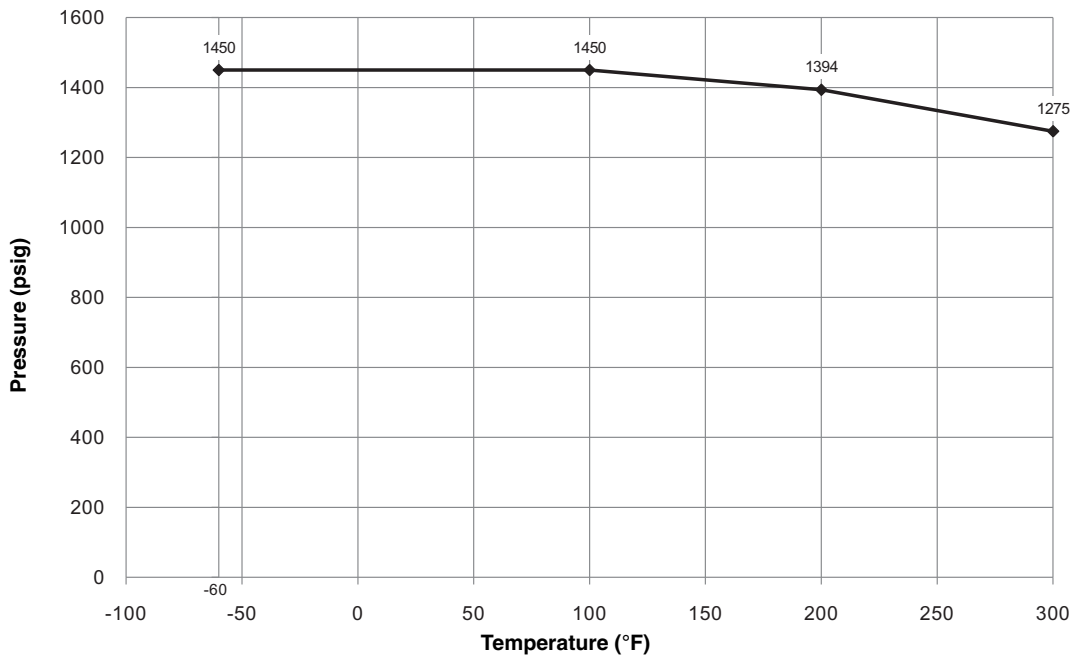
Sensor pressure/temperature rating with Tri-Clamp compatible Ti Grade 1/304L clad hygienic fittings

Models T025T through T150T; Models T025F through T150F



Sensor pressure/temperature rating with VCO Ti Grade 1/304L clad fittings

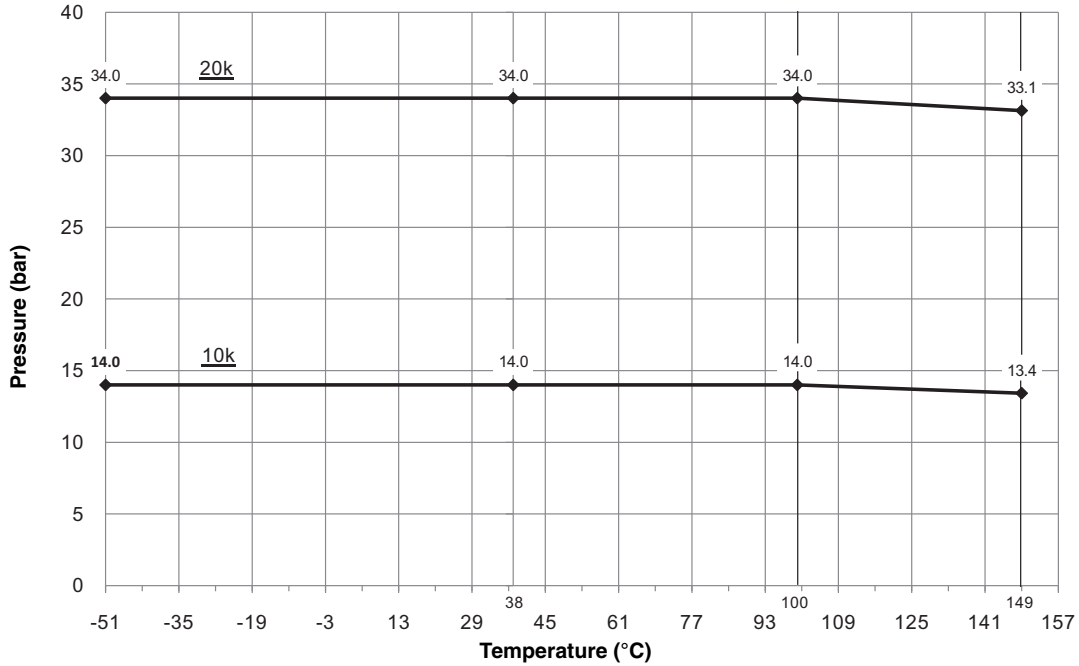
Models T025T and T050T



Pressure ratings *continued*

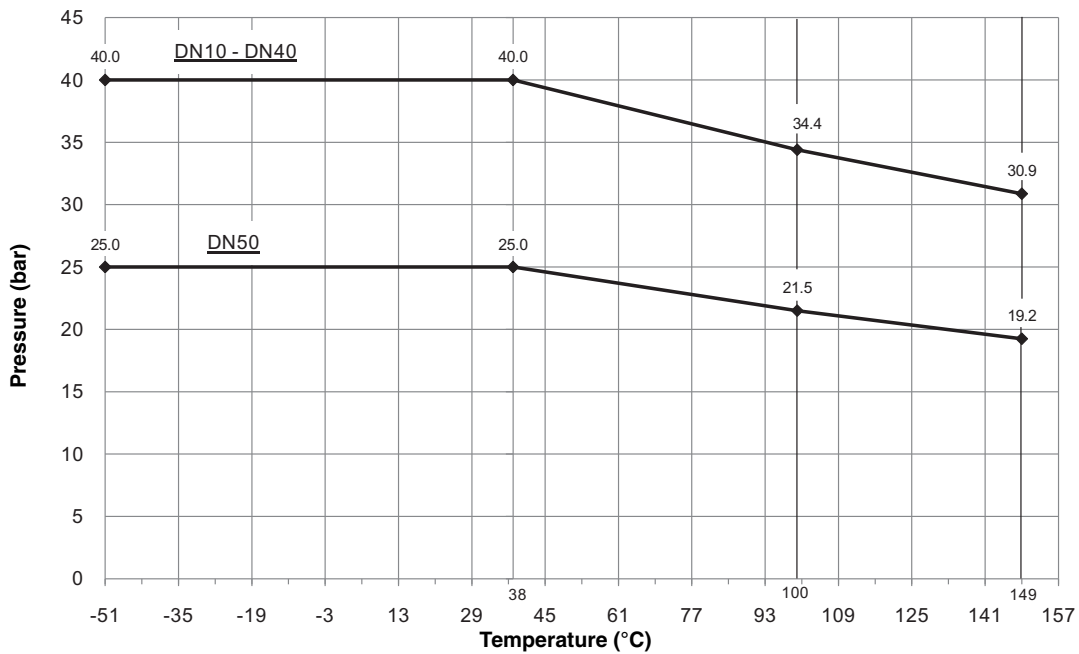
Sensor pressure/temperature rating with JIS 2220 F316/316L socket weld flanges

Models T025T through T150T; Models T075F through T150F



Sensor pressure/temperature rating with DIN 11851 Ti Grade 1/304L clad hygienic coupling

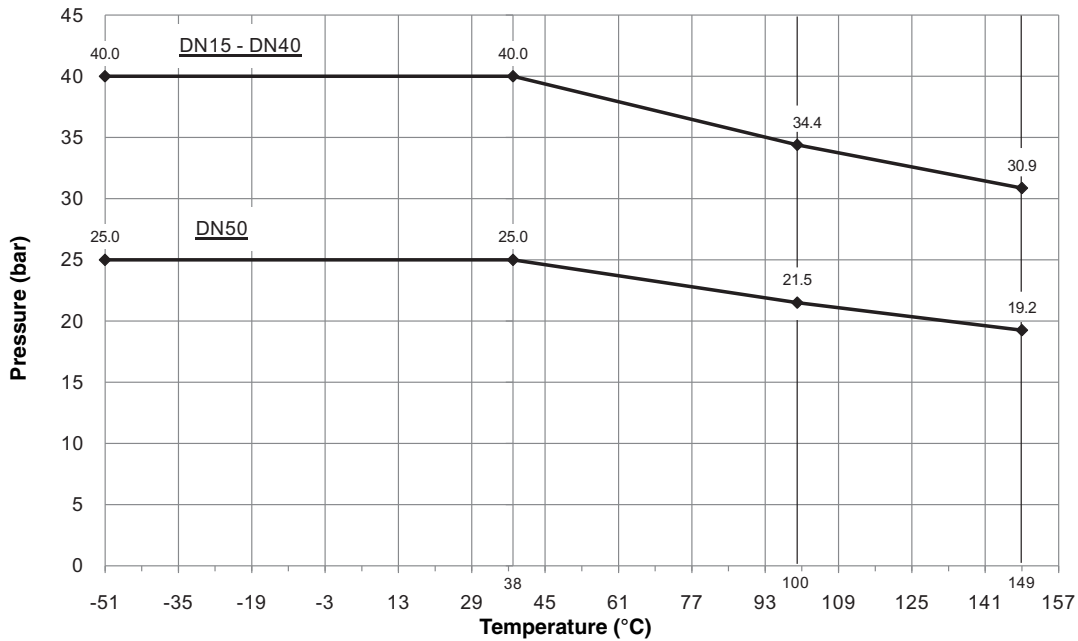
Models T025T through T150T; Models T025F through T150F



Pressure ratings *continued*

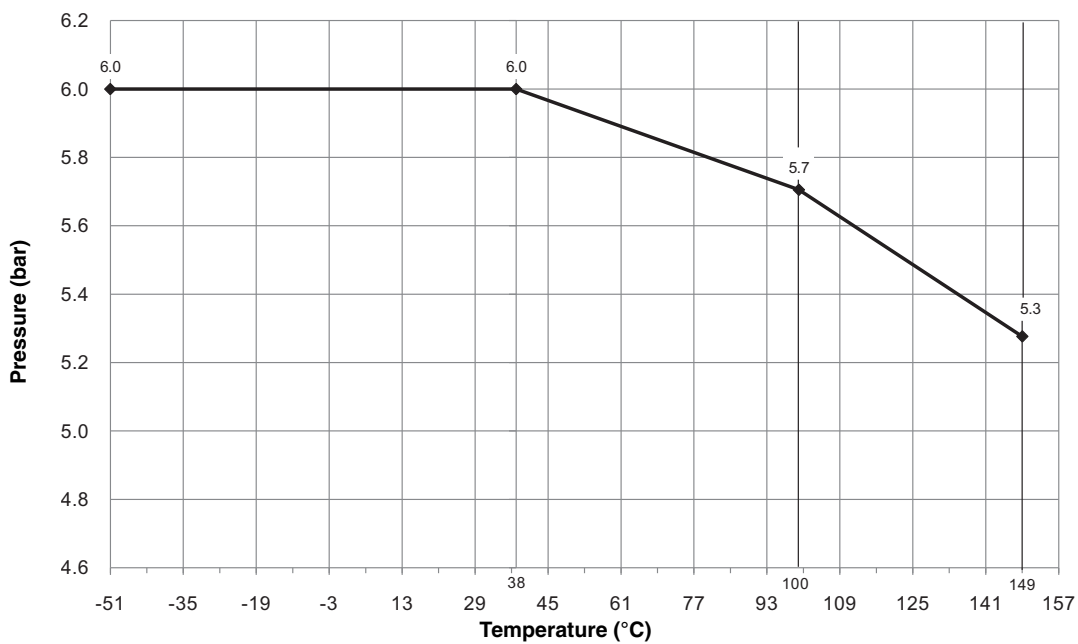
Sensor pressure/temperature rating with DIN 11864-1 Ti Grade 1/304L clad hygienic coupling

Models T025T through T150T; Models T025F through T150F



Sensor pressure/temperature rating with SMS 1145 316L hygienic coupling

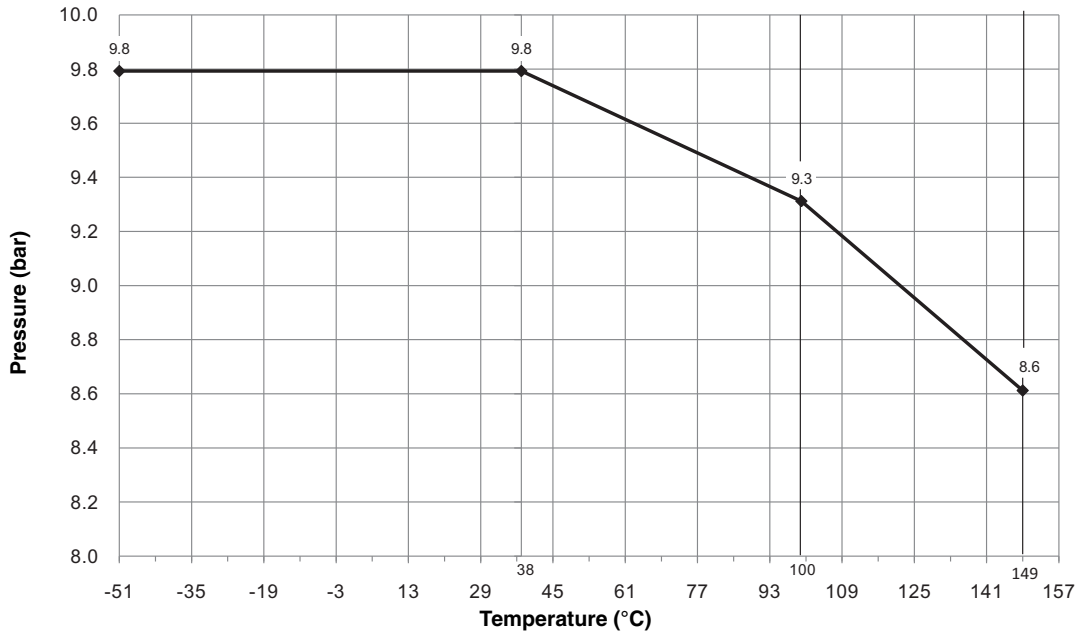
Models T075T, T150T, T075F, and T150F



Pressure ratings *continued*

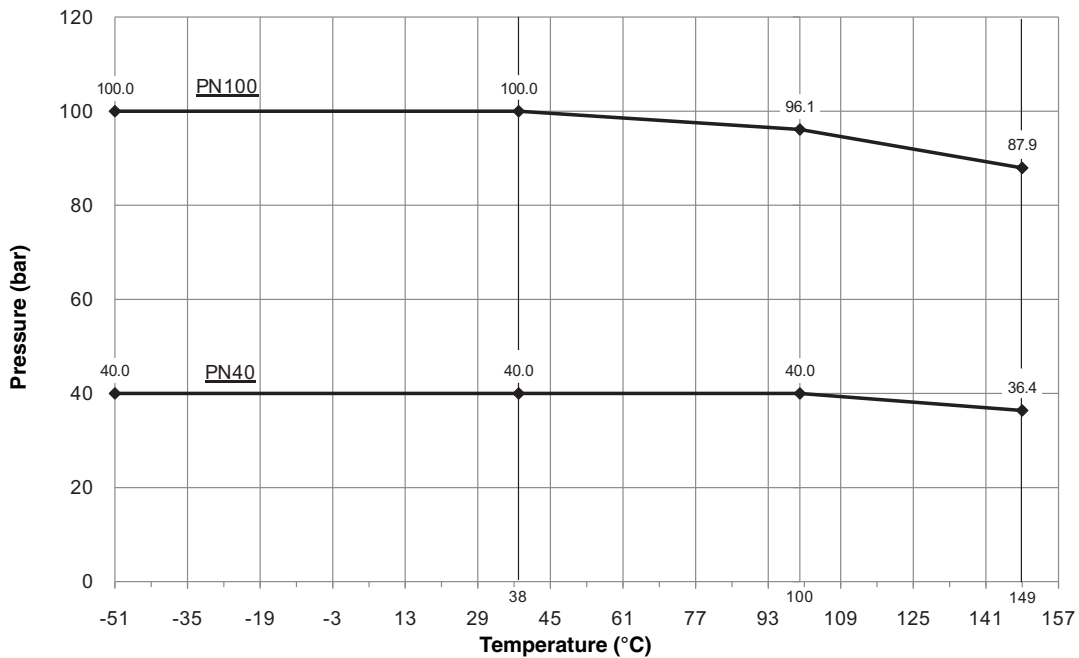
Sensor pressure/temperature rating with ISO 2853 (IDF) 316L process fittings

Models T075T, T150T, T075F, and T150F



Sensor pressure/temperature rating with EN1092-1 & DIN F316/316L socket weld flanges

Models T025T through T150T; Models T075F through T150F



Environmental effects

Process temperature effect	Process temperature effect is defined as the worst-case zero offset due to process fluid temperature change away from the zeroing temperature. All models 0.002% of maximum flow rate per °C
Pressure effect	Pressure effect is defined as the change in sensor flow sensitivity due to process pressure change away from the calibration pressure. Pressure effect can be corrected. All models None

Vibration limits

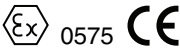

Meets IEC 68.2.6, endurance sweep, 5 to 2000 Hz, 50 sweep cycles at 1.0 g

Sanitary standards

For sanitary applications, Micro Motion T-Series sensors with sanitary fittings feature a standard 32 μ -inch Ra (0.8 μ -meter) tube surface finish, with 15 μ -inch Ra (0.38 μ -meter) surface finish available as an option.

ASME	The Micro Motion T-Series sensor design is based on the ASME Bioprocessing Equipment Standard – 1997. With sanitary fittings, these sensors meet the ASME Bioprocessing Equipment Standard.
3-A	Micro Motion T-Series sensors with sanitary fittings meet 3-A Sanitary Standards for Milk and Dairy Products.
USDA	Micro Motion T-Series sensors with sanitary fittings are acceptable for use in dairy plants and are approved for USDA grading service.
EHEDG	Micro Motion T-Series sensors with sanitary fittings are approved by the European Hygienic Equipment Design Group. Sensors comply with the hygienic criteria of Machinery Directive 98/37/EC, annex 1 (additional essential health and safety requirements for certain categories of machinery), section 2.1 (agri-foodstuffs machinery). Test results show that Micro Motion T-Series sensors can be cleaned in place at least as well as the reference pipe.

Meter approvals and certifications

Type	Approval or certification (typical)
CSA and CSA C-US	Ambient temperature: -40 to +140°F (-40 to +60°C) Class I, Div. 1, Groups C and D. Class I, Div. 2, Groups A, B, C, and D.
ATEX	  II 2G Ex ib IIB/IIC T1-T4/T5/T6 Gb II 2D Ex ib IIIC T(1)°C Db IP66 II 3G Ex nA IIC T1-T4/T5 Gc II 3D Ex tc IIIC T(1) °C Dc IP66
IECEX	Ex ib IIB/IIC T1-T4/T5/T6 Gb Ex nA IIC T1-T4/T5 Gc
Ingress protection rating	IP66 for sensors; IP 66/67 for transmitters
EMC effects	Complies with EMC directive 2004/108/EC per EN 61326 Industrial Complies with NAMUR NE-21 (09.05.2012)

- Approvals shown are for T-Series meters configured with a model 2400S transmitter. Meters with integral electronics may have more restrictive approvals. Refer to the product data sheet for each transmitter for details.
- When a meter is ordered with hazardous area approvals, detailed information is shipped along with the product.
- You can find more information about hazardous approvals, including detailed specifications and temperature graphs for all meter configurations on the T-Series product page at the Micro Motion web site (www.micromotion.com).

Materials of construction

Wetted parts⁽¹⁾	Flow tubes	Titanium ASTM Grade 9
	Sanitary fittings ⁽²⁾	304L stainless steel and titanium ASTM Grade 1
	Socket-weld flanges ⁽²⁾	F316/316L stainless steel and titanium ASTM Grade 5 (6AL-4V)
Sensor housing	Sensor	304L stainless steel
	Core processor	316L stainless steel or polyurethane-coated aluminum; NEMA 4X (IP66)
	Junction box	Polyurethane-coated aluminum; NEMA 4X (IP66)

(1) *General corrosion guides do not account for cyclical stress, and therefore should not be relied upon when choosing a wetted material for your Micro Motion sensor. Please refer to Micro Motion's corrosion guide for material compatibility information.*

(2) *Flanges are stainless steel; wetted parts are titanium. Only titanium is in contact with process flow.*

Weight

Approximate weight with ANSI CL150 socket weld raised face flange

	T025		T050		T075		T100		T150	
	<i>lb</i>	<i>kg</i>	<i>lb</i>	<i>kg</i>	<i>lb</i>	<i>kg</i>	<i>lb</i>	<i>kg</i>	<i>lb</i>	<i>kg</i>
Sensor with core processor ⁽¹⁾	14	7	16	7	33	15	58	27	137	63
Sensor with extended core processor ⁽¹⁾	15	7	17	8	34	16	59	27	138	63
Sensor with integrally mounted Model 1700/2700 transmitter	20	9	22	10	39	18	64	29	143	65
Sensor with junction box	–	–	–	–	32	15	57	26	136	62
Sensor with extended junction box	–	–	–	–	33	15	58	27	137	63

Approximate weight with 1/2-inch or 1-inch sanitary fitting (Tri-Clamp compatible)

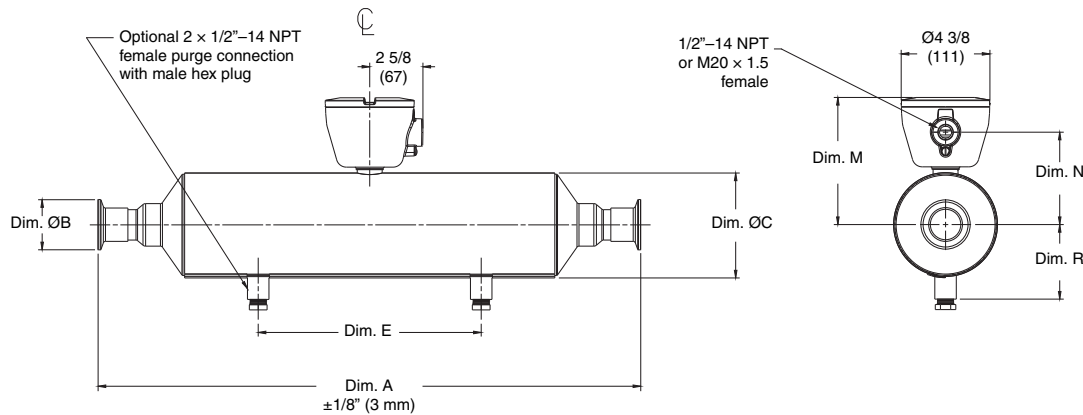
	T025		T050		T075		T100		T150	
	<i>lb</i>	<i>kg</i>	<i>lb</i>	<i>kg</i>	<i>lb</i>	<i>kg</i>	<i>lb</i>	<i>kg</i>	<i>lb</i>	<i>kg</i>
Sensor with core processor ⁽¹⁾	12	6	14	7	33	15	55	25	131	60
Sensor with extended core processor ⁽¹⁾	13	6	15	7	34	16	56	25	132	60
Sensor with integrally mounted Model 1700/2700 transmitter	18	8	20	9	39	18	60	28	137	62
Sensor with junction box	–	–	–	–	32	15	54	25	130	59
Sensor with extended junction box	–	–	–	–	33	15	55	25	131	60

(1) Add 4 lbs (2 kg) for stainless steel core processor housing option (electronics interface codes A, B, D, and E).

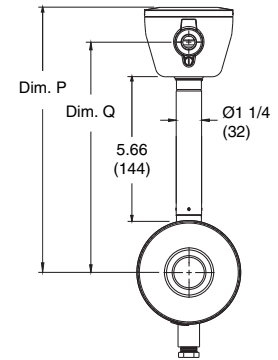
Dimensions

Sensor with core processor

Dimensions in inches
(mm)



Extended mount option



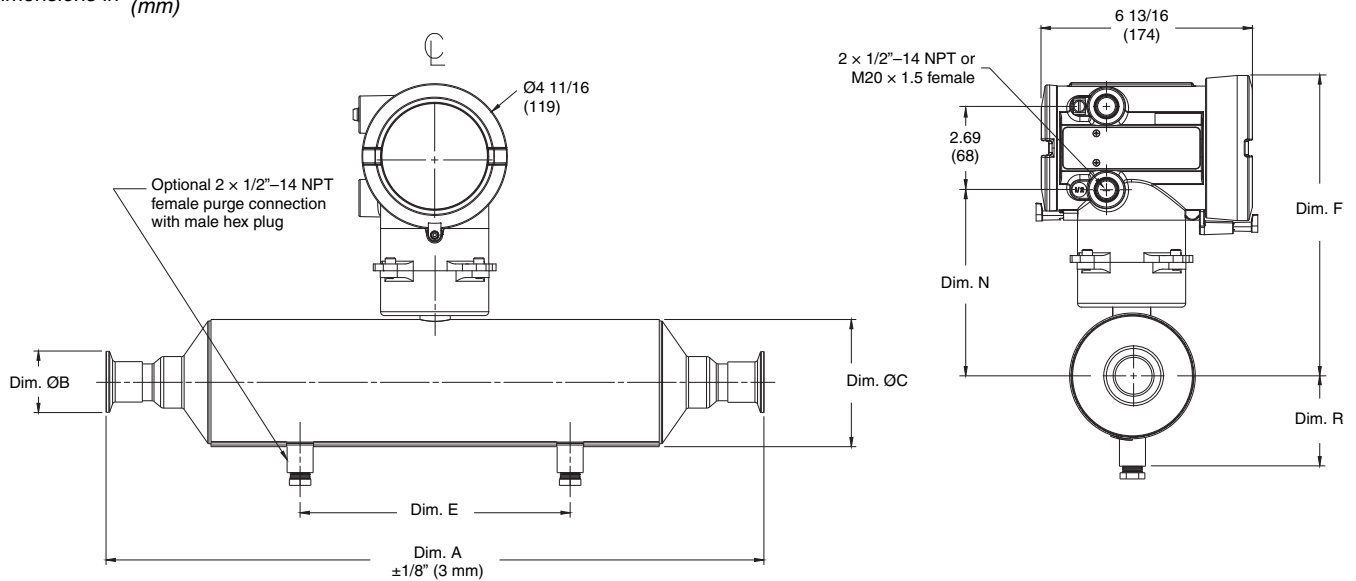
Sensor model	No. of flow tubes	Dimensions in inches (mm) ⁽¹⁾							
		Tube ID	ØC (case diameter)	E	M	N	P	Q	R
T025	1	0.180 (4.57)	3 1/8 (79)	4 1/8 (105)	5 1/4 (133)	3 1/2 (89)	10 5/8 (269)	8.88 (225)	2 11/16 (68)
T050	1	0.360 (9.14)	3 1/8 (79)	5 1/2 (140)	5 1/4 (133)	3 1/2 (89)	10 5/8 (269)	8.88 (225)	2 11/16 (68)
T075	1	0.619 (15.72)	4 1/8 (105)	6 1/8 (156)	5 3/4 (147)	4 1/16 (103)	11 1/8 (283)	9.44 (240)	3 3/16 (81)
T100	1	0.870 (22.10)	5 1/8 (130)	11 (279)	6 1/4 (159)	4 9/16 (116)	11 5/8 (296)	9.94 (252)	3 11/16 (93)
T150	1	1.360 (34.54)	7 1/8 (181)	11 (279)	7 1/4 (185)	5 9/16 (141)	12 5/8 (321)	10.94 (278)	4 11/16 (119)

(1) For dimensions A and B, see process fittings tables, pages 17–24.

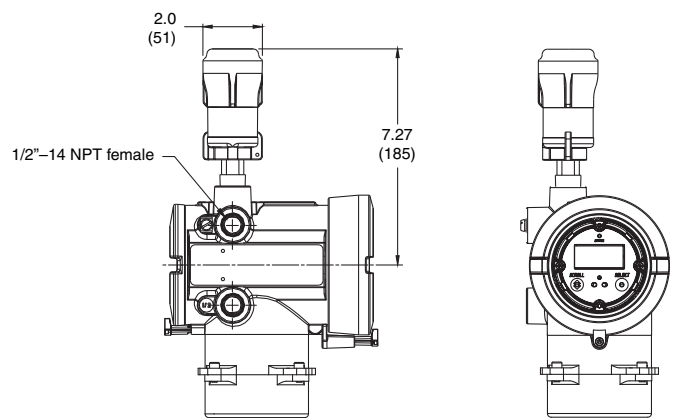
Dimensions *continued*

Sensor with integrally mounted Model 1700/2700 transmitter

Dimensions in inches
(mm)



THUM adapter detail



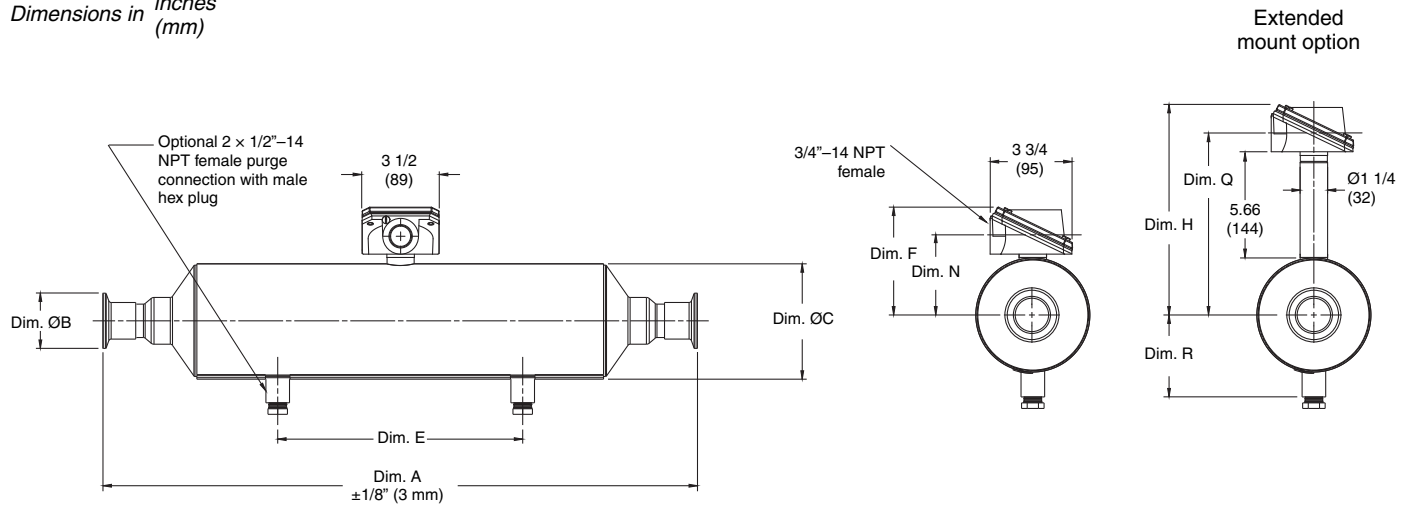
Sensor model	No. of flow tubes	Dimensions in inches (mm) ⁽¹⁾					
		Tube ID	ØC (case diameter)	E	F	N	R
T025	1	0.180 (4.57)	3 1/8 (79)	4 1/8 (105)	9 3/16 (233)	5.5 (139)	2 11/16 (68)
T050	1	0.360 (9.14)	3 1/8 (79)	5 1/2 (140)	9 3/16 (233)	5.5 (139)	2 11/16 (68)
T075	1	0.619 (15.72)	4 1/8 (105)	6 1/8 (156)	9 3/4 (247)	6.03 (153)	3 3/16 (81)
T100	1	0.870 (22.10)	5 1/8 (130)	11 (279)	10 1/4 (260)	6.54 (166)	3 11/16 (93)
T150	1	1.360 (34.54)	7 1/8 (181)	11 (279)	11 1/4 (285)	7.53 (191)	4 11/16 (119)

(1) For dimensions A and B, see process fittings tables, pages 17–24.

Dimensions *continued*

Sensor with junction box

Dimensions in inches
(mm)



Sensor model ⁽¹⁾	No. of flow tubes	Dimensions in inches (mm) ⁽²⁾								
		Tube ID	ØC (case diameter)	E	F	H	J	N	Q	R
T075	1	0.619 (15.72)	4 1/8 (105)	6 1/8 (156)	4 1/2 (114)	9 7/8 (251)	8 9/16 (217)	3.19 (81)	8.56 (217)	3 3/16 (81)
T100	1	0.870 (22.10)	5 1/8 (130)	11 (279)	5 (127)	10 3/8 (264)	9 1/16 (230)	3.69 (94)	9.06 (230)	3 11/16 (93)
T150	1	1.360 (34.54)	7 1/8 (181)	11 (279)	6 (152)	11 3/8 (289)	10 1/16 (256)	4.69 (119)	10.06 (256)	4 11/16 (119)

(1) Models T025 and T050 are not available with junction box.

(2) For dimensions A and B, see process fittings tables, pages 17–24.

Fitting options

Fittings listed here are standard options. Other types of fittings are available. The face to face dimensions for any custom fittings ordered using a 998 or 999 fitting code are not represented in this table. It is necessary to confirm face to face dimensions of these fittings at time of ordering. Contact your local Micro Motion representative.

Model T025T

Code	Description						Dim. A	Dim. B
525	DN15	PN40	EN 1092-1	F316/F316L	Weld neck flange	Form B1	13.65 (347)	3 3/4 (95)
526	DN15	PN100	EN 1092-1	F316/F316L	Weld neck flange	Form B2	13.97 (355)	4 1/8 (105)
613	1/2-inch	CL150	ASME B16.5	F316/F316L	Socket weld flange	Raised face	13.31 (338)	3 1/2 (89)
614	1/2-inch	CL300	ASME B16.5	F316/F316L	Socket weld flange	Raised face	13.83 (351)	3 3/4 (95)
615	1/2-inch	CL600	ASME B16.5	F316/F316L	Socket weld flange	Raised face	13.95 (351)	3 3/4 (95)
616	DN15	PN40	DIN 2526	F316/F316L	Socket weld flange	Type C face	13.65 (347)	3 3/4 (95)
617	DN15	PN100	DIN 2526	F316/F316L	Socket weld flange	Type E face	13.97 (355)	4 1/8 (105)
621	1/2-inch		Tri-Clamp compatible	Ti grade 1 clad to 304L backing	Hygienic fitting		13.92 (354)	1 (25)
636	#8		VCO	Ti grade 1 clad to 304L backing	Swagelok compatible fitting	1/2-inch NPT female adapter	18.67 (474)	—
637	#8		VCO	Ti grade 1 clad to 304L backing	Swagelok compatible fitting		15.13 (384)	—
650	DN15	PN40	DIN 2512	F316/F316L	Socket weld flange	Type N grooved face	13.65 (347)	3 3/4 (95)
654	DN15	PN40	EN 1092-1	F316/F316L	Weld neck flange	Form D	13.65 (347)	3 3/4 (95)
670	DN10		DIN11851	Ti grade 1 clad to 304L backing	Hygienic coupling		13.93 (354)	Rd 28 × 1/8
671	DN15		DIN11851	Ti grade 1 clad to 304L backing	Hygienic coupling		13.93 (354)	Rd 34 × 1/8
676	DN15		DIN11864-1A	Ti grade 1 clad to 304L backing	Hygienic coupling		13.89 (353)	Rd 34 × 1/8
781	15mm	20K	JIS B 2220	F316/F316L	Socket weld flange		13.64 (346)	3 3/4 (95)

Model T025F

Code	Description						Dim. A	Dim. B
621	1/2-inch		Tri-Clamp compatible	Ti grade 1 clad to 304L backing	Hygienic fitting		13.92 (354)	1 (25)
670	DN10		DIN11851	Ti grade 1 clad to 304L backing	Hygienic coupling		13.93 (354)	Rd 28 × 1/8
671	DN15		DIN11851	Ti grade 1 clad to 304L backing	Hygienic coupling		13.93 (354)	Rd 34 × 1/8
676	DN15		DIN11864-1A	Ti grade 1 clad to 304L backing	Hygienic coupling		13.89 (353)	Rd 34 × 1/8

Fitting options *continued*

Model T050T

Code	Description						Dim. A	Dim. B
525	DN15	PN40	EN 1092-1	F316/F316L	Weld neck flange	Form B1	16.09 (409)	3 3/4 (95)
526	DN15	PN100	EN 1092-1	F316/F316L	Weld neck flange	Form B2	16.41 (417)	4 1/8 (105)
613	1/2-inch	CL150	ASME B16.5	F316/F316L	Socket weld flange	Raised face	15.75 (400)	3 1/2 (89)
614	1/2-inch	CL300	ASME B16.5	F316/F316L	Socket weld flange	Raised face	16.27 (413)	3 3/4 (95)
615	1/2-inch	CL600	ASME B16.5	F316/F316L	Socket weld flange	Raised face	16.39 (417)	3 3/4 (95)
616	DN15	PN40	DIN 2526	F316/F316L	Socket weld flange	Type C face	16.09 (409)	3 3/4 (95)
617	DN15	PN100	DIN 2526	F316/F316L	Socket weld flange	Type E face	16.41 (417)	4 1/8 (105)
621	1/2-inch		Tri-Clamp compatible	Ti grade 1 clad to 304L backing	Hygienic fitting		16.37 (416)	1 (25)
638	#12		VCO	Ti grade 1 clad to 304L backing	Swagelok compatible fitting	3/4-inch NPT female adapter	21.60 (549)	—
639	#12		VCO	Ti grade 1 clad to 304L backing	Swagelok compatible fitting		17.74 (451)	—
650	DN15	PN40	DIN 2512	F316/F316L	Socket weld flange	Type N grooved face	16.09 (409)	3 3/4 (95)
654	DN15	PN40	EN 1092-1	F316/F316L	Weld neck flange	Form D	16.09 (409)	3 3/4 (95)
671	DN15		DIN11851	Ti grade 1 clad to 304L backing	Hygienic coupling		16.37 (416)	Rd 34 × 1/8
676	DN15		DIN11864-1A	Ti grade 1 clad to 304L backing	Hygienic coupling		16.37 (416)	Rd 34 × 1/8
781	15mm	20K	JIS B 2220	F316/F316L	Socket weld flange		16.08 (409)	3 3/4 (95)

Model T050F

Code	Description						Dim. A	Dim. B
621	1/2-inch		Tri-Clamp compatible	Ti grade 1 clad to 304L backing	Hygienic fitting		16.37 (416)	1 (25)
671	DN15		DIN11851	Ti grade 1 clad to 304L backing	Hygienic coupling		16.37 (416)	Rd 34 × 1/8
676	DN15		DIN11864-1A	Ti grade 1 clad to 304L backing	Hygienic coupling		16.37 (416)	Rd 34 × 1/8

Fitting options *continued*

Model T075T

Code	Description						Dim. A	Dim. B
525	DN15	PN40	EN 1092-1	F316/F316L	Weld neck flange	Form B1	21.15 (537)	3 3/4 (95)
526	DN15	PN100	EN 1092-1	F316/F316L	Weld neck flange	Form B2	21.47 (545)	4 1/8 (105)
527	DN25	PN40	EN 1092-1	F316/F316L	Weld neck flange	Form B1	21.75 (552)	4 1/2 (115)
528	DN25	PN100	EN 1092-1	F316/F316L	Weld neck flange	Form B2	22.23 (565)	5 1/2 (140)
613	1/2-inch	CL150	ASME B16.5	F316/F316L	Socket weld flange	Raised face	20.81 (529)	3 1/2 (89)
614	1/2-inch	CL300	ASME B16.5	F316/F316L	Socket weld flange	Raised face	21.33 (542)	3 3/4 (95)
615	1/2-inch	CL600	ASME B16.5	F316/F316L	Socket weld flange	Raised face	21.45 (545)	3 3/4 (95)
616	DN15	PN40	DIN 2526	F316/F316L	Socket weld flange	Type C face	21.15 (537)	3 3/4 (95)
617	DN15	PN100	DIN 2526	F316/F316L	Socket weld flange	Type E face	21.47 (545)	4 1/8 (105)
618	DN25	PN40	DIN 2526	F316/F316L	Socket weld flange	Type C face	21.75 (552)	4 1/2 (115)
619	DN25	PN100	DIN 2526	F316/F316L	Socket weld flange	Type E face	22.23 (565)	5 1/2 (140)
622	3/4-inch		Tri-Clamp compatible	Ti grade 1 clad to 304L backing	Hygienic fitting		21.57 (548)	1 (25)
623	1-inch		Tri-Clamp compatible	Ti grade 1 clad to 304L backing	Hygienic fitting		21.43 (544)	2 (50)
628	1-inch	CL150	ASME B16.5	F316/F316L	Socket weld flange	Raised face	21.07 (535)	4 1/4 (108)
629	1-inch	CL300	ASME B16.5	F316/F316L	Socket weld flange	Raised face	21.81 (554)	4 7/8 (124)
630	1-inch	CL600	ASME B16.5	F316/F316L	Socket weld flange	Raised face	21.81 (554)	4 7/8 (124)
650	DN15	PN40	DIN 2512	F316/F316L	Socket weld flange	Type N grooved face	21.15 (537)	3 3/4 (95)
651	DN25	PN40	DIN 2512	F316/F316L	Socket weld flange	Type N grooved face	21.75 (552)	4 1/2 (115)
654	DN15	PN40	EN 1092-1	F316/F316L	Weld neck flange	Form D	21.15 (537)	3 3/4 (95)
655	DN25	PN40	EN 1092-1	F316/F316L	Weld neck flange	Form D	21.75 (552)	4 1/2 (115)
662	DN25		ISO 2853 (IDF)	Ti grade 1 clad to 304L backing	Hygienic coupling		21.47 (545)	DN25
672	DN25		DIN11851	Ti grade 1 clad to 304L backing	Hygienic coupling		21.47 (545)	Rd 52 × 1/6
677	DN25		DIN11864-1A	Ti grade 1 clad to 304L backing	Hygienic coupling		21.47 (545)	Rd 52 × 1/6
692	DN25		SMS 1145	Ti grade 1 clad to 304L backing	Hygienic coupling		21.47 (545)	Rd 40 × 1/6
781	15mm	20K	JIS B 2220	F316/F316L	Socket weld flange		21.14 (537)	3 3/4 (95)
782	25mm	20K	JIS B 2220	F316/F316L	Socket weld flange		21.57 (548)	4 15/16 (125)

Fitting options *continued*

Model T075F

Code	Description						Dim. A	Dim. B
613	1/2-inch	CL150	ASME B16.5	F316/F316L	Socket weld flange	Raised face	20.81 (529)	3 1/2 (89)
614	1/2-inch	CL300	ASME B16.5	F316/F316L	Socket weld flange	Raised face	21.33 (542)	3 3/4 (95)
615	1/2-inch	CL600	ASME B16.5	F316/F316L	Socket weld flange	Raised face	21.45 (545)	3 3/4 (95)
616	DN15	PN40	DIN 2526	F316/F316L	Socket weld flange	Type C face	21.15 (537)	3 3/4 (95)
617	DN15	PN100	DIN 2526	F316/F316L	Socket weld flange	Type E face	21.47 (545)	4 1/8 (105)
618	DN25	PN40	DIN 2526	F316/F316L	Socket weld flange	Type C face	21.75 (552)	4 1/2 (115)
619	DN25	PN100	DIN 2526	F316/F316L	Socket weld flange	Type E face	22.23 (565)	5 1/2 (140)
622	3/4-inch		Tri-Clamp compatible	Ti grade 1 clad to 304L backing	Hygienic fitting		21.57 (548)	1 (25)
623	1-inch		Tri-Clamp compatible	Ti grade 1 clad to 304L backing	Hygienic fitting		21.43 (544)	2 (50)
628	1-inch	CL150	ASME B16.5	F316/F316L	Socket weld flange	Raised face	21.07 (535)	4 1/4 (108)
629	1-inch	CL300	ASME B16.5	F316/F316L	Socket weld flange	Raised face	21.81 (554)	4 7/8 (124)
630	1-inch	CL600	ASME B16.5	F316/F316L	Socket weld flange	Raised face	21.81 (554)	4 7/8 (124)
650	DN15	PN40	DIN 2512	F316/F316L	Socket weld flange	Type N grooved face	21.15 (537)	3 3/4 (95)
651	DN25	PN40	DIN 2512	F316/F316L	Socket weld flange	Type N grooved face	21.75 (552)	4 1/2 (115)
662	DN25		ISO 2853 (IDF)	Ti grade 1 clad to 304L backing	Hygienic coupling		21.47 (545)	DN25
672	DN25		DIN11851	Ti grade 1 clad to 304L backing	Hygienic coupling		21.47 (545)	Rd 52 × 1/6
677	DN25		DIN11864-1A	Ti grade 1 clad to 304L backing	Hygienic coupling		21.47 (545)	Rd 52 × 1/6
692	DN25		SMS 1145	Ti grade 1 clad to 304L backing	Hygienic coupling		21.47 (545)	Rd 40 × 1/6
781	15mm	20K	JIS B 2220	F316/F316L	Socket weld flange		21.14 (537)	3 3/4 (95)
782	25mm	20K	JIS B 2220	F316/F316L	Socket weld flange		21.57 (548)	4 15/16 (125)

Fitting options *continued*

Model T100T

Code	Description						Dim. A	Dim. B
527	DN25	PN40	EN 1092-1	F316/F316L	Weld neck flange	Form B1	26.19 (665)	4 1/2 (115)
528	DN25	PN100	EN 1092-1	F316/F316L	Weld neck flange	Form B2	26.67 (677)	5 1/2 (140)
618	DN25	PN40	DIN 2526	F316/F316L	Socket weld flange	Type C face	26.19 (665)	4 1/2 (115)
619	DN25	PN100	DIN 2526	F316/F316L	Socket weld flange	Type E face	26.55 (674)	5 1/2 (140)
623	1-inch		Tri-Clamp compatible	Ti grade 1 clad to 304L backing	Hygienic fitting		26.23 (666)	2 (50)
624	1-1/2-inch		Tri-Clamp compatible	Ti grade 1 clad to 304L backing	Hygienic fitting		26.23 (666)	2 (50)
628	1-inch	CL150	ASME B16.5	F316/F316L	Socket weld flange	Raised face	25.51 (648)	4 1/4 (108)
629	1-inch	CL300	ASME B16.5	F316/F316L	Socket weld flange	Raised face	26.25 (667)	4 7/8 (124)
630	1-inch	CL600	ASME B16.5	F316/F316L	Socket weld flange	Raised face	26.37 (670)	4 7/8 (124)
641	1-1/2-inch	CL150	ASME B16.5	F316/F316L	Socket weld flange	Raised face	25.77 (655)	5 (127)
642	1-1/2-inch	CL300	ASME B16.5	F316/F316L	Socket weld flange	Raised face	26.39 (670)	6 1/8 (155)
643	1-1/2-inch	CL600	ASME B16.5	F316/F316L	Socket weld flange	Raised face	26.51 (673)	6 1/8 (155)
651	DN25	PN40	DIN 2512	F316/F316L	Socket weld flange	Type N grooved face	26.19 (665)	4 1/2 (115)
652	DN40	PN40	DIN 2512	F316/F316L	Socket weld flange	Type N grooved face	26.29 (668)	5 15/16 (150)
655	DN25	PN40	EN 1092-1	F316/F316L	Weld neck flange	Form D	26.19 (665)	4 1/2 (115)
656	DN40	PN40	EN 1092-1	F316/F316L	Weld neck flange	Form D	26.29 (668)	5 15/16 (150)
658	DN40	PN40	EN 1092-1	F316/F316L	Weld neck flange	Form B1	26.29 (668)	5 15/16 (150)
659	DN40	PN100	EN 1092-1	F316/F316L	Weld neck flange	Form B2	27.11 (689)	6 11/16 (170)
672	DN25		DIN11851	Ti grade 1 clad to 304L backing	Hygienic coupling		26.23 (666)	Rd 52 × 1/6
677	DN25		DIN11864-1A	Ti grade 1 clad to 304L backing	Hygienic coupling		26.23 (666)	Rd 52 × 1/6
681	DN40	PN40	DIN 2526	F316/F316L	Socket weld flange	Type C face	26.29 (668)	5 15/16 (150)
682	DN40	PN100	DIN 2526	F316/F316L	Socket weld flange	Type E face	26.69 (678)	6 11/16 (170)
782	25mm	20K	JIS B 2220	F316/F316L	Socket weld flange		26.13 (664)	4 15/16 (125)
783	40mm	20K	JIS B 2220	F316/F316L	Socket weld flange		26.19 (665)	5 1/2 (140)

Fitting options *continued*

Model T100F

Code	Description						Dim. A	Dim. B
618	DN25	PN40	DIN 2526	F316/F316L	Socket weld flange	Type C face	26 3/16 (665)	4 1/2 (115)
619	DN25	PN100	DIN 2526	F316/F316L	Socket weld flange	Type E face	26 9/16 (674)	5 1/2 (140)
623	1-inch		Tri-Clamp compatible	Ti grade 1 clad to 304L backing	Hygienic fitting		26 1/4 (668)	2 (50)
624	1-1/2-inch		Tri-Clamp compatible	Ti grade 1 clad to 304L backing	Hygienic fitting		26 1/4 (666)	2 (50)
628	1-inch	CL150	ASME B16.5	F316/F316L	Socket weld flange	Raised face	25 1/2 (648)	4 1/4 (108)
629	1-inch	CL300	ASME B16.5	F316/F316L	Socket weld flange	Raised face	26 1/4 (667)	4 7/8 (124)
630	1-inch	CL600	ASME B16.5	F316/F316L	Socket weld flange	Raised face	26 3/8 (670)	4 7/8 (124)
641	1-1/2-inch	CL150	ASME B16.5	F316/F316L	Socket weld flange	Raised face	25 3/4 (655)	5 (127)
642	1-1/2-inch	CL300	ASME B16.5	F316/F316L	Socket weld flange	Raised face	26 3/8 (670)	6 1/8 (155)
651	DN25	PN40	DIN 2512	F316/F316L	Socket weld flange	Type N grooved face	26 3/16 (665)	4 1/2 (115)
652	DN40	PN40	DIN 2512	F316/F316L	Socket weld flange	Type N grooved face	26 5/16 (668)	5 15/16 (150)
672	DN25		DIN11851	Ti grade 1 clad to 304L backing	Hygienic coupling		26 1/4 (666)	Rd 52 × 1/6
677	DN25		DIN11864-1A	Ti grade 1 clad to 304L backing	Hygienic coupling		26 1/4 (667)	Rd 52 × 1/6
681	DN40	PN40	DIN 2526	F316/F316L	Socket weld flange	Type C face	26 5/16 (668)	5 15/16 (150)
682	DN40	PN100	DIN 2526	F316/F316L	Socket weld flange	Type E face	26 11/16 (678)	6 11/16 (170)
782	25mm	20K	JIS B 2220	F316/F316L	Socket weld flange		26 1/8 (664)	4 15/16 (125)
783	40mm	20K	JIS B 2220	F316/F316L	Socket weld flange		26 3/16 (665)	5 1/2 (140)

Fitting options *continued*

Model T150T

Code	Description						Dim. A	Dim. B
624	1-1/2-inch		Tri-Clamp compatible	Ti grade 1 clad to 304L backing	Hygienic fitting		32.04 (814)	2 (50)
625	2-inch		Tri-Clamp compatible	Ti grade 1 clad to 304L backing	Hygienic fitting		32.04 (814)	2 1/2 (64)
641	1-1/2-inch	CL150	ASME B16.5	F316/F316L	Socket weld flange	Raised face	31.46 (799)	5 (127)
642	1-1/2-inch	CL300	ASME B16.5	F316/F316L	Socket weld flange	Raised face	32.08 (815)	6 1/8 (155)
643	1-1/2-inch	CL600	ASME B16.5	F316/F316L	Socket weld flange	Raised face	32.32 (821)	6 1/8 (155)
644	2-inch	CL150	ASME B16.5	F316/F316L	Socket weld flange	Raised face	31.68 (805)	6 (152)
645	2-inch	CL300	ASME B16.5	F316/F316L	Socket weld flange	Raised face	32.30 (820)	6 1/2 (165)
646	2-inch	CL600	ASME B16.5	F316/F316L	Socket weld flange	Raised face	32.56 (827)	6 1/2 (165)
652	DN40	PN40	DIN 2512	F316/F316L	Socket weld flange	Type N grooved face	31.74 (806)	5 7/8 (150)
653	DN50	PN40	DIN 2512	F316/F316L	Socket weld flange	Type N grooved face	32.02 (813)	6 1/2 (165)
656	DN40	PN40	EN 1092-1	F316/F316L	Weld neck flange	Form D	31.74 (806)	5 7/8 (150)
657	DN50	PN40	EN 1092-1	F316/F316L	Weld neck flange	Form D	32.02 (813)	6 1/2 (165)
658	DN40	PN40	EN 1092-1	F316/F316L	Weld neck flange	Form B1	31.74 (806)	5 7/8 (150)
659	DN40	PN100	EN 1092-1	F316/F316L	Weld neck flange	Form B2	32.56 (827)	6 11/16 (170)
660	DN50	PN40	EN 1092-1	F316/F316L	Weld neck flange	Form B1	32.02 (813)	6 1/2 (165)
661	DN50	PN100	EN 1092-1	F316/F316L	Weld neck flange	Form B2	32.84 (834)	7 11/16 (195)
663	DN51		ISO 2853 (IDF)	Ti grade 1 clad to 304L backing	Hygienic coupling		32.04 (814)	DN51
673	DN40		DIN11851	Ti grade 1 clad to 304L backing	Hygienic coupling		32.60 (828)	Rd 65 × 1/6
674	DN50		DIN11851	Ti grade 1 clad to 304L backing	Hygienic coupling		32.04 (814)	Rd 78 × 1/6
678	DN50		DIN11864-1A	Ti grade 1 clad to 304L backing	Hygienic coupling		32.04 (814)	Rd 78 × 1/6
681	DN40	PN40	DIN 2526	F316/F316L	Socket weld flange	Type C face	31.74 (806)	5 7/8 (150)
682	DN40	PN100	DIN 2526	F316/F316L	Socket weld flange	Type E face	32.38 (822)	6 11/16 (170)
683	DN50	PN40	DIN 2526	F316/F316L	Socket weld flange	Type C face	32.02 (813)	6 1/2 (165)
684	DN50	PN100	DIN 2526	F316/F316L	Socket weld flange	Type E face	32.66 (829)	7 11/16 (195)
693	DN51		SMS 1145	Ti grade 1 clad to 304L backing	Hygienic coupling		32.04 (814)	Rd 70 × 1/6
783	40mm	20K	JIS B 2220	F316/F316L	Socket weld flange		31.88 (810)	5 1/2 (140)
784	50mm	20K	JIS B 2220	F316/F316L	Socket weld flange		31.89 (810)	6 1/8 (155)

Fitting options *continued*

Model T150F

Code	Description						Dim. A	Dim. B
624	1-1/2-inch		Tri-Clamp compatible	Ti grade 1 clad to 304L backing	Hygienic fitting		32.04 (814)	2 (50)
625	2-inch		Tri-Clamp compatible	Ti grade 1 clad to 304L backing	Hygienic fitting		32.04 (814)	2 1/2 (64)
641	1-1/2-inch	CL150	ASME B16.5	F316/F316L	Socket weld flange	Raised face	31.46 (799)	5 (127)
642	1-1/2-inch	CL300	ASME B16.5	F316/F316L	Socket weld flange	Raised face	32.08 (815)	6 1/8 (155)
643	1-1/2-inch	CL600	ASME B16.5	F316/F316L	Socket weld flange	Raised face	32.32 (821)	6 1/8 (155)
644	2-inch	CL150	ASME B16.5	F316/F316L	Socket weld flange	Raised face	31.68 (805)	6 (152)
645	2-inch	CL300	ASME B16.5	F316/F316L	Socket weld flange	Raised face	32.30 (820)	6 1/2 (165)
646	2-inch	CL600	ASME B16.5	F316/F316L	Socket weld flange	Raised face	32.56 (827)	6 1/2 (165)
652	DN40	PN40	DIN 2512	F316/F316L	Socket weld flange	Type N grooved face	31.74 (806)	5 7/8 (150)
653	DN50	PN40	DIN 2512	F316/F316L	Socket weld flange	Type N grooved face	32.02 (813)	6 1/2 (165)
663	DN51		ISO 2853 (IDF)	Ti grade 1 clad to 304L backing	Hygienic coupling		32.04 (814)	DN51
673	DN40		DIN11851	Ti grade 1 clad to 304L backing	Hygienic coupling		32.60 (828)	Rd 65 × 1/6
674	DN50		DIN11851	Ti grade 1 clad to 304L backing	Hygienic coupling		32.04 (814)	Rd 78 × 1/6
678	DN50		DIN11864-1A	Ti grade 1 clad to 304L backing	Hygienic coupling		32.04 (814)	Rd 78 × 1/6
681	DN40	PN40	DIN 2526	F316/F316L	Socket weld flange	Type C face	31.74 (806)	5 7/8 (150)
682	DN40	PN100	DIN 2526	F316/F316L	Socket weld flange	Type E face	32.38 (822)	6 11/16 (170)
683	DN50	PN40	DIN 2526	F316/F316L	Socket weld flange	Type C face	32.02 (813)	6 1/2 (165)
684	DN50	PN100	DIN 2526	F316/F316L	Socket weld flange	Type E face	32.66 (829)	7 11/16 (195)
693	DN51		SMS 1145	Ti grade 1 clad to 304L backing	Hygienic coupling		32.04 (814)	Rd 70 × 1/6
783	40mm	20K	JIS B 2220	F316/F316L	Socket weld flange		31.88 (810)	5 1/2 (140)
784	50mm	20K	JIS B 2220	F316/F316L	Socket weld flange		31.89 (810)	6 1/8 (155)

Ordering information

Model	Product description
Standard sensor models	
T025T	Micro Motion Coriolis T-Series sensor; 1/4-inch; straight tube; titanium; 32 Ra (0.8 µm) surface finish
T050T	Micro Motion Coriolis T-Series sensor; 1/2-inch; straight tube; titanium; 32 Ra (0.8 µm) surface finish
T075T	Micro Motion Coriolis T-Series sensor; 3/4-inch; straight tube; titanium; 32 Ra (0.8 µm) surface finish
T100T	Micro Motion Coriolis T-Series sensor; 1-inch; straight tube; titanium; 32 Ra (0.8 µm) surface finish
T150T	Micro Motion Coriolis T-Series sensor; 1 1/2-inch; straight tube; titanium; 32 Ra (0.8 µm) surface finish
Improved surface finish sensor models	
T025F	Micro Motion Coriolis T-Series sensor; 1/4-inch; straight tube; titanium; 15 Ra (0.38 µm) surface finish
T050F	Micro Motion Coriolis T-Series sensor; 1/2-inch; straight tube; titanium; 15 Ra (0.38 µm) surface finish
T075F	Micro Motion Coriolis T-Series sensor; 3/4-inch; straight tube; titanium; 15 Ra (0.38 µm) surface finish
T100F	Micro Motion Coriolis T-Series sensor; 1-inch; straight tube; titanium; 15 Ra (0.38 µm) surface finish
T150F	Micro Motion Coriolis T-Series sensor; 1 1/2-inch; straight tube; titanium; 15 Ra (0.38 µm) surface finish
Code	Fitting options
###	See fittings tables on pages 17–24.
Code	Case options
S	1450 psig (100 bar) containment
P ⁽¹⁾	Purge fittings (two 1/2-inch NPT female); 725 psig (50 bar) containment
Code	Electronics interface
Q	4-wire polyurethane-painted aluminum integral core processor for remotely mounted transmitter with MVD Technology
A	4-wire stainless steel integral core processor for remotely mounted transmitter with MVD Technology
V	4-wire polyurethane-painted aluminum integral core processor with extended mount for remotely mounted transmitter with MVD Technology
B	4-wire stainless steel integral core processor with extended mount for remotely mounted transmitter with MVD Technology
C	Integrally mounted Model 1700 or 2700 transmitter
R	9-wire polyurethane-painted junction box — not available with Models T025 or T050
H	9-wire polyurethane-painted junction box with extended mount — not available with Models T025 or T050
Code	Conduit connections
Electronics interface codes Q, A, V, and B	
B	1/2-inch NPT — no gland
E	M20 — no gland
F	Brass/nickel cable gland (cable diameter 0.335 to 0.394 inches [8.5 to 10 mm])
G	Stainless steel cable gland (cable diameter 0.335 to 0.394 inches [8.5 to 10 mm])
Electronics interface codes R and H (9-wire junction box)	
A	3/4-inch NPT — no gland
H	3/4-inch NPT with brass/nickel cable gland
J	3/4-inch NPT with stainless steel cable gland
Electronics interface code C (integrally mounted transmitter)	
A	No gland

Continued on next page

(1) Not available with sensors with improved surface finish option.

Ordering information *continued*

		Available with electronics interface codes:		
Code	Approval	Q, A, V, B, R, H	C	W, D, Y, E
M	Micro Motion standard (no approval, without CE/EAC markings)	•	•	• ⁽¹⁾
N	Micro Motion standard / PED compliant (with CE/EAC markings)	•	•	• ⁽¹⁾
U ⁽²⁾	UL	•	•	•
C	CSA (Canada only)	•	•	•
A	CSA (U.S.A. and Canada)	•	•	•
Z	ATEX — Equipment Category 2 (Zone 1) / PED compliant	•	•	•
I	IECEX Zone 1	•	•	•
T	TIIS — T4 temperature classification (not available for quote outside Japan)	•	•	
J ⁽³⁾	Hardware ready for TIIS approval (EPM Japan only)	•	•	
V ⁽⁴⁾	ATEX — Equipment Category 3 (Zone 2) / PED compliant		•	
3 ⁽⁴⁾	IECEX Zone 2		•	
2 ⁽⁴⁾	CSA Class I Div. 2 (U.S.A. and Canada)		•	
G	Country specific approval — Requires a selection from the Approvals section of the “Certificate, Tests, Calibrations and Services” model code option	•	•	•
Code	Language			
A	Danish installation manual			
C	Czech installation manual			
D	Dutch installation manual			
E	English installation manual			
F	French installation manual			
G	German installation manual			
H	Finnish installation manual			
I	Italian installation manual			
J	Japanese installation manual			
M	Chinese installation manual			
N	Norwegian installation manual			
O	Polish installation manual			
S	Spanish installation manual			
W	Swedish installation manual			
B	Hungarian CE requirements and English installation manual			
K	Slovak CE requirements and English installation manual			
T	Estonian CE requirements and English installation manual			
U	Greek CE requirements and English installation manual			
L	Latvian CE requirements and English installation manual			
V	Lithuanian CE requirements and English installation manual			
Y	Slovenian CE requirements and English installation manual			
Continued on next page				

(1) No barrier included.

(2) Not available with models T025F or T050F.

(3) Approval code J Requires conduit connection code E if electronics interface option Q, A or H are used.

(4) Available only with electronics interface option C.

Ordering information *continued*

Code	Future option 1
Z	Reserved for future use
Code	Future option 2
Z	Reserved for future use
Code	Measurement application software
Z	No measurement application software
Code	Factory options
Z	Standard product
X	ETO product
Code	Certificat, Tests, Calibrations and Services (not required, all are optional)
	Material Quality Examination Test and Certificate
MC	Material Inspection Certificate 3.1 (Supplier Lot Traceability per EN 10204)
	Pressure Testing (select any from this group)
HT	Hydrostatic Test Certificate 3.1
PN	Pneumatic Test Certificate 3.1
	Dye Penetrant Examination (select any from this group)
D1	Dye Penetrant Test Package 3.1 (Process Connection only; Liquid Dye Penetration NDE Qualification)
D2	Dye Penetrant Test Package 3.1 (Case only; Liquid Dye Penetration NDE Qualification)
	Weld Examination
WP	Weld Procedure Package (Weld Map, Weld Procedure Specification, Weld Procedure Qualification Record, Welder Performance Qualification)
	Special Cleaning
O2	Declaration of Compliance Oxygen Service 2.1
	Metrology Compliance
GR	Russian GOST Calibration Verification Certificate
	Accredited Calibration
IC	ISO17025 Accredited Calibration and Certificates (9 points total)
	Special Calibration Options (Select either none, CV, or CV with one of the additional verification point options)
CV	Custom verification (after original verification points)
01	Add 1 additional verification point
02	Add 2 additional verification points
03	Add 3 additional verification points
06	Add up to 6 additional verification points
08	Add 8 additional verification points
16	Add up to 16 additional verification points
	Sensor Completion Options (select any from this group)
WG	Witness General
SP	Special Packaging
	Country Specific Approvals (must select only one when approval option G selected)
R1	EAC Zone 1 - Hazardous Area Approval
B1	INMETRO Zone 1 - Hazardous Area Approval
Typical model number: T025T 613 S Q B M E Z Z Z Z	

Emerson Process Management Americas

7070 Winchester Circle
Boulder, Colorado USA 80301
www.MicroMotion.com
www.Rosemount.com
T: +1 800 522 6277
T: +1 (303) 527 5200
F: +1 (303) 530 8459

Mexico T: 52 55 5809 5300
Argentina T: 54 11 4837 7000
Brazil T: 55 15 3413 8000
Venezuela T: 58 26 1300 8100
Chile T: 56 2 2928 4800

Emerson Process Management Europe/Middle East

Central & Eastern Europe T: +41 41 7686 111
Dubai T: +971 4 811 8100
Abu Dhabi T: +971 2 697 2000
France T: 0800 917 901
Germany T: 0800 182 5347
Italy T: 8008 77334
The Netherlands T: +31 (0) 70 413 6666
Belgium T: +32 2 716 77 11
Spain T: +34 913 586 000
U.K. T: 0870 240 1978
Russia/CIS T: +7 495 981 9811

Emerson Process Management Asia Pacific

Australia T: (61) 3 9721 0200
China T: (86) 21 2892 9000
India T: (91) 22 6662 0566
Japan T: (81) 3 5769 6803
South Korea T: (82) 2 3438 4600
Singapore T: (65) 6 777 8211

© 2015 Micro Motion, Inc. All rights reserved.

The Emerson logo is a trademark and service mark of Emerson Electric Co. Micro Motion, ELITE, ProLink, MVD and MVD Direct Connect marks are marks of one of the Emerson Process Management family of companies. All other marks are property of their respective owners.

Micro Motion supplies this publication for informational purposes only. While every effort has been made to ensure accuracy, this publication is not intended to make performance claims or process recommendations. Micro Motion does not warrant, guarantee, or assume any legal liability for the accuracy, completeness, timeliness, reliability, or usefulness of any information, product, or process described herein. We reserve the right to modify or improve the designs or specifications of our products at any time without notice. For actual product information and recommendations, please contact your local Micro Motion representative.

