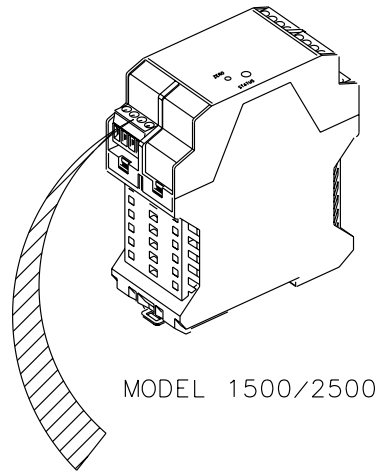


REVISIONS						
REV	ECN	DESCRIPTION OF CHANGE	DRAWN	CHKD	APVD	DATE

GENERAL NOTES (UNLESS OTHERWISE SPECIFIED)

Transmitter:

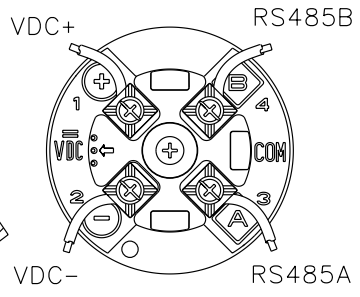
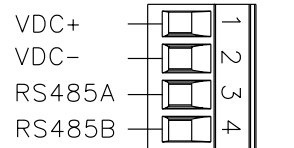
1500B
2500B



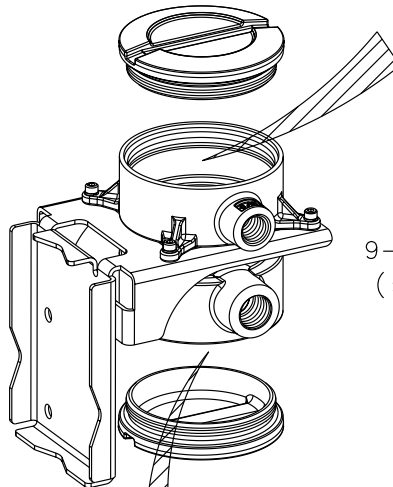
MODEL 1500/2500

4-WIRE IS Cable
1000 ft [300 m]
(maximum cable length)

CUSTOMER SUPPLIED CABLE
MAXIMUM LENGTH:
1000 ft (300m) OF 18 AWG(0.8 mm²)
300 ft (100m) OF 22 AWG(0.35 mm²)



9-WIRE Remote Core Processor
(supplied with transmitter)



Sensor
Terminals:

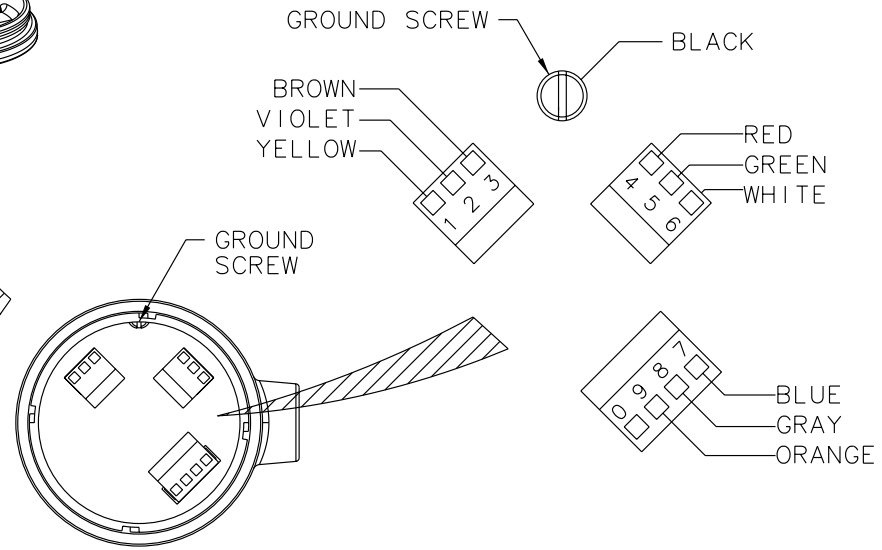
DT065
DT100
DT150

USER - SUPPLIED
METAL JUNCTION BOX
WITH TERMINAL BLOCK

SENSOR WIRE #	COLOR
1	BROWN
2	RED
3	ORANGE
4	YELLOW
5	GREEN
6	BLUE
7	VIOLET
8	GRAY
9	WHITE

9-WIRE IS Cable
60 ft [18 m]
(maximum cable length)

NOTE:
Prepare IS Cable per the instructions
provided with the cable.



ITEM	DESCRIPTION	PART OR REF. NO.	MATL. OR MFR.	QTY.
MICRO MOTION, INC. BOULDER, COLORADO		WIRING, DT TO 1500B/2500B		
DRAWN		NAME		DATE
LLR		JLA		6/2/03
CHKD.		JLA		6/3/03
APVD.		JLA		6/3/03
SIZE		DWC. NO.		REV.
D		EW-20001165		C
SCALE NONE		DO NOT SCALE DRAWING		SHEET 1 OF 1

COPYRIGHT 2005 MICRO MOTION, INC.
ALL RIGHTS RESERVED