

8

7

6

5

4

3

2

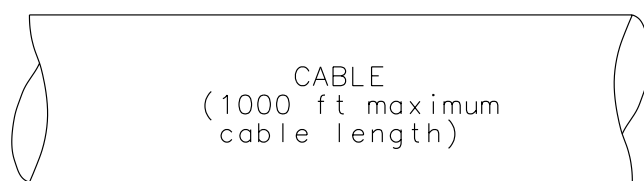
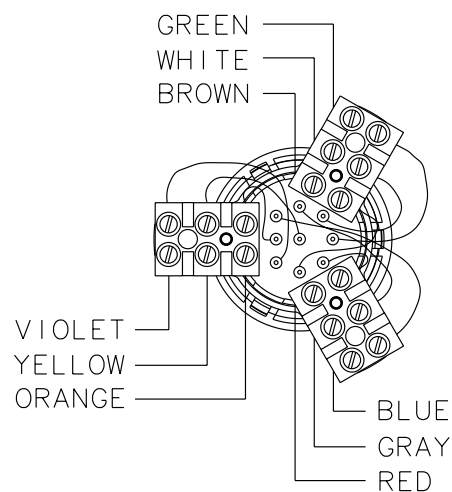
1

GENERAL NOTES (UNLESS OTHERWISE SPECIFIED)

### Sensor Terminals:

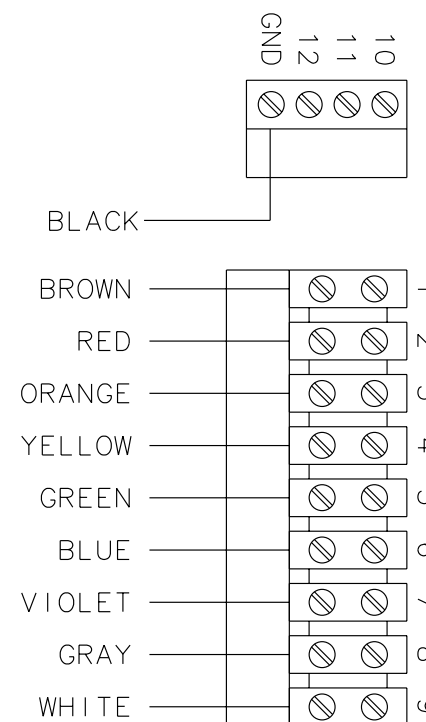
Sensor Types:

CMF010	F025	H025
CMF025	F050	H050
CMF050	F100	H100
CMF100	F200	H200
CMF200		
CMF300	(excluding CMF300A)	



Note: Prepare cable per Transmitter Cable Prep Instructions which is provided with the Cable.

### Model IFT9701 Terminals



D

D

C

C

B

B

A

A

8

7

6


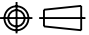
5

4

3

2

1

		 MICRO MOTION, INC. BOULDER, COLORADO	
 THIRD ANGLE PROJECTION		WIRING, IFT9701 TO CMF/F/H	
NAME	DATE	SIZE	DWG. NO.
DRAWN JLA	8/6/96	D	EW-3100732
CHKD. JLA	9/17/96	SCALE NONE	DO NOT SCALE DRAWING
APVD. JLA	9/17/96	SHEET 1 OF 1	

COPYRIGHT 2005 MICRO MOTION, INC.  
ALL RIGHTS RESERVED