

8

7

6

5

4

3

2

1

GENERAL NOTES (UNLESS OTHERWISE SPECIFIED)

D

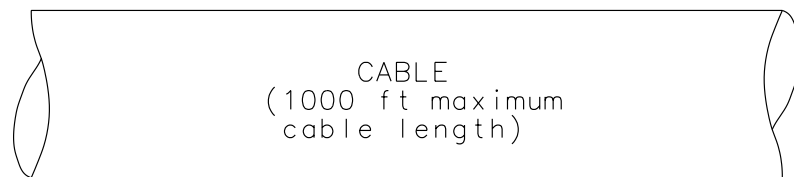
D

### Sensor Terminals:

Sensor Models:

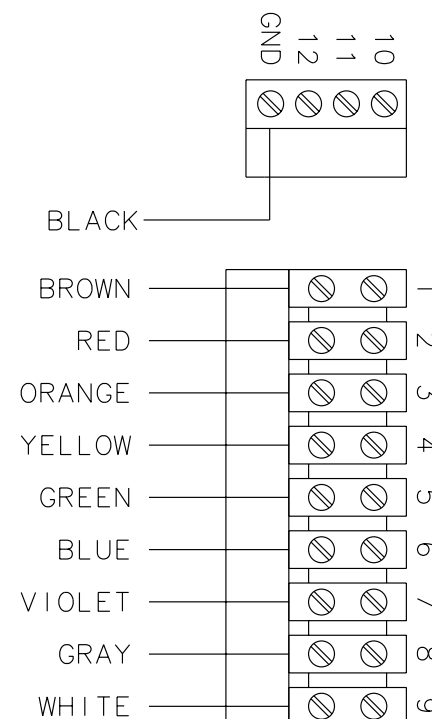
DH025	DL025	DS150
DH038	DL050	DS300
DH100	DL065	
DH150	DL100	
DH300	DL200	

- |   |        |
|---|--------|
| 1 | Brown  |
| 2 | Red    |
| 3 | Orange |
| 4 | Yellow |
| 5 | Green  |
| 6 | Blue   |
| 7 | Violet |
| 8 | Gray   |
| 9 | White  |



Note: Prepare cable per Transmitter Cable Prep Instructions which is provided with the Cable.

### Model IFT9701 Terminals



C

C



B

B

A

A

8

7

6

5

4

3

2

1

		MICRO MOTION, INC. BOULDER, COLORADO	
THIRD ANGLE PROJECTION		WIRING, IFT9701 TO DH/DL/DS	
NAME	DATE	SIZE	DWG. NO.
DRAWN JLA	8/1/96	D	EW-3100731
CHKD. JLA	9/17/96	SCALE	REV. E
APVD. JLA	9/17/96	NONE	DO NOT SCALE DRAWING SHEET 1 OF 1

COPYRIGHT 2005 MICRO MOTION, INC.  
ALL RIGHTS RESERVED