

8

7

6

5

4

3

2

1

GENERAL NOTES (UNLESS OTHERWISE SPECIFIED)

REVISIONS						
REV	ECN	DESCRIPTION OF CHANGE	DRAWN	CHKD	APVD	DATE

3500 IS CONNECTOR

Transmitter:

3500

4-WIRE IS Cable
1000 ft [300 m]
(maximum cable length)

CUSTOMER SUPPLIED CABLE
MAXIMUM LENGTH:
1000 ft (300m) OF 18 AWG(0.8 mm²)
300 ft (100m) OF 22 AWG(0.35 mm²)

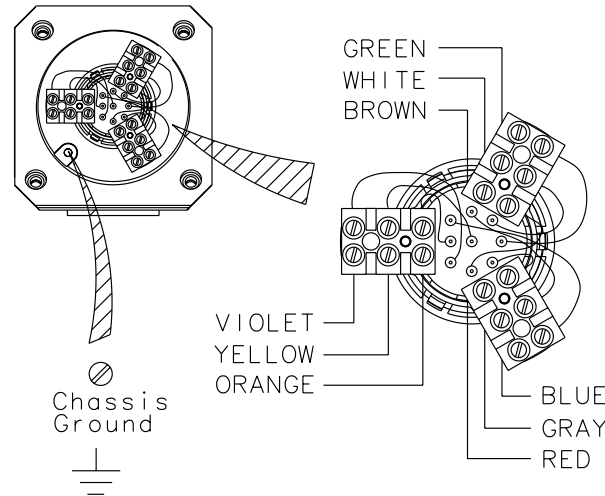
	c	a
	2	2
VDC+	4	4
RS485A	6	6
	8	8
	10	10
	12	12
	14	14
	16	16
	18	18
	20	20
	22	22
	24	24
	26	26
	28	28
	30	30
	32	32
RS485B	VDC-	

Sensor Terminals:

Sensor Types:

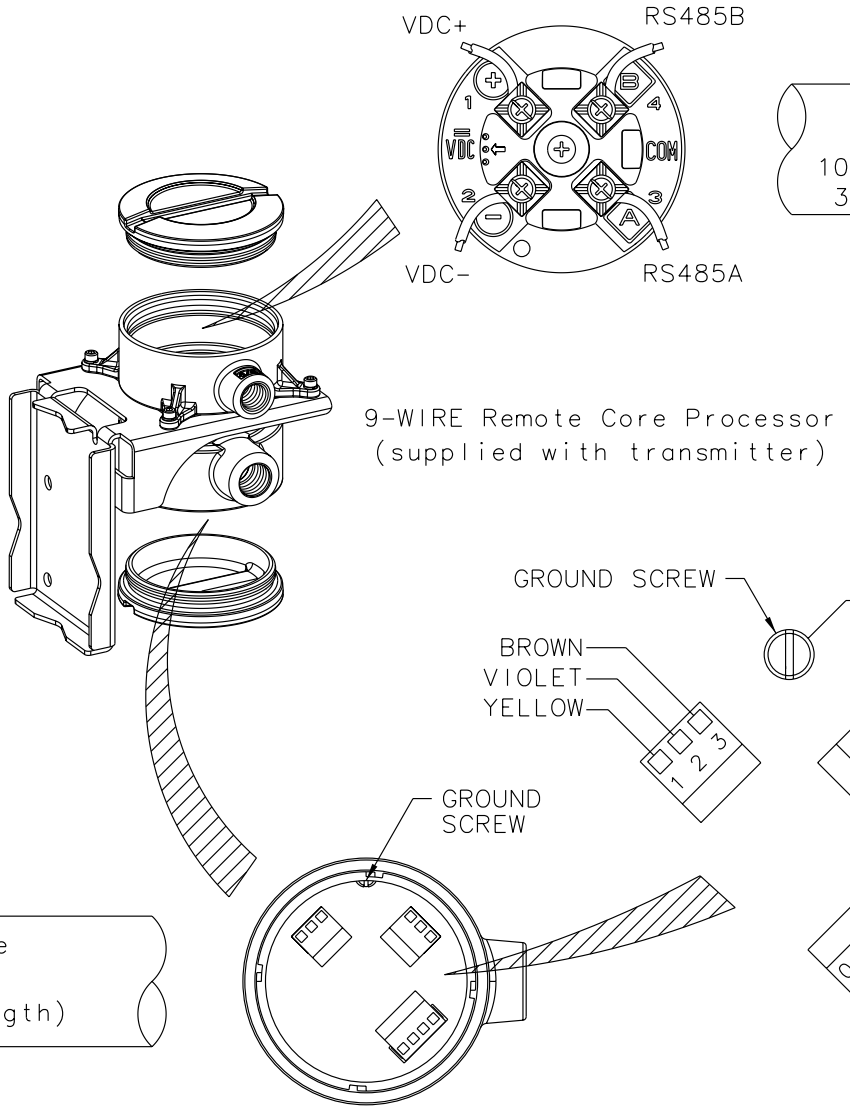
- CMF010
- CMF025
- CMF050
- CMF100
- CMF200
- CMF300 (excluding CMF300A)
- CMF400
- T075 F025 H025
- T100 F050 H050
- T150 F100 H100
- F200 H200
- F300 H300

Sensor Junction Box



9-WIRE IS Cable
60 ft [18 m]
(maximum cable length)

NOTE:
Prepare IS Cable per the instructions provided with the cable.



ITEM	DESCRIPTION	PART OR REF. NO.	MATL. OR MFR.	QTY.
MICRO MOTION, INC. BOULDER, COLORADO		WIRING, JBOX TO 3500		
		THIRD ANGLE PROJECTION		
DRAWN	LLR	12/18/03	SIZE	DWG. NO.
CHKD.	JLA	1/5/04	D	EW-20001938
APVD.	JLA	1/5/04	SCALE NONE	DO NOT SCALE DRAWING SHEET 1 OF 1

COPYRIGHT 2005 MICRO MOTION, INC. ALL RIGHTS RESERVED

8

7

6

5

4

3

2

1