

8 7 6 5 4 3 2 1

GENERAL NOTES (UNLESS OTHERWISE SPECIFIED)

REVISIONS						
REV	ECN	DESCRIPTION OF CHANGE	DRAWN	CHKD	APVD	DATE

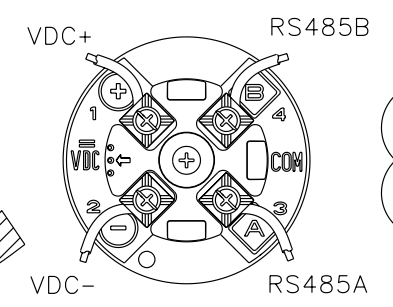
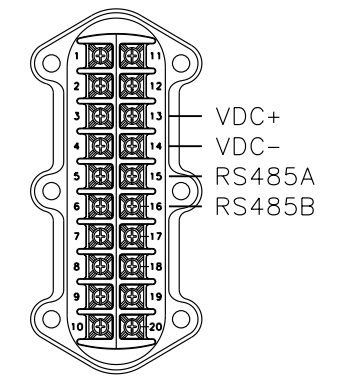
### Transmitter:

3700

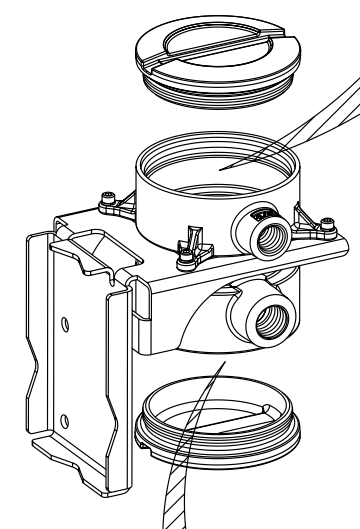
3700  
IS TERMINAL  
(BLUE)

4-WIRE IS Cable  
1000 ft [300 m]  
(maximum cable length)

CUSTOMER SUPPLIED CABLE  
MAXIMUM LENGTH:  
1000 ft (300m) OF 18 AWG(0.8 mm<sup>2</sup>)  
300 ft (100m) OF 22 AWG(0.35 mm<sup>2</sup>)



9-WIRE Remote Core Processor  
(supplied with transmitter)

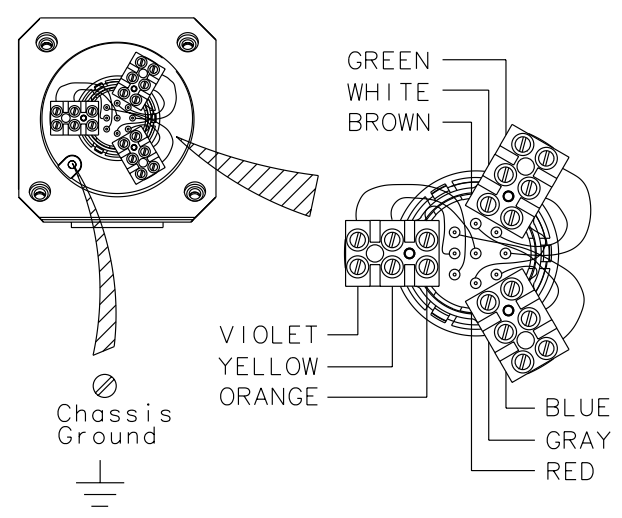


### Sensor Terminals:

Sensor Types:

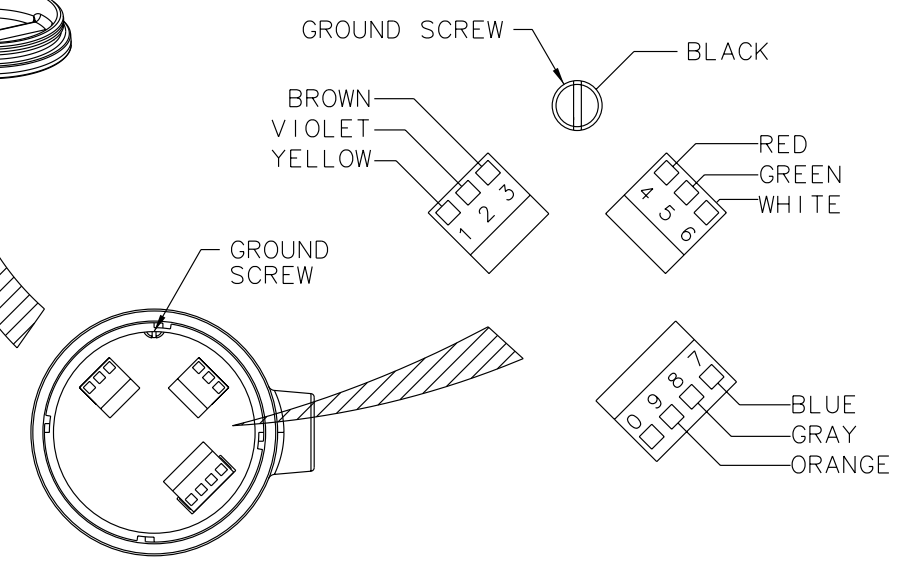
- CMF010
- CMF025
- CMF050
- CMF100
- CMF200
- CMF300 (excluding CMF300A)
- CMF400
- T075    F025    H025
- T100    F050    H050
- T150    F100    H100
- F200    H200
- F300    H300

### Sensor Junction Box



9-WIRE IS Cable  
60 ft [18 m]  
(maximum cable length)

NOTE:  
Prepare IS Cable per the  
instructions provided with  
the cable.



ITEM	DESCRIPTION	PART OR REF. NO.	MATL. OR MFR.	QTY.
	<b>MICRO MOTION, INC.</b> BOULDER, COLORADO			
	WIRING, JBOX TO 3700			
	THIRD ANGLE PROJECTION			
DRAWN	NAME	DATE	SIZE	DWG. NO.
CHKD.	JLA	1/5/04	D	EW-20001945
APVD.	JLA	1/5/04	SCALE NONE	DO NOT SCALE DRAWING SHEET 1 OF 1

COPYRIGHT 2005 MICRO MOTION, INC.  
ALL RIGHTS RESERVED

8 7 6 5 4 3 2 1