

Connecting a Mobrey™ Hydrastep 2468 Control Unit and Remote Display using Fiber Optics

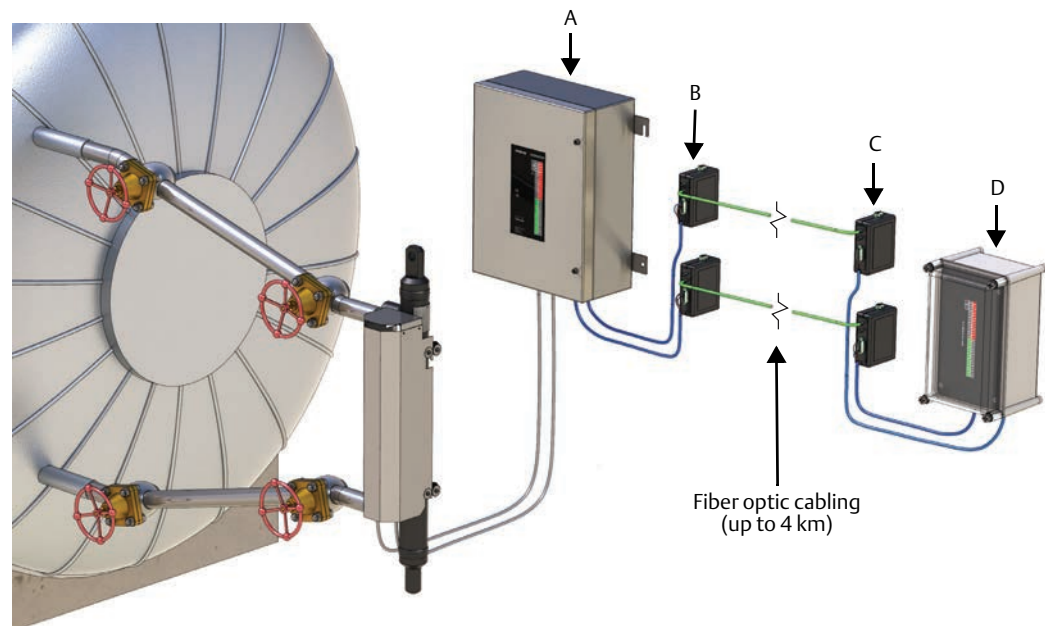
1.1 Introduction

Hydrastep 2468 Water/Steam Monitoring Systems from Emerson are commonly used to give a high-integrity boiler drum measurement.

Regulations require operators to carefully monitor the boiler drum level, including level indication in the control room. If the control room is distant from the boiler, it could be impractical and expensive to run copper wire between the Hydrastep 2468 Control Unit (“primary control unit”) and its Hydrastep Remote Display (“remote indicator”). However, many facilities have existing fiber optic networks. By using appropriate media converters, a signal can be transmitted from the primary control unit to a distant remote indicator across fiber optics (Figure 1-1).

This technical note shows how a boiler drum level remote monitoring application uses Black Box MED101A Multi-Mode Fiber Converters to interconnect a primary control unit and a distant remote indicator with fiber-optics.

Figure 1-1. Hydrastep 2468 System and Remote Display using Fiber Optics



- A. Hydrastep 2468 Control Unit (Primary).
- B. Black Box MED101A Multi-Mode Fiber Converters (at Boiler).
- C. Black Box MED101A Multi-Mode Fiber Converters (at Control Room).
- D. Hydrastep 2463D Remote Display (Indicator).

1.2 Fiber optic link connections

Communications between the primary control unit and remote indicator use a proprietary protocol, but it is implemented at the RS485/RS422 physical layer. The transmission is unidirectional i.e. the primary control unit transmits and the remote indicator receives. There is no return communication.

To implement this architecture using Black Box MED101A Multi-Mode Fiber Converters, the converters need to be configured in RS422 four-wire mode and wired so that only the two wires needed for outbound communications are used (Figure 1-2 and Figure 1-3).

Figure 1-2. Fiber Optic Link Connections

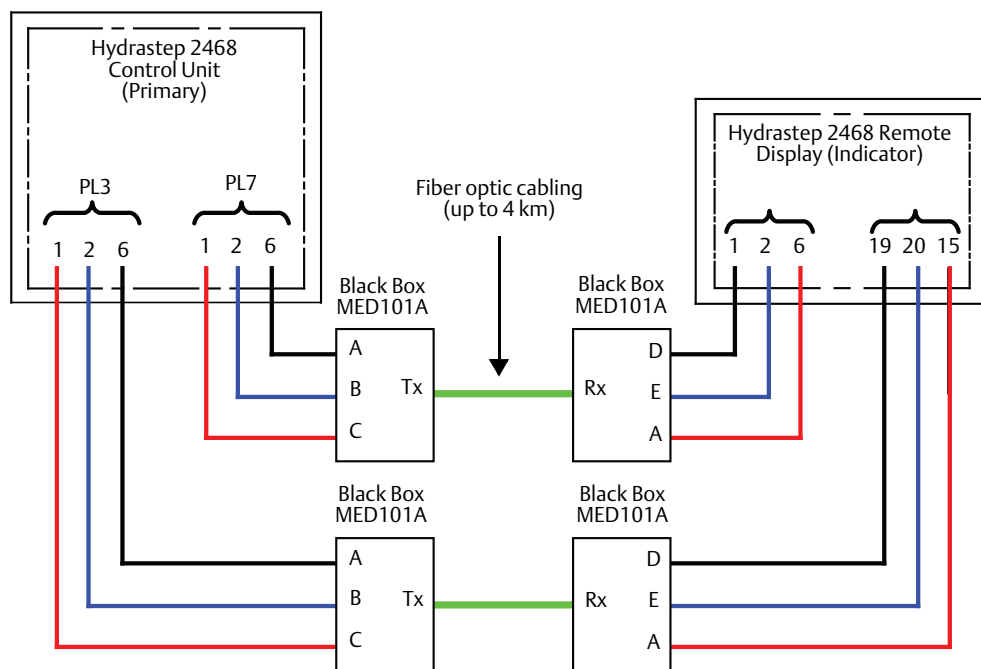


Figure 1-3. Jumper configuration for Transmit and Receive Black Box MED101A converters

1	2	3	4	5	6	7	8	9	10	11	12
Off	Off	Off	Off	On	On	On	Off	Off	Off	On	Off

- Jumpers 1 to 4: Configuring the first 4 jumpers to off enables RS422 mode.
- Jumper 5: Configuring jumper 5 to on enables the converter's built-in 120 Ω termination resistor.
- Jumpers 6 to 7: Configuring jumpers 6 and 7 to on disable the converter's built-in 1.2 kΩ bias resistors.
- Jumpers 8 to 11: Configuring jumpers 8, 9, and 10 to off, and 11 to on, sets the baud rate at 9600.
- Jumper 12: Configuring jumper 12 to off disables RS485 multi-drop point-to-point mode.

Head Office

Rosemount Measurement Limited
158 Edinburgh Avenue
Slough, Berks., SL1 4UE, UK

+44 (0)1753 756600
+44 (0)1753 823589
Infocentral@EmersonProcess.com

North America Office

Emerson Process Management
6021 Innovation Blvd.
Shakopee, MN 55379, USA

+1 800 999 9307 or +1 952 906 8888
+1 952 949 7001
RFQ.RMD-RCC@EmersonProcess.com

Standard Terms and Conditions of Sale can be found at:

Emerson.com/en-us/pages/Terms-of-Use.aspx

The Emerson logo is a trademark and service mark of Emerson Electric Co.
Mobrey is a registered trademark of Rosemount Measurement Ltd.
All other marks are the property of their respective owners.
© 2016 Emerson Process Management. All rights reserved.