
Rosemount Analytical

MODEL 7D THERMAL CONDUCTIVITY ANALYZER EXPLOSION PROOF

INSTRUCTION MANUAL

748221-J1

NOTICE

The information contained in this document is subject to change without notice.

This manual is based on the production version of the Model 7D Thermal Conductivity Analyzer. Hardware and/or software changes may have occurred since this printing.

Teflon® is a registered trademark of E.I. duPont de Nemours and Co., Inc.
SNOOP® is a registered trademark of NUPRO Co.

Manual Part Number 748221-K
October 2000
Printed in U.S.A.

Rosemount Analytical Inc.
4125 East La Palma Avenue
Anaheim, California 92807-1802

CONTENTS

PREFACE

PURPOSE/SAFETY SUMMARY	P5
SPECIFICATIONS.....	P3
CUSTOMER SERVICE, TECHNICAL ASSISTANCE AND FIELD SERVICE	P4
RETURNING PARTS TO THE FACTORY	P4
TRAINING	P4
DOCUMENTATION	P4
COMPLIANCES	P5

SECTION 1. INTRODUCTION

1.1 ANALYZER MODULE	1
1.1.1 Thermal Conductivity Cell	1
1.1.2 Electronic Circuitry	3
1.2 GAS SELECTOR PANEL.....	4

SECTION 2. INSTALLATION

2.1 FACILITY PREPARATION	5
2.1.1 Installation Drawings.....	5
2.1.2 Customer Electrical Connections.....	5
2.1.3 Flow Diagrams.....	5
2.1.4 Location and Mounting.....	5
2.2 UNPACKING	7
2.2.1 Gas Requirements General	7
2.2.2 Calibration Gas Requirements.....	7
2.2.3 Leak Check.....	8
2.2.4 Gas Connections	8

SECTION 2. (CONTINUED)

2.3 RECORDER OUTPUT SELECTION AND CABLE CONNECTIONS.....	10
2.3.1 Standard (Non-linearized) Voltage Output	11
2.3.2 Linearized Voltage Output (Optional)	11
2.3.3 Isolated 4 to 20 mA Current Output (Optional).....	11
2.3.4 Dual Alarms (Optional)	13
2.3.5 Linearized Voltage, Two Ranges (Optional).....	15
2.3.6 Linearized Voltage and Isolated 4 to 20 mA Current Output (Optional).....	16
2.4 ELECTRICAL POWER CONNECTIONS.....	16

SECTION 3. INITIAL STARTUP

3.1 ANALYZER CONTROLS AND ADJUSTMENTS	19
3.2 GAS SELECTOR PANEL CONTROLS	19
3.3 STARTUP PROCEDURE	19
3.4 CALIBRATION	21

SECTION 4. OPERATION

4.1 ROUTINE OPERATION.....	23
4.2 RECOMMENDED CALIBRATION FREQUENCY	23
4.3 SHUTDOWN.....	23

SECTION 5. THEORY

5.1 THERMAL CONDUCTIVITY CELL AND ASSOCIATED BRIDGE ADJUSTMENTS	25
5.2 ELECTRONIC CIRCUITRY	26
5.2.1 Master Board.....	26
5.2.2 Voltage Output Linearizer Board (Optional)	28
5.2.3 Isolated 4 to 20 mA Current Output Board (Optional)	28
5.2.4 Bridge Power Supply.....	29
5.2.5 ±15 Volt Power Supply	29
5.2.6 Detector Blocks	30
5.2.7 Case Temperature Controller Assembly	30
5.2.8 Dual Alarms (Option).....	30

SECTION 6. SERVICE AND MAINTENANCE

6.1 THERMAL CONDUCTIVITY CELL.....	32
6.2 ELECTRONIC CIRCUITRY	32
6.2.1 Amplifier Zero Adjustments.....	32
6.2.2 Bridge Balance and Range Sensitivity Adjustments	32
6.2.3 Bridge Voltage Adjustment	33
6.2.4 Case Temperature Controller	33
6.2.5 Dual Alarm Module (Optional).....	34
6.3 SUPPRESSED ZERO ADJUSTMENT	34

SECTION 7. REPLACEMENT PARTS

7.1 CIRCUIT BOARD REPLACEMENT POLICY	37
7.2 REPLACEMENT PARTS.....	37
7.2.1 Selected Replacement Parts	37
7.2.2 Temperature Control Assembly	38
7.2.3 Alarm Option.....	38
7.2.4 Range Switch Kit.....	38

DATA SHEET

GENERAL PRECAUTIONS FOR HANDLING & STORING HIGH PRESSURE CYLINDERS

WARRANTY

FIELD SERVICE AND REPAIR FACILITIES

FIGURES

1-1. Model 7D Front Panel Controls..... 2
 1-2. Model 7D Major Component Locations..... 3
 1-3. Typical Gas Selector Panel..... 4
 2-1. Gas Selector Panel for Thermal Conductivity Cell with
 Sealed-In Reference Gas 6
 2-2. Gas Selector Panel for Thermal Conductivity Cell Using
 Flowing Reference Gas 6
 2-3. Connection of Analyzer Using Sealed-In Reference Gas to
 Associated Gas 8
 2-4. Connection of Analyzer Using Flowing Reference Gas to
 Associated Gas Selector Panel 9
 2-5. Electrical Connections 10
 2-6. Master Board 12
 2-7. Alarm Adjustments..... 13
 2-8. Typical Alarm Settings 15
 2-9. Case Heater Temperature Control Board 17
 5-1. Thermal Conductivity Cell 27
 7-1. Analyzer Assembly - Door and Pneumatic Components 39
 7-2. Analyzer Assembly - Electronic Components 40
 7-3. Temperature Control Assembly 41

TABLES

1-1. Available Gas Selector Panels..... 4
 2-1. Alarm Output Connections..... 14
 5-1. Range Switch Connections..... 26

DRAWINGS (LOCATED IN REAR OF MANUAL)

613561 Schematic Diagram, Bridge Power Supply - Regulated 5 to 15V
 619710 Schematic Diagram, 15V Power Supply
 624003 Schematic Diagram, Temperature Controller
 652813 Schematic Diagram, Isolated Current Output
 652863 Schematic Diagram, Linearizer Board
 654616 Schematic Diagram, Master Board
 654625 Installation Drawing, Model 7D
 654642 Wiring Diagram, Model 7D

PREFACE

PURPOSE/SAFETY SUMMARY

To avoid explosion, loss of life, personal injury and damage to this equipment and on-site property, all personnel authorized to install, operate and service the Model 7D Thermal Conductivity Analyzer should be thoroughly familiar with and strictly follow the instructions in this manual. **Save these instructions.**

If this equipment is used in a manner not specified in these instructions, protective systems may be impaired.

DANGER is used to indicate the presence of a hazard that **will** cause **severe** personal injury, death, or substantial property damage if the warning is ignored.

WARNING is used to indicate the presence of a hazard which **can** cause **severe** personal injury, death, or substantial property damage if the warning is ignored.

CAUTION is used to indicate the presence of a hazard which **will or can** cause **minor** personal injury or property damage if the warning is ignored.

NOTE is used to indicate installation, operation or maintenance information which is important but not hazard-related.



WARNING: ELECTRICAL SHOCK HAZARD

Do not operate without doors and covers secure. Servicing requires access to live parts which can cause death or serious injury. Refer servicing to qualified personnel.

For safety and proper performance this instrument must be connected to a properly grounded three-wire source of power.

Note:

Before supplying electrical power to the analyzer, remove power to the bridge by disconnecting the red lead from the bridge to TB1-1 or TB1-2 (depending on the bridge polarity). See drawing 654642. To safeguard against filament damage, this lead should remain disconnected until proper gas flow has been established.



WARNING: EXPLOSION HAZARD

Do not operate the Model 7D Explosion-Proof Analyzer without the lens cover and door in place with all bolts secured, unless location have been determined to be non-hazardous.



WARNING: EXPLOSION HAZARD

This analyzer is of a type capable of analysis of sample gases which may be flammable. If used for analysis of such gases, the instruments explosion-proof enclosure must be suitable for the gas.

If explosive gases are introduced into this analyzer, the sample containment system must be carefully leak-checked upon installation and before initial startup, during routine maintenance and any time the integrity of the sample containment system is broken, to ensure the system is in leak-proof condition. Leak-check instructions are provided in Section 2.2.3.

Internal leaks resulting from failure to observe these precautions could result in an explosion causing death, personal injury or property damage.



WARNING: PARTS INTEGRITY

Tampering or unauthorized substitution of components may adversely affect safety of this product. Use only factory documented components for repair.



WARNING: HIGH PRESSURE GAS CYLINDERS

This analyzer requires periodic calibration with known zero and standard gases. Refer to General Precautions for Handling and Storing High Pressure Cylinders, at the rear of this manual.

SPECIFICATIONS

REPRODUCIBILITY

±0.5% of fullscale

ZERO DRIFT¹

±1% of fullscale per 24 hours

SPAN DRIFT¹

±1% of fullscale per 24 hours

NOISE

Less than ±0.5% of fullscale

CELL RESPONSE TIME²

30 seconds for 95% response, with sample flow of 250 cc/min.

SAMPLE FLOW

Nominal, 50 to 350 cc/min; recommended, 250 cc/min.

CALIBRATION GAS FLOW

Nominal, 50 to 350 cc/min; recommended, 250 cc/min.

REFERENCE GAS FLOW (IF REQUIRED)

5 to 50 cc/min.

SUPPLY PRESSURE

10 to 50 psig (69 to 345 kPa)

METER

Indicating analog meter is standard.

OPERATING RANGES

Various zero-based and zero-suppressed ranges, from 0% to 100%, are available. Single range is standard; switch-selectable dual or triple range is optional.

AMBIENT TEMPERATURE RANGE

32°F to 100°F (0°C to 38°C). Case Temperature controlled at 117°F (47°C).

OUTPUT VOLTAGE (STANDARD NON-LINEARIZED)

Switch selectable: 0 to 10 mV, 0 to 100 mV, 0 to 1V or 0 to 5V DC

OUTPUT VOLTAGE (OPTIONAL LINEARIZED)

Switch selectable: 0 to 10 mV, 0 to 100 mV, 0 to 1V or 0 to 5V DC

ISOLATED CURRENT OUTPUT (OPTIONAL)

4 to 20 mA, maximum load 1500 ohms

DUAL ALARMS (OPTIONAL)

Relay contact rating: 1.0 A, 120V AC; 5.0 A, 120V DC, resistive loads

CELL MATERIALS (STANDARD CELL)

316 stainless steel block with tungsten or Hitempco filaments. Corrosion-resistant filaments available on order

POWER REQUIREMENTS

115/230 VAC ±10%, 50/60 Hz, 250 Watts

ENCLOSURE

Class I, Groups B, C and D, Division 1 hazardous locations (ANSI/NFPA 70)

¹ Zero and Span drift specifications based on ambient temperature shifts of less than 18 Fahrenheit degrees (10 Celsius degrees) at a maximum rate of 18 Fahrenheit degrees (11 Celsius degrees) per hour.

² Cell response time is less than 45 seconds for 95% response, with sample flow rate of 250 cc/min, for the following gas combinations: Argon and air, nitrogen, or oxygen; carbon dioxide and argon, nitrogen, or oxygen; helium and methane; hydrogen and methane.

CUSTOMER SERVICE, TECHNICAL ASSISTANCE AND FIELD SERVICE

For order administration, replacement Parts, application assistance, on-site or factory repair, service or maintenance contract information, contact:

**Rosemount Analytical Inc.
Process Analytical Division
Customer Service Center
1-800-433-6076**

RETURNING PARTS TO THE FACTORY

Before returning parts, contact the Customer Service Center and request a Returned Materials Authorization (RMA) number. Please have the following information when you call: *Model Number, Serial Number, and Purchase Order Number or Sales Order Number.*

Prior authorization by the factory must be obtained before returned materials will be accepted. Unauthorized returns will be returned to the sender, freight collect.

When returning any product or component that has been exposed to a toxic, corrosive or other hazardous material or used in such a hazardous environment, the user must attach an appropriate Material Safety Data Sheet (M.S.D.S.) or a written certification that the material has been decontaminated, disinfected and/or detoxified.

Return to:

**Rosemount Analytical Inc.
4125 East La Palma Avenue
Anaheim, California 92807-1802
USA**

TRAINING

A comprehensive Factory Training Program of operator and service classes is available. For a copy of the *Current Operator and Service Training Schedule* contact the Technical Services Department at:

**Rosemount Analytical Inc.
Phone: 1-714-986-7600
FAX: 1-714-577-8006**

DOCUMENTATION

The following Model 7D Thermal Conductivity Analyzer instruction materials are available. Contact Customer Service or the local representative to order.

748221 Instruction Manual (this document)

COMPLIANCES

The explosion-proof Model 7D Thermal Conductivity Analyzer is approved by Factory Mutual Research Corp. (FMRC) for installation in Class I, Groups B, C, and D, Division 1 hazardous locations as defined in the National Electrical Code (NEC), ANSI/NFPA-70.



APPROVED

NOTES

1 INTRODUCTION

The Model 7D Thermal Conductivity Analyzer is designed to continuously measure the concentration of a single component of interest in a flowing gas mixture. The measurement is based on the different thermal conductivity's of the individual components of the sample stream. The method is especially well suited to analysis of two-component sample streams. However, analysis of multi-component streams is possible if the various components of the background gas occur in relatively constant ratio, or have similar thermal conductivity's.

Each Model 7D Analyzer is factory-assembled, as ordered, for determination of a specified component, with specified range of concentration, contained in a background component or background mixture of known composition. Typical examples include: 0 to 100 % hydrogen in nitrogen; 20 to 50 % helium in methane; and 0% to 3% carbon dioxide in air. If so ordered, the instrument is provided with two or three ranges; selectable via a front-panel switch. Information specific to the individual instrument is provided in the data sheet inserted in the back of this instruction manual.

A Model 7D Analyzer consists of an analyzer module, Section 1.1, and, if ordered, an accessory gas selector panel, Section 1.2.

1.1 ANALYZER MODULE

The analyzer module is supplied in an explosion-proof enclosure suitable for installation in hazardous locations classified as Class I, Division 1, Groups B, C, and D per the National Electrical Code (ANSI/NFPA 70) (See DWG 654625).

1.1.1 THERMAL CONDUCTIVITY CELL

The thermal conductivity cell is a metal block with separate passages for the sample and reference gases. In all applications, the sample passage receives a continuous flow of sample gas. Depending on the application, the reference passage may receive a continuous flow of reference gas, or may have the reference gas sealed within.

The sample passage contains a pair of temperature-sensitive resistive filaments. The reference passage contains a similar pair. Electrically, the filaments are connected as legs of a Wheatstone bridge. An internal voltage-regulated power supply is connected via a 20-ohm dropping resistor, to the bridge.

With the power supply output adjusted to provide an appropriate voltage across the

bridge, an electric current flows through the filaments, heating them and thus increasing their electrical resistance. The heat-dissipation rate for each filament depends on the thermal conductivity of the surrounding gas.

Initially, with suitable downscale calibration gas flowing through the sample passage (and also through the reference passage if of the flow-through configuration), the bridge is balanced. Thereafter, any change in the relative proportions of the components passing through the sample passage changes the thermal conductivity of the gas mixture, causing a temperature differential between sample and reference filaments. The resultant change in filament resistance unbalances the bridge, applying a signal to the electronic circuitry (Section 1.1.2).

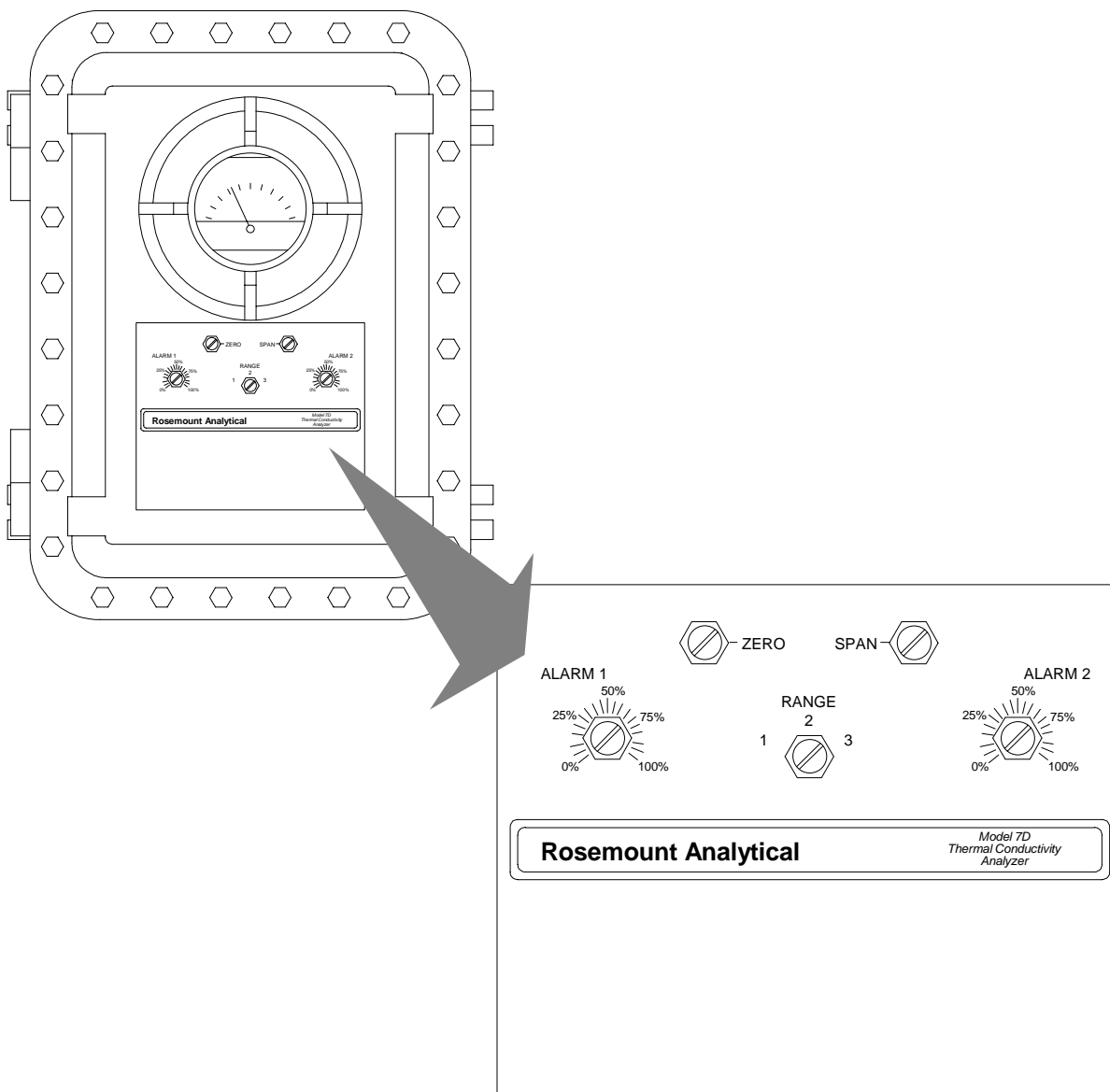


FIGURE 1-1. MODEL 7D FRONT PANEL CONTROLS

1.1.2 ELECTRONIC CIRCUITRY

The analyzer module contains solid-state circuitry that conditions the bridge-imbalance signal as required to provide readout on the front-panel meter. In addition, a field-selectable output for a voltage-type recorder is provided as standard. A field-selectable output of 4 to 20 mA for a current-actuated recorder or other device is obtainable through use of an optional plug-in circuit board. A calibration curve can be used to convert meter or recorder readings into concentration values. Typical calibration curves are supplied for standard ranges. Calibration curves for special ranges are available as options.

To avoid use of a calibration curve in an application where it would otherwise be required, the analyzer may be equipped with an optional linearizer board. If so, the linearizer is factory set for a given range only, and is not usable on another range. Note that a linearizer is usable only if nonlinearity at midscale does not exceed approximately 20% of fullscale.

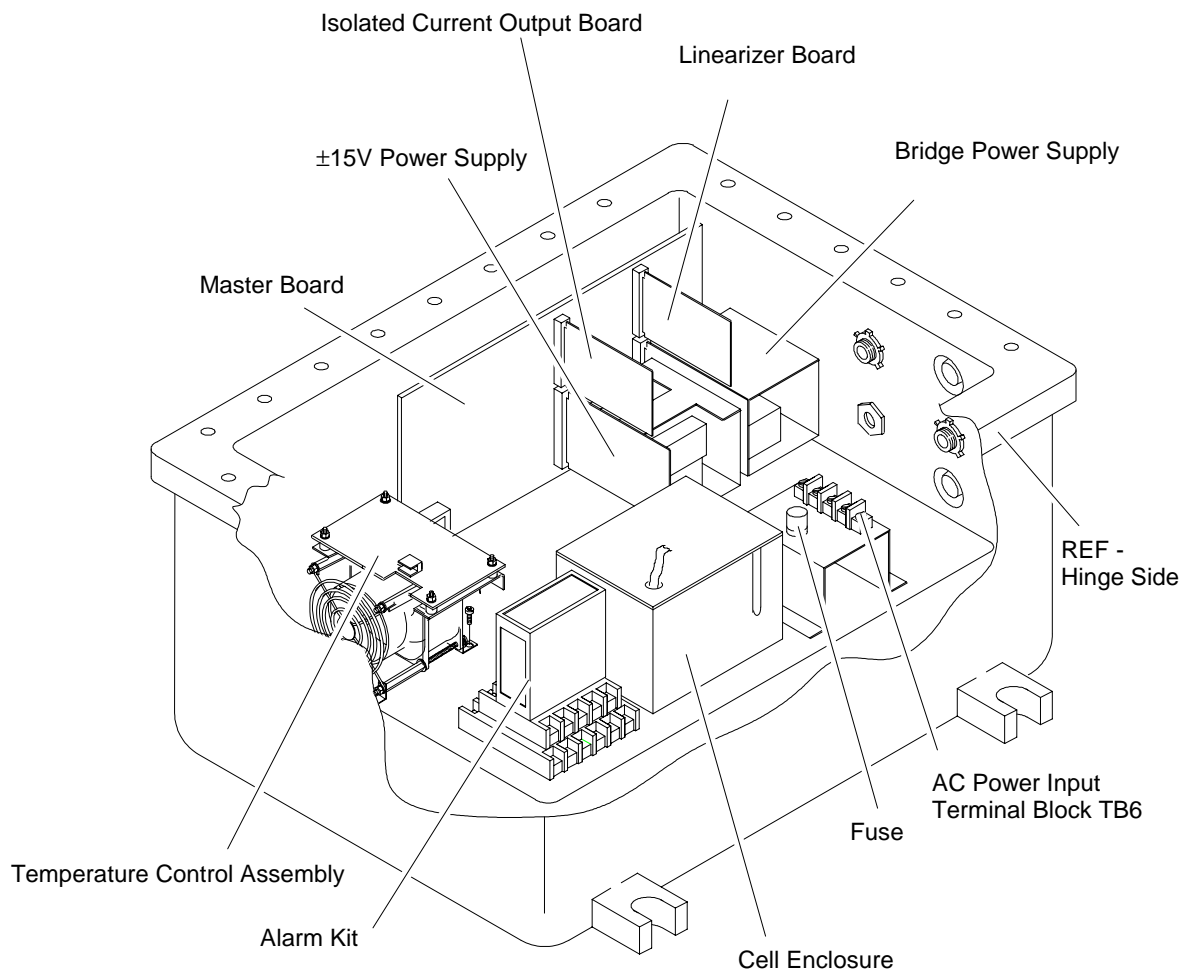
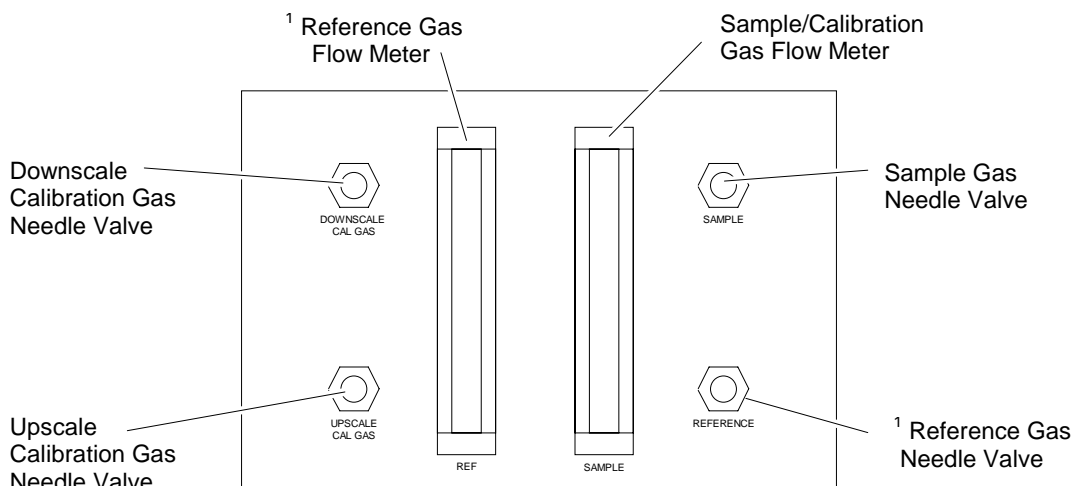


FIGURE 1-2. MODEL 7D MAJOR COMPONENT LOCATIONS

1.2 GAS SELECTOR PANEL

If so ordered, the analyzer module is provided with an appropriate gas selector panel, Figure 1-3. The gas selector panel permits selection, flow adjustment, and flow measurement for the various gases: sample; flowing reference gas, if used; and downscale and upscale calibration gases. Proper choice of a gas selector panel depends on:

1. Configuration of the thermal conductivity cell, i.e., flowing or sealed-in reference gas.
2. Composition of the sample stream. For non-corrosive streams, the gas selector panel is assembled with brass components. For corrosive streams, stainless steel is used.



¹ Provided only if thermal conductivity cell uses flowing reference gas.

FIGURE 1-3. TYPICAL GAS SELECTOR PANEL

DESCRIPTION	PART NUMBER
Brass and Copper construction for use with sealed reference	113357
Stainless steel construction for use with sealed reference	113920
Brass and Copper construction for use with flowing reference	117195
Stainless steel construction for use with flowing reference	118210

TABLE 1-1. AVAILABLE GAS SELECTOR PANELS

2 INSTALLATION

2.1 FACILITY PREPARATION

Sections 2.1.1 through 2.1.4 provide information that may be required prior to installation.

2.1.1 INSTALLATION DRAWINGS

For outline and mounting dimensions of the analyzer and gas selector panel modules, refer to drawing 654625 and Figure 2-1 or 2-2.

2.1.2 CUSTOMER ELECTRICAL CONNECTIONS

Customer electrical connections are shown in Figure 2-5.

2.1.3 FLOW DIAGRAMS

For gas connections, refer to appropriate flow diagram:

- Analyzer using sealed reference gas, Figure 2-3
- Analyzer using flowing reference gas, Figure 2-4.

2.1.4 LOCATION AND MOUNTING

LOCATION

Proper location for the analyzer depends on two basic considerations:

- Accessibility to the sampling point
- Protection of the instrument

Ideally, the analyzer should be located as close to the sampling point as possible. Short sample lines reduce time lag in readings. In practice, however, protection of the instrument sometimes calls for more remote placement.

The analyzer should be mounted in a clean, dry atmosphere. Ambient temperature should be within the range of 32°F to 100 F (0°C to 38°C).

MOUNTING

The analyzer is designed for surface mounting, utilizing the hardware provided. Refer to drawing 654625.

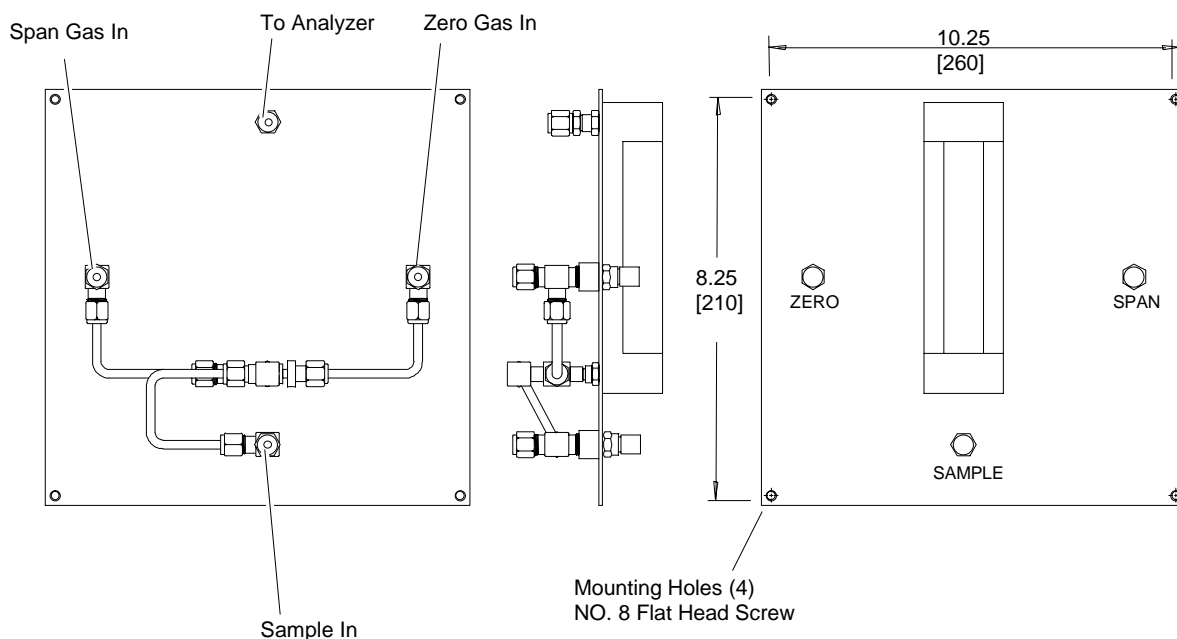


FIGURE 2-1. GAS SELECTOR PANEL FOR THERMAL CONDUCTIVITY CELL WITH SEALED-IN REFERENCE GAS

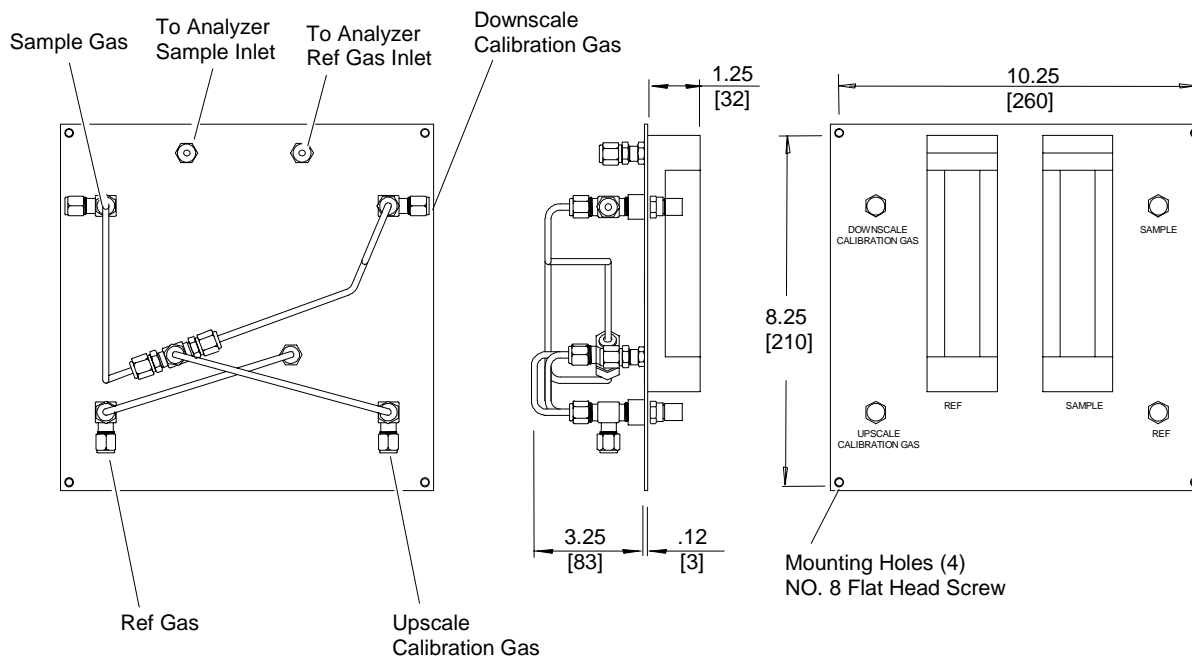


FIGURE 2-2. GAS SELECTOR PANEL FOR THERMAL CONDUCTIVITY CELL USING FLOWING REFERENCE GAS

2.2 UNPACKING

The Model 7D Thermal Conductivity Analyzer is a precision instrument and should be handled carefully. Carefully examine the shipping carton and contents for signs of damage. Immediately notify the carrier if the carton or its contents are damaged. Retain the carton and packing material until the instrument is operational.

2.2.1 GAS REQUIREMENTS GENERAL

The Model 7D requires cylinder gases appropriate to the particular application (refer to the Data Sheet inserted in this manual). Suitable gases are available from various suppliers.

2.2.2 CALIBRATION GAS REQUIREMENTS

For calibration, the analyzer requires a downscale and an upscale calibration gas, both normally specified in the Data Sheet. Proper choice of calibration gases for a particular application depends on the composition of the sample stream and the operating range used.

SAMPLE GAS COMPOSITION

In a typical application, the sample gas consists of two components, for example: hydrogen in nitrogen. In this example, hydrogen is designated the “measured component” and nitrogen constitutes the “background gas.”

SUPPRESSED-ZERO RANGES

With any zero-suppressed range, the zero-concentration point for the measured component lies offscale, below the lower range-limit. A typical example is 80% to 100% hydrogen in nitrogen. Here the appropriate upscale calibration gas would be pure hydrogen. The downscale gas would have a composition appropriate to establishing a calibration point slightly above the lower range-limit e.g., 81% hydrogen in nitrogen.



WARNING: POSSIBLE EXPLOSION HAZARD

This analyzer is of a type capable of analysis of sample gases which may be flammable. If used for analysis of such gases, the instruments explosion-proof enclosure must be suitable for the gas.

If explosive gases are introduced into this analyzer, the sample containment system must be carefully leak-checked upon installation and before initial startup, during routine maintenance and any time the integrity of the sample containment system is broken, to ensure the system is in leak-proof condition.

Internal leaks resulting from failure to observe these precautions could result in an explosion causing death, personal injury or property damage.

2.2.3 LEAK CHECK

Pressurize the system with air or inert gas such as nitrogen, making sure not to exceed specified pressure limitation.

Liberally cover all fittings, seals and other possible sources of leakage with leak test liquid such as SNOOP (PN 837801).

Bubbling or foaming indicates leakage, which **MUST** be corrected before introduction of flammable-sample and/or application of electrical power.

2.2.4 GAS CONNECTIONS

The analyzer and gas selector panel modules must be interconnected according to the flow diagram specified in the Data Sheet at the front of this manual. Gas fittings on both modules are tagged as to use. Fittings are 1/4-inch NPT for 1/4-inch (6.3 mm) tubing. For interconnection, use 1/4-inch (6.3 mm) copper or stainless steel tubing, depending on whether the sample stream is corrosive.

CONNECTION OF GASES

Refer to Figure 2-3 or 2-4 and drawing 654625. Connect sample/calibration gas lines to fittings tagged “INLET” on bottom of analyzer. Connect appropriate vent line to fitting labeled “OUTLET.”

Follow similar procedure for reference gas, if any.

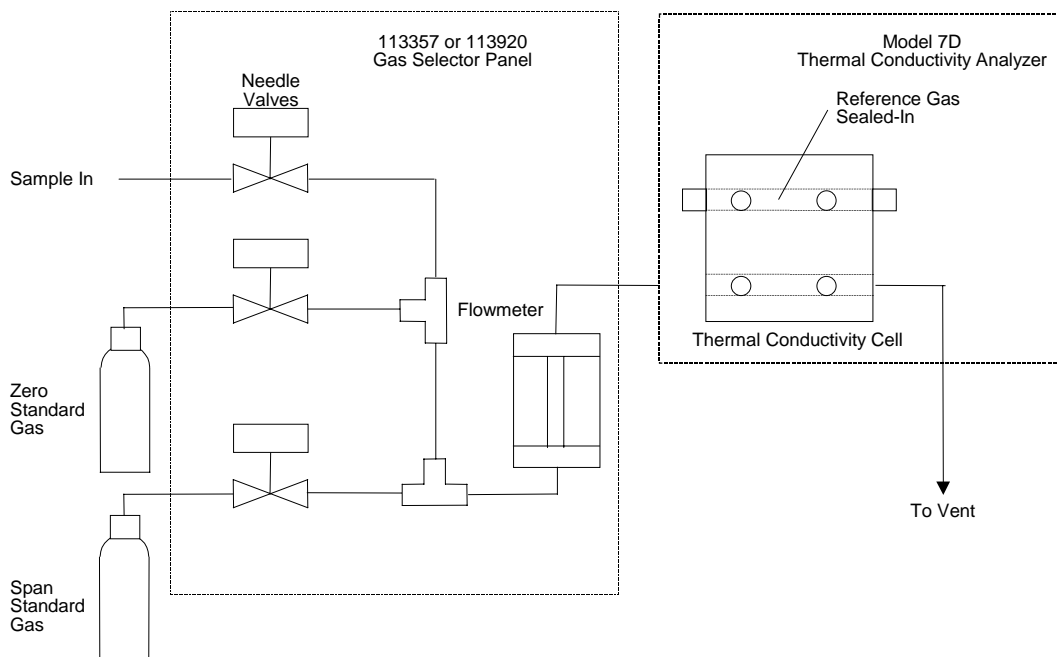
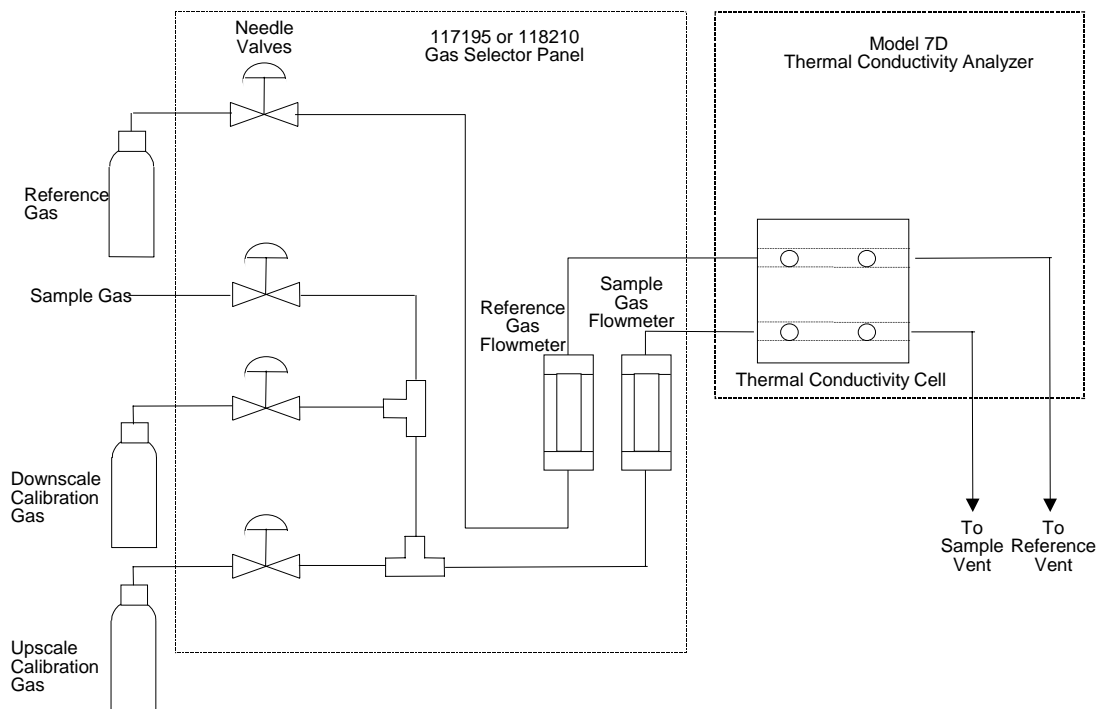


FIGURE 2-3. CONNECTION OF ANALYZER USING SEALED-IN REFERENCE GAS TO ASSOCIATED GAS

A. DIFFERENT REFERENCE GAS AND CALIBRATION GAS



B. REFERENCE GAS ALSO USED AS CALIBRATION GAS

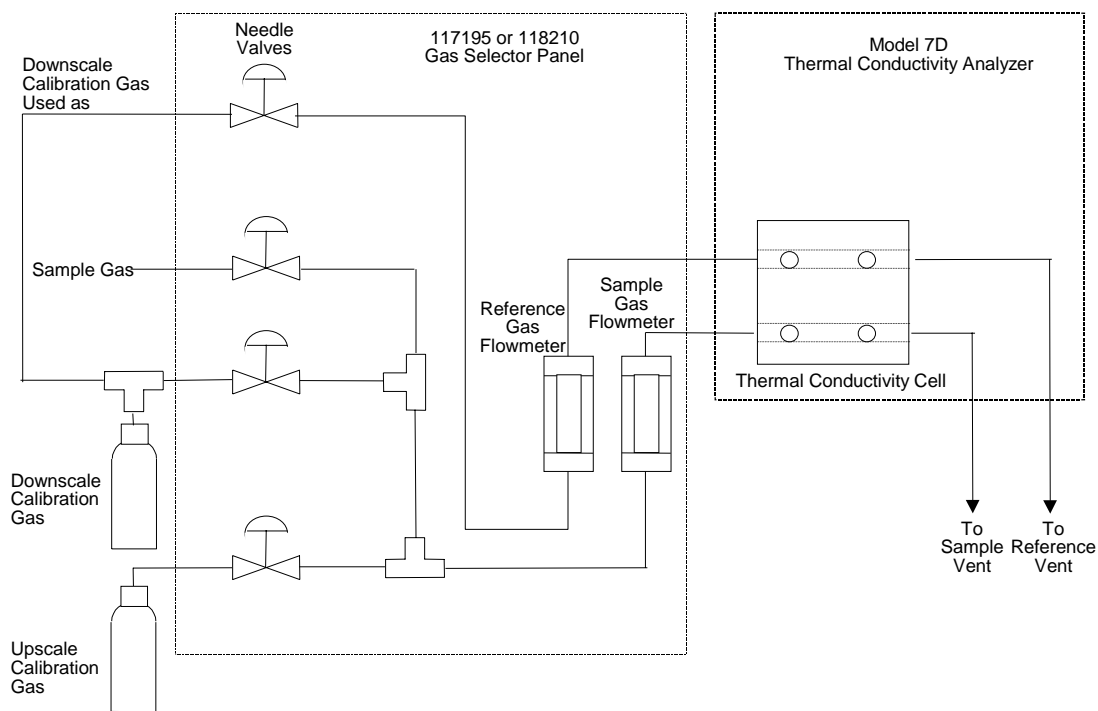


FIGURE 2-4. CONNECTION OF ANALYZER USING FLOWING REFERENCE GAS TO ASSOCIATED GAS SELECTOR PANEL

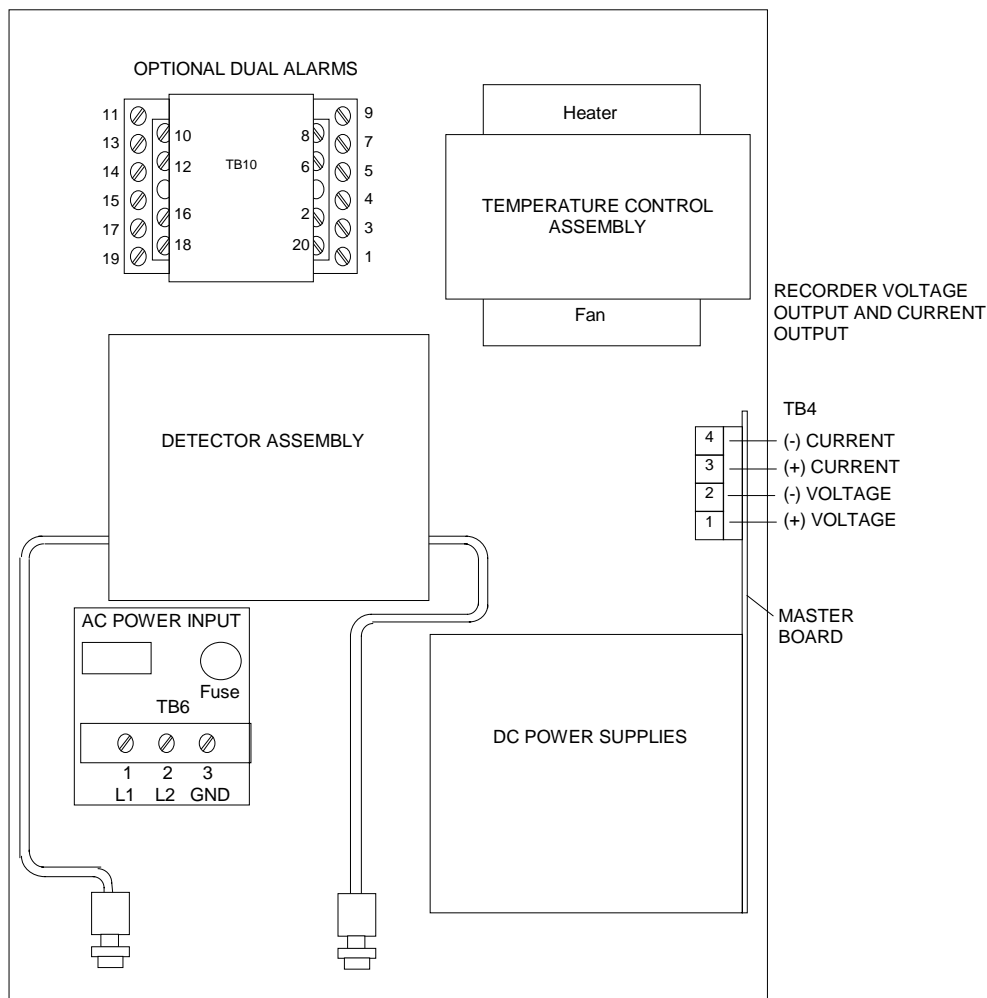


FIGURE 2-5. ELECTRICAL CONNECTIONS



CAUTION

Do not plug or restrict vents.

2.3 RECORDER OUTPUT SELECTION AND CABLE CONNECTIONS

If a recorder, controller, or other output device is used, connect it to the analyzer (refer to drawing 654642) via a number 22 or number 24 AWG two-conductor shielded cable. Route the cable through conduit to the analyzer, and into the case through the appropriate opening shown in drawing 654625.

Note:

Route recorder cable through a separate conduit, not with power cable.

Output selection and cable connections for voltage-actuated and current-actuated devices are explained in Sections 2.3.1 through 2.3.5.

2.3.1 STANDARD (NON-LINEARIZED) VOLTAGE OUTPUT

1. On the Master Board (Figure 2-6):
 - a. Verify that TB2-1 is jumpered to TB2-2.
 - b. Set S1 for desired voltage: 5V, 1V, .1V, or .01V.
 - c. Connect the recorder cable to the TB4 terminals labeled VOLT OUT: TB4-1(+) and TB4-2(-).

Note

Take the usual precautions to avoid AC pickup. DO NOT GROUND EITHER LEAD.

2. Connect the cable to input terminals of the recorder; ensure that polarity is correct.
3. Ground shield on one end only.

2.3.2 LINEARIZED VOLTAGE OUTPUT (OPTIONAL)

1. Verify that Voltage-Output Linearizer Board (PN 633756) is properly inserted in J102.
2. On the Master Board (Figure 2-6):
 - a. Verify that TB2-1 is jumpered to TB2-4, and TB2-2 is jumpered to TB2-5.
 - b. Set S1 for desired voltage: 5V, 1V, .1 V, or .01 V.
 - c. Connect the recorder cable to the TB4 terminals labeled VOLT OUT: TB4-1 (+) and TB4-2 (-).

Note

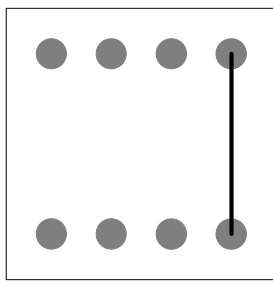
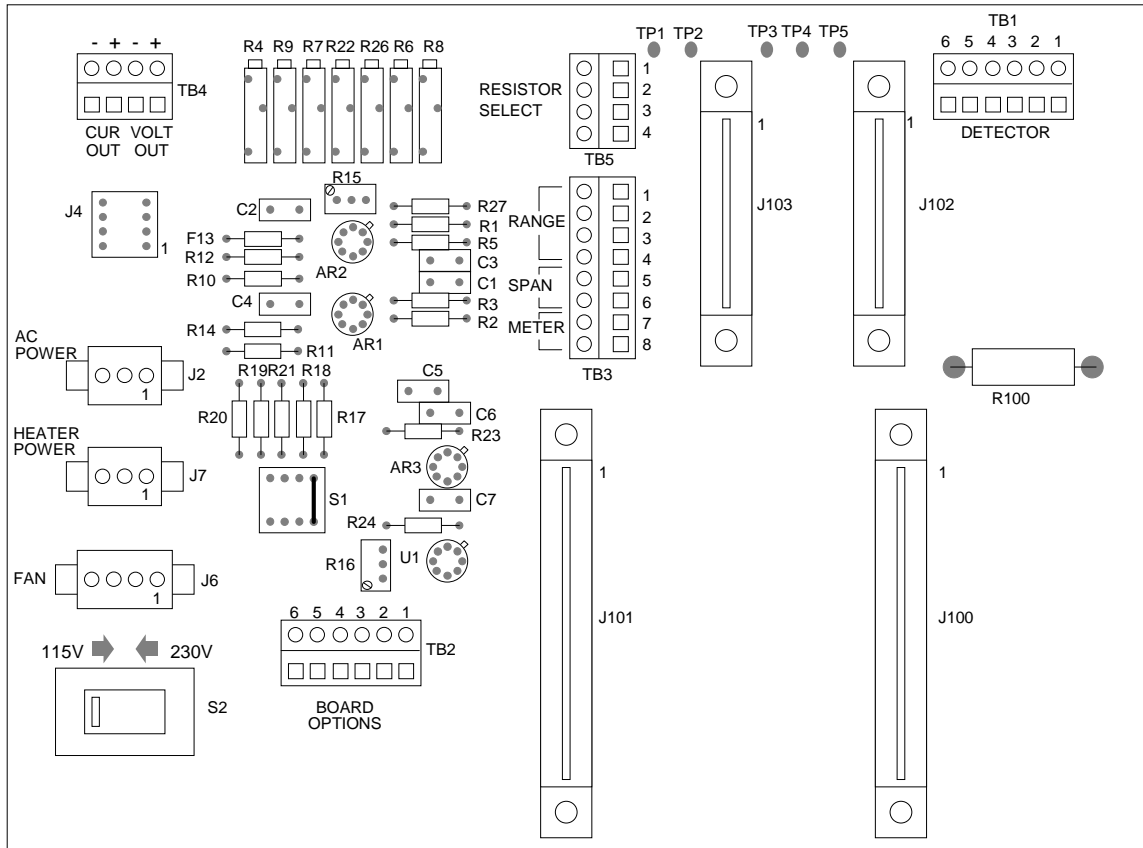
Take the usual precautions to avoid AC pickup. DO NOT GROUND EITHER LEAD.

3. Connect the cable to the recorder input terminals; ensure that polarity is correct.

2.3.3 ISOLATED 4 TO 20 mA CURRENT OUTPUT (OPTIONAL)

1. Verify that the Isolated 4 to 20 mA Current Output Board (PN 652816) is properly inserted in J103.
2. On the Master Board (Figure 2-6):
 - a. Verify that TB2-1 is jumpered to TB2-2 and TB2-2 is jumpered to TB2-6.

- b. Connect the recorder cable to the TB4 terminals labeled CUR OUT: TB4-3 (+) and TB4-4 (-).
3. Connect the cable to the recorder input terminals; ensure that polarity is correct. Total resistance of the output device and associated cable must not exceed 1500 ohms.



DETAIL OF S1

S1	Used to select voltage output range: 5V, 1V, 0.1V, or .01V
R4	AR1 gain adjust. Permits adjustment of AR1 gain from X1 to X100, to establish the sensitivity desired for Range 1. This is the highest sensitivity range.
R6, R8, R26	AR1 zero adjust. Used to eliminate voltage offset within AR1 and Bridge, and provide zero suppression.
R9	Setting determines attenuation factor applicable to AR2 output, Range 3.
R7	Setting determines attenuation factor applicable to AR2 output Range 2.
R22	Permits adjusting meter fullscale to agree with recorder fullscale
R15	Used to eliminate voltage offset within AR2.
R16	Sets the stable ± 10 V source.

ADJUSTMENTS

FIGURE 2-6. MASTER BOARD

2.3.4 DUAL ALARMS (OPTIONAL)

The alarm module is installed in the instrument as shown in Figure 1-2 and electrical connections are shown in drawing 654642. The analyzer is factory configured and requires no user adjustments.

Pins for AC power (1, 2, and 3), alarm setpoint control (8, 10, 18, and 19), and signal from analyzer circuitry (7 and 9) are wired at the factory. Connections of the remaining pins depend on individual application requirements.

If the instrument has this option, the analyzer will have the following setpoint adjustment potentiometers: Alarm 1 (the Low Alarm) and Alarm 2 (the High Alarm) on the front panel (Figure 1-1) and Deadband on the alarm module (see Figure 2-7).

FRONT VIEW OF ALARM MODULE

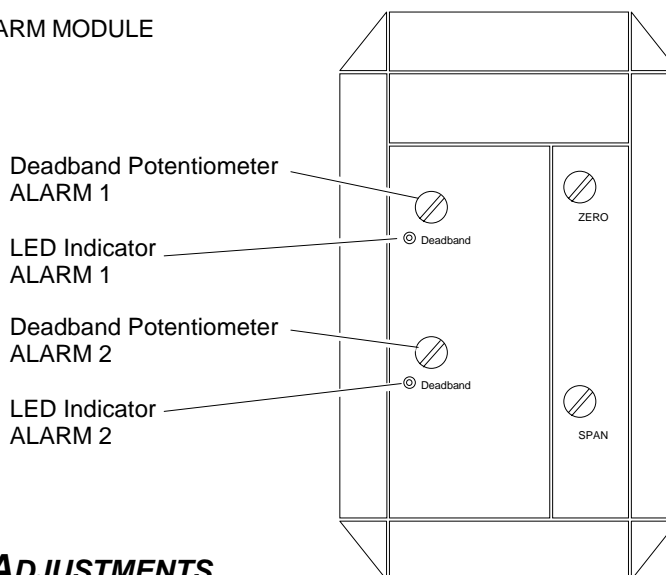


FIGURE 2-7. ALARM ADJUSTMENTS

The power and input signals have been wired to the terminal strip into which the alarm module plugs. The wiring to the contacts (18 or 20 AWG) is routed through a conduit hole (see Drawing 654625).

The alarm relay is in energized mode when power is applied. Wire output to the appropriate contact (see Figure 2-5 and Table 2-1). The Form C relay contacts are rated at 5 A, 120 VDC and 1 A, 120 VAC, resistive loads.

A lit LED next to the Deadband pots indicates the alarm is activated.

<i>PIN</i>	<i>OUTPUT</i>	<i>PIN</i>	<i>OUTPUT</i>
11	N.C. #1	14	N.O. #2
12	COM #1	15	COM #2
13	N.O. #1	16	N.C. #2

Contact Rating: 1.0 A, 120 VAC; 5.0 A, 120 VAC. Form C, resistive loads.

TABLE 2-1. ALARM OUTPUT CONNECTIONS

Note:

The Zero and Span for setting the input voltage from the analyzer has been set at the factory. To check it, see Section 6.2.5.

The following is recommended:

1. A fuse should be inserted into the line between the customer-supplied power supply and the alarm module terminals on the Alarm Relay Assembly.
2. If the alarm contacts are connected to any device that produces radio frequency interference (RFI), the device should be arc-suppressed (P/N 858728 Arc Suppressor is recommended).
3. The analyzer and any RFI-producing device should operate on different AC power sources to avoid RFI.

Removal of AC power from the analyzer, as in a power failure, de-energizes both alarm module relays, setting an alarm condition. Switching characteristics of the ALARM 1 and ALARM 2 relays are as follows:

ALARM 1 RELAY

The ALARM 1 relay coil is de-energized when the meter needle moves downscale through the value that corresponds to setpoint minus deadband. This relay coil is energized when the needle moves upscale through the value that corresponds to setpoint plus deadband (see Figure 2-8).

ALARM 2 RELAY

The ALARM 2 relay coil is de-energized when the meter needle moves upscale through the value that corresponds to the setpoint plus deadband. This relay coil is energized when the needle moves downscale through the value that corresponds to setpoint minus deadband (see Figure 2-8).

FAIL-SAFE APPLICATIONS

By making the appropriate connections to the double-throw relay contacts, the operator can obtain either 1) a contact closure or contact opening for an energized relay, or 2) a contact closure or contact opening for a de-energized relay. For fail-safe applications, the operator must understand which circuit conditions are required to achieve relay de-energization in the event of power failure.

2.3.5 LINEARIZED VOLTAGE, TWO RANGES (OPTIONAL)

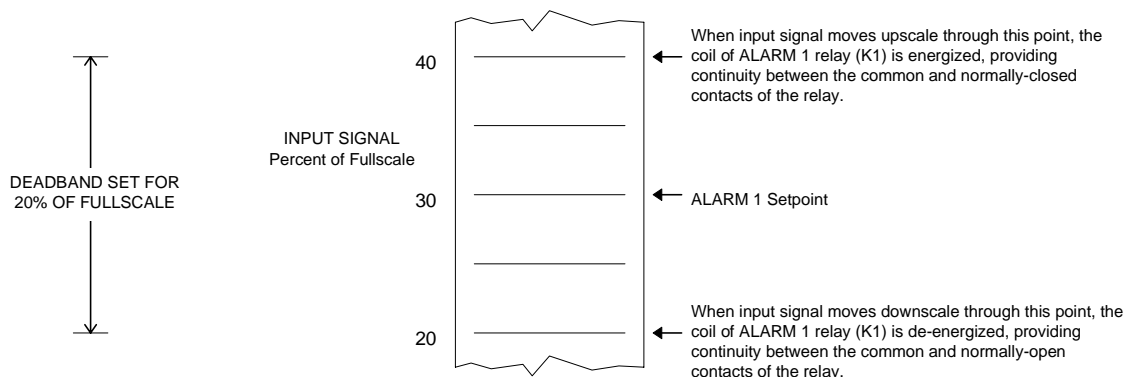
1. Verify that the Voltage Output Linearizer Board (PN 633756) is properly inserted in both J102 and J103.
2. Verify that the range switch on the door is properly connected: Position (Range) 1 to TB2-5, Position 2 to TB2-3, Wiper to TB2-2.
3. On the Master Board (Figure 2-6):
 - a. Verify that TB2-1 is jumpered to TB2-4, and TB2-4 is jumpered to TB2-6.
 - b. Select desired range on S1.
 - c. Connect recorder cable to the TB4 terminals labeled VOLT OUT: TB4-1 (+) and TB4-2 (-).

Note

Take the usual precautions to avoid AC pickup. DO NOT GROUND EITHER LEAD.

4. Connect the cable to the recorder input terminals; ensure that polarity is correct.

A. Typical ALARM 1 Setting (LOW)



B. Typical ALARM 2 Setting (HIGH)

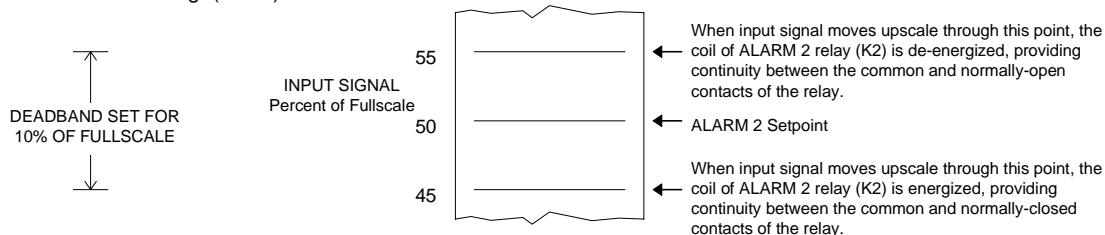


FIGURE 2-8. TYPICAL ALARM SETTINGS

2.3.6 LINEARIZED VOLTAGE AND ISOLATED 4 TO 20 mA CURRENT OUTPUT (OPTIONAL)

1. Verify that the Voltage Output Linearizer Board (PN 633756) is properly inserted in J102.
2. Verify that the Isolated 4 to 20 mA Current Output Board (PN 652816) is properly inserted in J103.
3. On the Master Board (Figure 2-6):
 - a. Verify that TB2-1 is jumped to TB2-4, TB2-2 is jumped to TB2-5, and TB2-5 is jumped to TB2-6.
 - b. Set S1 for the desired voltage: 5 V, 1 V, .1 V, or .01 V.
 - c. Connect the recorder cable to the TB4 terminals labeled VOLT OUT: TB4-1 (+) and TB4-2 (-).

Note

Take the usual precautions to avoid AC pickup. DO NOT GROUND EITHER LEAD.

4. Connect the cable to recorder VOLTAGE input terminals; ensure that polarity is correct.
5. On the Master Board (Figure 2-6):
 - a. Connect the recorder cable to the TB4 terminals labeled CUR OUT: TB4-3 (+) and TB4-4 (-).
6. Connect the cable to the recorder CURRENT input terminals; ensure that polarity is correct.

2.4 ELECTRICAL POWER CONNECTIONS



WARNING: ELECTRICAL SHOCK HAZARD

For safety and proper performance, this instrument must be connected to a properly grounded three-wire source of power.

Note

Before supplying electrical power to analyzer, disconnect the red lead from the bridge to TB1-1 or TB1-2 (depending on bridge polarity). This action disconnects power to the bridge (see drawing 654642). To safeguard against filament damage, this lead should remain disconnected until proper gas flow has been established.

The analyzer is supplied, as ordered, for operation on 107 to 127 or 214 to 254 VAC, 50/60 Hz, 250 watts. Verify that the power source conforms to the requirements of the individual instrument as noted on the name rating plate. Ensure that switches S2 on the Master Board (see Figure 2-6) and S3 on the case heater temperature control board (see Figure 2-9) are set to required voltage.

Electrical power is supplied to the analyzer via a customer-supplied three-conductor cable, type SJT, minimum wire size 18 AWG. Route the power cable through conduit and into the appropriate opening in the instrument case (see drawing 654625). On TB6, Figure 2-5, connect cable leads to terminals 1 (HOT/L1), 2 (NEUT/L2), and 3 (GND).

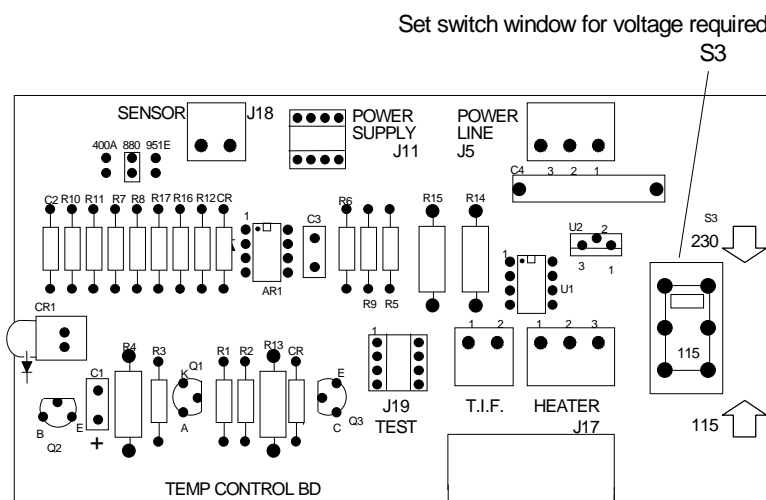


FIGURE 2-9. CASE HEATER TEMPERATURE CONTROL BOARD

NOTES

3 INITIAL STARTUP

3.1 ANALYZER CONTROLS AND ADJUSTMENTS

Normal operation of the analyzer involves adjustments of only the front-panel controls: ZERO and SPAN, and RANGE Switch, if provided. See Figure 1-1.

The various internal adjustments are factory set and normally do not require readjustment except after replacement of a circuit board or major component. Refer to Section 6, Service and Maintenance.

3.2 GAS SELECTOR PANEL CONTROLS

The controls provided on the optional gas selector panel will depend on the application. For use of sealed-in reference gas, refer to Figures 2-1 and 2-3. For flowing reference gas, refer to figures 2-2 and 2-4.

3.3 STARTUP PROCEDURE



WARNING: POSSIBLE EXPLOSION HAZARD

If explosive gases are introduced into this analyzer, the sample containment system must be carefully leak-checked upon installation and before initial startup, during routine maintenance and any time the integrity of the sample containment system is broken, to ensure the system is in leak-proof condition. Leak-check instructions are provided in Section 2.2.3.

Internal leaks resulting from failure to observe these precautions could result in an explosion causing death, personal injury or property damage.

Note:

Never apply power to analyzer without gas flowing. The filaments in the cell tend to deteriorate faster than normal.

Note:

Before supplying electrical power to the analyzer, disconnect the red lead from the bridge to TB1-1 or TB1-2 on the Master Board (depending on detector bridge polarity). This action disconnects power to the bridge. To safeguard against filament damage, this lead should remain disconnected until proper gas flow has been established. Refer to drawing 654642.

After performing a leak check, start up the analyzer as follows:

1. Remove the connector from J2 on the Master Board (Figure 2-6). Verify that this line goes to TB6, located at the lower left of the instrument (see Figure 1-2). If it does not, make corrections using drawing 654642 as a reference.
2. Set regulators on the gas cylinders for a supply pressure of 10 to 50 psig (69 to 345 kPa).
3. Provide a sample flow of 50 to 350 cc/minute through the analyzer. A rate of 250 cc/minute is recommended unless faster flow is desired to reduce sample transport time.
4. If the thermal conductivity cell uses flowing reference gas, provide a reference flow of 5 to 50 cc/minute.
5. Refer to drawing 654642 and Figure 2-6. Connect the cable from TB6 to J2 on the Master Board to provide AC power to the Master Board. Reconnect the red lead of TB1 (or TB2) to provide power to the detector. Apply power to the analyzer. The filaments will now begin to heat. Verify proper flow of sample gas and flowing reference gas, if used.
6. Allow the analyzer to warm-up for a minimum of six hours to ensure temperature equilibrium.

Note:

If ambient temperature is below 60°F (15.6°C), or if the temperature will go below 60°F (15.6°C) within the next six hours, allow a minimum of 12 hours for the instrument to stabilize.

Startup is now complete; the analyzer is ready for calibration per Section 3.4.

3.4 CALIBRATION

1. Set downscale calibration point as follows:
 - a. On the analyzer, set front-panel SPAN control to midscale (five turns). If the analyzer has front-panel RANGE Switch, set it at Range 1, the highest sensitivity range.
 - b. Admit downscale calibration gas to the analyzer at the same flow rate as is used for sample gas. Wait for the reading on the meter or recorder to stabilize.
 - c. On the analyzer, adjust the front panel ZERO control so that the reading on the front panel meter or recorder is appropriate to the downscale calibration gas.
 - d. If a proper reading is unobtainable by adjustment of the ZERO control, refer to Section 6.2.2.
2. Set upscale calibration point as follows:
 - a. If the analyzer has a front panel RANGE switch, set it for the desired range.
 - b. Admit upscale calibration gas to the analyzer at the same flow rate as is used for sample gas. Wait for the reading on the meter or recorder to stabilize.
 - c. On the analyzer, adjust the front panel SPAN control so that the reading on the front panel meter or recorder is appropriate to the upscale calibration gas.

If a proper reading is unobtainable by adjustment of the SPAN control, refer to Section 6, Service and Maintenance.

After the downscale and upscale calibration points have been established, the analyzer is ready for routine operation per Section 4.

If the analyzer has Suppressed-Zero Ranges and does not calibrate properly, refer to Section 6.3 for Suppressed Zero Adjustment.

NOTES

4 OPERATION

4.1 ROUTINE OPERATION

First, complete startup per Section Three. If the analyzer has more than one range, turn front panel RANGE Switch to desired position. Admit sample gas at the previously selected flow rate. The analyzer will continuously indicate the concentration of the measured component in the sample stream.

A calibration curve can be used to convert meter or recorder readings to concentration values. Typical calibration curves are supplied for standard ranges. Calibration curves for special ranges are available as options.

To avoid use of a calibration curve in an application where it would otherwise be required, the analyzer may be equipped with an optional linearizer board. If so, the linearizer board is factory set for a given range only, and is not usable on another range. Note that a linearizer is usable only if nonlinearity at midscale does not exceed 20% of fullscale.

4.2 RECOMMENDED CALIBRATION FREQUENCY

Provided that the instrument remains in continuous operation with power on, it is necessary only to calibrate once a week, by the procedure of Section 3.4.

To restart the analyzer after power turn-off, repeat the startup procedure of Section 3.3 and calibrate per Section 3.4.

4.3 SHUTDOWN

Before turning off sample gas, and flowing reference gas, if used, disconnect power from the analyzer. This precaution minimizes the risk of filament damage.

NOTES

5.1 THERMAL CONDUCTIVITY CELL AND ASSOCIATED BRIDGE ADJUSTMENTS

Within the thermal conductivity cell are four resistive filaments suspended in individual cavities of a metal block (Figure 5-1A) and connected electrically as legs of a Wheatstone bridge (Figure 5-1B). Although physically the cell block is one piece, functionally it may be considered to have two sides as shown in Figure 5-1B:

SAMPLE SIDE

Two filaments that constitute opposite legs of the bridge are positioned in a passage that receives a continuous flow of the sample gas.

REFERENCE SIDE

The remaining two filaments are positioned in a passage filled with the reference gas. Depending on the application, the reference gas may flow continuously through the passage, or it may be sealed within the cell.

The Bridge Voltage Power Supply (PN 613560) is connected, via a 20-ohm dropping resistor, to the bridge (See section 5.2.4). The power supply output is adjusted to provide an appropriate voltage across bridge terminals 1(+) and 2(-). An electric current flows through the filaments, heating them and thus increasing their electrical resistance. The heat-dissipation rate for each filament depends on the thermal conductivity of the surrounding gas. Initially, with downscale calibration gas flowing through the sample and reference sides of the flow-through configuration, R26 is set for zero bridge-output signal. During subsequent analysis of the sample stream, any change in the relative proportions of the components passing through the sample side changes the thermal conductivity of the gas mixture, causing a temperature differential between sample and reference filaments. The resultant change in filament resistance unbalances the bridge.

The bridge-imbalance signal is routed to the Master Board (PN 654620), where it is processed to drive the front-panel meter and recording device, if used (see Section 5.2.1).

Periodically, downscale calibration gas is passed through the cell, and the front panel ZERO Pot is adjusted for an appropriate reading on the meter or recorder.

5.2 ELECTRONIC CIRCUITRY

Electronic circuitry of the Model 7D is shown in the schematic diagram of drawing 654616. Internal circuitry of plug-in boards and other electronic assemblies is shown in separate schematic diagrams, found at the end of this manual, and is described in the following sections.

5.2.1 MASTER BOARD

The Master Board (PN 654620), Figure 2-6, provides two stages of amplification utilizing integrated-circuit amplifiers AR1 and AR2.

FUNCTIONS ASSOCIATED WITH AR1

AR1

Gain Adjust Potentiometer R4. This screwdriver-adjustable, factory-set trimming potentiometer determines feedback resistance for AR1 and thus permits adjustment of AR1 gain from X1 to X100. This adjustment sets the sensitivity for Range 1, i.e., the highest-sensitivity range.

RANGE PROVISIONS

In the basic single-range Model 7D, a jumper is connected from TB3-1 to TB3-4, thus routing the unattenuated output from AR1 directly to the non-inverting input of AR2. During factory assembly of a dual-range or triple-range instrument, the jumper is omitted and a front panel RANGE Switch is connected as shown below. The output from AR1 is then routed to AR2 through a network that provides adjustable attenuation for ranges 2 and 3.

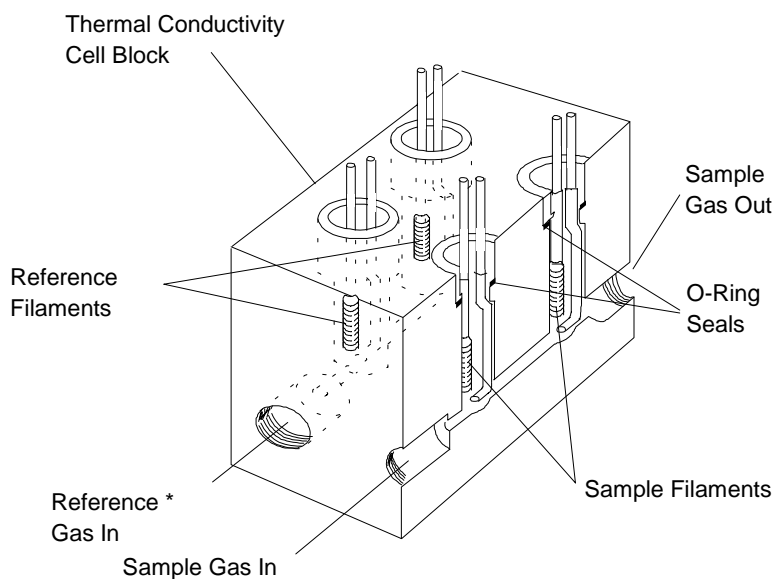
RANGE	AR1 OUTPUT ATTENUATION	RANGE SWITCH POSITION	TB3 POSITION
1	X1, fixed	1	1
2	adjustable by R7	2	2
3	adjustable by R9	3	3
		wiper	4

TABLE 5-1. RANGE SWITCH CONNECTIONS

COARSE ZERO AND ZERO-SUPPRESSION

Pots R26, R6 or R8, depending upon range number, provide the zero correction at the non-inverting input of AR1.

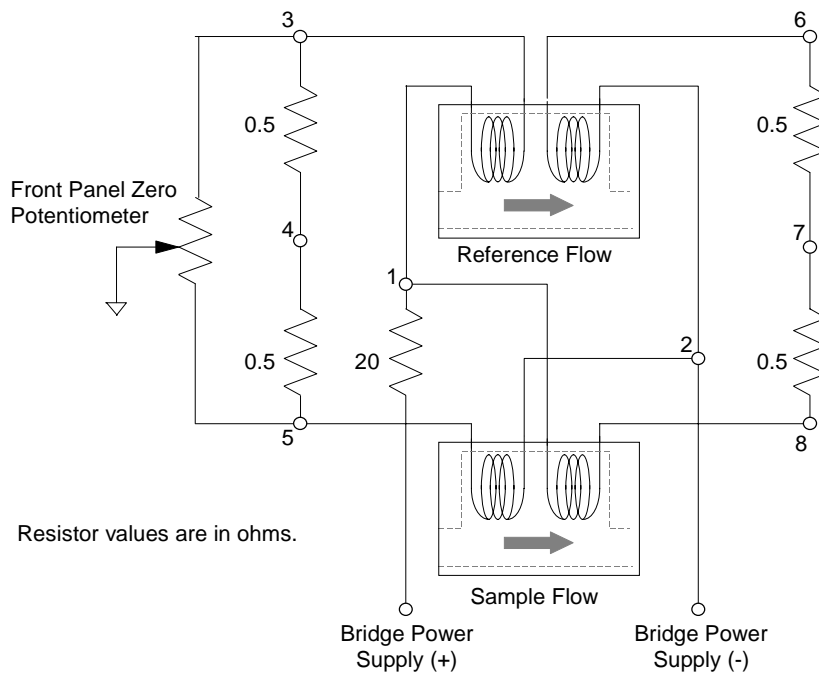
A. SECTIONAL VIEW OF THERMAL CONDUCTIVITY CELL



* Reference Ports Capped if Cell Uses Sealed-In, Non-Flowing Reference Gas.

NOTE: Cell Block Sectioned Through Sample Side. Section Through Reference side is Similar.

B. FUNCTIONAL DIAGRAM OF BRIDGE CIRCUIT



Resistor values are in ohms.

FIGURE 5-1. THERMAL CONDUCTIVITY CELL

FUNCTIONS ASSOCIATED WITH AR2

AR2 ZERO ADJUSTMENT POTENTIOMETER R1

This screwdriver-adjustable, factory-set trimming potentiometer is used to eliminate voltage offset within AR2. When the input signal is zero, R15 is adjusted so that the output signal also is zero.

FRONT-PANEL SPAN CONTROL

This potentiometer, connected across TB3-5 and TB3-6, provides continuously variable adjustment of closed-loop gain for AR2, to permit establishing an upscale calibration point on the meter scale or recorder chart. With upscale calibration gas flowing through the analyzer, the SPAN Control is adjusted for the appropriate reading.

FRONT-PANEL METER

The meter is connected from TB3-7 to TB3-8. Potentiometer R22 permits adjusting meter sensitivity so that meter fullscale agrees with recorder fullscale.

OUTPUT SELECTION SWITCH S1

The desired output is obtained by appropriate selection of switch contacts: 5V, 1V, .1V, or .01V.

5.2.2 VOLTAGE OUTPUT LINEARIZER BOARD (OPTIONAL)

The output signal from the Master Board is a function of the degree of imbalance in the bridge circuit, but is not linear with respect to the concentration of the measured component. Providing that the nonlinearity of the calibration curve does not exceed 20% at midscale (for 50 % H₂ max.), the Voltage Output Linearizer Board (PN 633756) may be used to equip a given operating range for linear readout of concentration on the meter and on a potentiometric recorder.

Straightening of the concentration-vs.-output curve is accomplished by sequential adjustment of eight odd-numbered trimming potentiometers designated R19 through R33. Each pot controls the gain of an associated operational amplifier.

During factory checkout of a linearizer circuit board, potentiometers R19 through R33 are initially set at midrange. With zero input signal applied to the linearizer circuit, ZERO potentiometer R35 is adjusted for zero output. Then an appropriate low-level signal is applied to the input, and R19 is adjusted for fullscale output. The procedure is repeated as many times as required to obtain properly linearized output.

5.2.3 ISOLATED 4 TO 20 MA CURRENT OUTPUT BOARD (OPTIONAL)

This option provides isolated current output for applications which require 4 to 20 mA into a maximum load of 1500 ohms. This output is *NOT* linearized. A description of

the board and the functions of its main components follows. Refer to schematic 652813 at the rear of this manual.

The purpose of the Isolated Current-Output Board (PN 625816) is to convert an input signal of 0 to -5 V to an isolated output signal of 4 to 20 mA. With a zero voltage at the input, R6 is adjusted so that the output at AR1 is 1 V. The gain of AR1 is .8 so that an input of 0 to -5 V is converted to 1 to 5 V. This voltage is fed to a variable output level-inverter consisting of AR2, Q1, Q2, and T1. T1 has two identical output windings, each with a rectified DC output. One is used to provide feedback to the inverter input of AR2. The other is used as an isolated output to drive AR3 and Q3 with a 1 to 5 V signal across R16. Trim-pot R17 is adjusted to provide a span of 4 to 20 mA. This current is presented to the collector of Q3 and is capable of driving loads of up to 1500 ohms.

5.2.4 BRIDGE POWER SUPPLY

The regulated, adjustable voltage required for the thermal conductivity bridge (Section 5.1) is provided by the Bridge Power Supply (PN 613560). It consists of a power transformer, fullwave rectifiers CR1 and CR2, voltage regulator Q1, and an RC filter network. Bridge voltage, as measured between bridge terminals 1(+) and 2(-), is adjustable from 5 to 13 VDC via R2. Proper setting depends primarily on filament material: 3 to 4 VDC for tungsten; 5 to 12 VDC for Hitempco. Bridge voltage is factory-set as required for the application (see Data Sheet) and normally does not require readjustment unless the power supply is replaced.

5.2.5 ± 15 VOLT POWER SUPPLY

The ± 15 Volt Power Supply (PN 619714) plugged into J101 of the Master Board, provides power for the various circuits. As shown in drawing 619710, power transformer T1 has three secondary that are used as follows:

38 VAC CENTER-TAPPED SECONDARY

Powers both 15 volt supplies through diode bridge CR1 and filter capacitors C1 and C4.

The adjustable positive regulator, VR1, is set by voltage divider R1, R2 and R3 and its output is applied to pin A of the circuit board and to test point TP1. Potentiometer R2 should be adjusted to +15.5 VDC ± 50 mVDC.

The negative DC, regulated by VR2 is applied to pin D of the circuit board.

The center tap is the common reference for both the +15 and -15 volt supplies and is applied to pin R of the circuit board and to test point TP2.

Both outputs are used for individual amplifiers on the various circuit boards.

90-VOLT CENTER-TAPPED SECONDARY

Drives a rectifier circuit on the optional Current Output Board (PN 652816). The

transformer winding and the associated circuit constitute a floating power supply for the emitter-follower stage. Refer to Section 5.2.3.

9.5 VAC SECONDARY

Drives a +5 VDC supply not used in this instrument.

5.2.6 DETECTOR BLOCKS

There are two types of detector configurations; flowing reference and sealed nitrogen reference. The sealed reference with nitrogen can be recharged by flowing nitrogen through the reference and closing the plugs. Three filament types are available: tungsten, Hitempco, and gold-sheathed tungsten.

5.2.7 CASE TEMPERATURE CONTROLLER ASSEMBLY

The case Temperature Controller Assembly (PN 652270) maintains an approximate 117°F (47°C) temperature within the instrument.

Changes in case temperature affect the resistance of the sensor connected to J18. This in turn changes the bias of amplifier AR1, which controls the input to the case heater via switch U2. The heater receives power through pins 3, 4 and/or 5, depending on the voltage selected at switch S3. A thermal fuse at J5 prevents the case from overheating.

5.2.8 DUAL ALARMS (OPTION)

Instruments with optional Dual Alarms have two pots on the front door which are used to select setpoints. The scales on the nameplate designate setpoints from 0 to 100%.

The alarm module is shown in Figure 7-2, and the factory connections are shown in drawing 654642. The module plugs into a socket, which is part of a terminal block mounted onto the chassis of the instrument. A marker on the alarm module indicates the function of each socket pin.

This unit is factory configured and requires no user adjustment. Pins for AC power (1, 2, and 3), alarm setpoint control (8, 10, 18, and 19), and signal from analyzer circuitry (7 and 9) are wired at the factory.

Connections of the remaining pins depend upon the application. The relays are rated at 1.0 A, 120 VAC and 5.0 A, 120 VDC, form C, resistive loads.

SERVICE AND MAINTENANCE

6



WARNING: POSSIBLE EXPLOSION HAZARD

If explosive gases are introduced into this analyzer, the sample containment system must be carefully leak-checked upon installation and before initial startup, during routine maintenance and any time the integrity of the sample containment system is broken, to ensure the system is in leak-proof condition. Leak-check instructions are provided in Section 2.2.3.

Internal leaks resulting from failure to observe these precautions could result in an explosion causing death, personal injury or property damage.

In troubleshooting, the basic approach is to isolate the analyzer from the sample and the sample-handling system.

First admit downscale and upscale standard gases to analyzer and note response:

1. If performance is normal with standard gases, although not with sample gas, the sample and the sample-handling system are suspect. Check these areas.
2. If analyzer gives offscale or erratic readings with standard gases, as well as with sample gas, the problem might be the filaments or the electronic circuitry. To isolate the malfunction, substitute fixed precision resistors of appropriate value for the filaments. Hitempco filaments (P/N 25499) have a cold resistance of 72 ohms. Tungsten filaments (P/N 811993) have a cold resistance of 18 ohms. Filament connections are shown in drawing 654616. With appropriate resistors substituted for the filaments, attempt to balance the bridge as follows:
 - a. If bridge balance is obtained with the fixed resistors, the filaments are probably defective and should be replaced.
 - b. If bridge balance is unobtainable with the fixed resistors, the problem might be the electronic circuitry. Substitute each circuit board, in turn, until proper operation is obtained.

6.1 THERMAL CONDUCTIVITY CELL

The thermal conductivity cell and associated elements of the bridge are mounted inside the analyzer case, within a thermally-insulated compartment.

Depending on the bridge current level, the filaments gradually become mismatched, and eventually burn out. Normal progression of symptoms is baseline drift. Sealed reference cells must be serviced by the factory.

If the cell uses flowing reference gas, the filaments may be replaced by the user. Refer to Figure 5-1 and the parts list in Section 7.

Filaments are sold as matched sets. If one must be replaced, its mate also must be replaced. Electrically, the filaments are mated across the diagonals of the cell. Refer to Figure 5-1B. The filament across points 3 and 1 corresponds to the filament across 8 and 1, and the filament across points 6 and 2 corresponds to the filament across 5 and 2.

6.2 ELECTRONIC CIRCUITRY

6.2.1 AMPLIFIER ZERO ADJUSTMENTS

The zero adjustments on the Master Board are factory set and normally do not require readjustment except after replacement of a major component. If readjustment becomes necessary, use following procedure:

AR2 ZERO ADJUSTMENT:

1. Open the input to AR2. In a single-range instrument, this is done by disconnecting the jumper from TB3-1 to TB3-4.
2. Ground the input of AR2 by connecting a jumper from TB3-4 to TP1 (GND).
3. Adjust R15, Figure 5-2, for 0 VDC output signal at TB4-2.
4. Restore connections to normal.

6.2.2 BRIDGE BALANCE AND RANGE SENSITIVITY ADJUSTMENTS

Perform start-up procedure in Section 3.3, then proceed as follows:

1. On the analyzer module, set the front panel ZERO and SPAN potentiometers to their midpoints (five turns). If the analyzer has a front panel RANGE Switch, set it to Range 1, the highest-sensitivity range.
2. Admit downscale calibration gas to the analyzer at the same flow rate as is used for the sample gas. Wait for the reading on the meter or recorder to stabilize.

3. Refer to Figure 2-6 and set the Balance Adjustment on the Master Board, (range 1 or single range R8, range 2 R6, range 3 R26) so that the reading on the meter or recorder is zero or an offset value. Refer to Data Sheet.

SENSITIVITY ADJUSTMENT(S) ARE:

1. Admit upscale calibration gas to the analyzer at the same flow rate as is used for the sample gas. Wait for reading on meter or recorder to stabilize.
2. On the Master Board, set AR2 Gain Adjustment R4 so that reading on the recorder, if used, or on the front-panel meter is appropriate to the upscale calibration gas. Refer to data sheet or calibration curve. Range 1 sensitivity is now properly adjusted.
3. If analyzer has more than one range, set the front panel RANGE Switch for Range 2. This is the reduced sensitivity range. Then, on the Master Board, set Range 2 Attenuation Adjustment R7 so that the reading on the recorder, if used, or on the front panel meter is appropriate to the upscale calibration gas.
4. If the analyzer has three ranges, set the front panel RANGE Switch for Range 3. This is the least sensitive range. Then, on the Master Board, set Range 3 Attenuation Adjustment R9 so that the reading on the recorder, if used, or on the front panel meter is appropriate to the upscale calibration gas.
5. If previous readings were obtained on a recorder, set the Meter 100% Adjustment R22 so that the meter fullscale matches the recorder fullscale. If the analyzer has more than one range, this adjustment should be made on Range 1.

6.2.3 BRIDGE VOLTAGE ADJUSTMENT

Bridge voltage is factory set as required for the application (see Data Sheet) and normally does not require readjustment unless the bridge power supply is replaced. Bridge voltage is measured between terminals 1(-) and 2(+), and is adjustable via R2, DWG 613561, on the bridge power supply.

6.2.4 CASE TEMPERATURE CONTROLLER

Refer to Figure 7-3. Malfunction in this option can occur in three areas:

HEATER

Check continuity with ohmmeter. Verify that resistance is approximately 113 ohms at 25°C.

TEMPERATURE SENSOR

This is an RTD and should have approximately 550 ohms at 25°C. Check for continuity with ohmmeter.

THERMAL FUSE

The fuse opens at temperatures above 72°C. Check continuity with ohmmeter.

6.2.5 DUAL ALARM MODULE (OPTIONAL)

This module is not user-serviceable. If problems occur, contact Rosemount Analytical service.

The module has Zero and Span potentiometers that set the 0 to 5 V input. To check these, adjust the analyzer for zero gas, set the Low Alarm (ALARM 1 on the front panel) set point to 0 %, and turn the Deadband counterclockwise. Adjust the Zero pot to trigger the alarm. Do the same for High Alarm (ALARM 2 on the front panel). The alarm span should agree with the analyzer meter span. Readjust the deadbands to the desired level. (See Figures 2-7, 2-8.)

6.3 SUPPRESSED ZERO ADJUSTMENT

If the instrument has suppressed-zero ranges and does not calibrate properly, adjust the potentiometers located on the Master Board (see Figure 2-6). Follow the startup procedure in Section 3.3. After the analyzer has stabilized, use appropriate calibration gases to make the following adjustments. Refer to Section 2.2.2 for information on selecting appropriate gases.

Note

For instruments with more than one range, RANGE 1 is the most sensitive range; it must be set for the highest gain. This range should be used for the smallest span. Always start procedure with RANGE 1 (i.e., RANGE 1 ... 95 to 100%, RANGE 2 ... 90 to 100%, RANGE 3 ... 60 to 80%).

1. Set the front panel ZERO and SPAN pots to their midpoints (five turns).
2. If the instrument has a Range Switch, set it to RANGE 1.
3. Connect a digital voltmeter between TB3-1 and TP1 (polarity does not matter).
4. Flow upscale calibration gas through the sample inlet of the analyzer. Adjust R8 until the reading on the voltmeter is zero. The front panel meter should also read zero.
5. Flow downscale calibration gas through the sample inlet of the instrument. Adjust R4 until the front panel meter reads 100 % (fullscale).
6. Repeat steps 4 and 5 above until no adjustment is required.

If the analyzer has more than one range, repeat steps 2 through 6 with the following alterations:

RANGE 2

Set the Range Switch to RANGE 2. In step 4, adjust R6, and in step 5, adjust R7.

RANGE 3

Set the Range Switch to RANGE 3. In step 4, adjust R26, and in step 5, adjust R9.

NOTES

7 REPLACEMENT PARTS

The following parts are recommended for routine maintenance and troubleshooting of the Model 7D. If the troubleshooting procedures do not resolve the problem, contact your local Rosemount Analytical service office. A listing of Rosemount Analytical Service Centers is located in the back of this manual.

Figures 7-1, 7-2, and 7-3 show locations of components and assemblies.

7.1 CIRCUIT BOARD REPLACEMENT POLICY

In most situations involving a malfunction of a circuit board, it is more practical to replace the board than to attempt isolation and replacement of the individual component, as the cost of test and replacement will exceed the cost of a rebuilt assembly. As standard policy, rebuilt boards are available on an exchange basis.

Because of the exchange policy covering circuit boards, the following list does not include individual electronic components. If circumstances necessitate replacement of an individual component, which can be identified by inspection or from the schematic diagrams, obtain the replacement component from a local source of supply.

7.2 REPLACEMENT PARTS

7.2.1 SELECTED REPLACEMENT PARTS

652270 ^{1,2}	Temperature Control Assembly	Section 7.2.2
654648 ^{1,2}	Alarm Kit	Section 7.2.3
654892 ^{1,2}	Range Switch Kit	Section 7.2.4
613560	Bridge Power Supply	Figure 7-2
619714	±15V Power Supply	Figure 7-2
654632 ¹	Detector Assembly w/Filaments - Flowing Ref (Gold Sheathed Tungsten)	Figure 5-1
654630 ¹	Detector Assembly w/Filaments - Flowing Ref (Hytempco)	Figure 5-1
654628 ¹	Detector Assembly w/Filaments -	Figure 5-1

¹ Parts are selected or are optional depending on instrument application. Refer to Application Data Sheet and ordering information to determine which parts are applicable to your instrument.

² Refer to section listed for replacement parts of assembly.

	Flowing Ref (Tungsten)	
654627 ^{1,3}	Detector Assembly w/Filaments - Sealed Ref (Tungsten)	
654631 ^{1,3}	Detector Assembly w/Filaments - Sealed Ref Nitrogen (Gold Sheathed Tungsten)	
654629 ^{1,3}	Detector Assembly w/Filaments - Sealed Ref Nitrogen (Hytempco)	
902444 [†]	Filaments (Gold Sheathed Tungsten)	Figure 5-1
902443 [†]	Filaments (Hytempco)	Figure 5-1
902442 [†]	Filaments (Tungsten)	Figure 5-1
638426	Flame Arrestor	Figure 7-1
801566 [†]	Fuse 1.5A (230VAC)	Figure 7-2
000516 [†]	Fuse 3A (115VAC)	Figure 7-2
652816 [†]	Isolated Current Output Board	Figure 7-2
616443 [†]	Linearizer Kit (Factory Installed option. Consult factory.)	Figure 7-2
654620	Master Board	Figure 7-2
193311	Meter	Figure 7-1
898672	SPAN Potentiometer	Figure 7-1
901917	ZERO Potentiometer	Figure 7-1

7.2.2 TEMPERATURE CONTROL ASSEMBLY

Refer to Figure 7-3.

622733	Fan
622732	Heater
624006	Temperature Control Board
622917	Temperature Sensor
624433	Thermal Fuse

7.2.3 ALARM OPTION

Refer to Figures 7-1 and 7-2.

901916	Socket, 20 Pin
901913	Dual Alarm Module
901918	Variable Resistor 1K ohm

7.2.4 RANGE SWITCH KIT

Refer to Figures 7-1 and 7-2.

633899	Switch
--------	--------

³ Sealed reference cells must be serviced at factory.

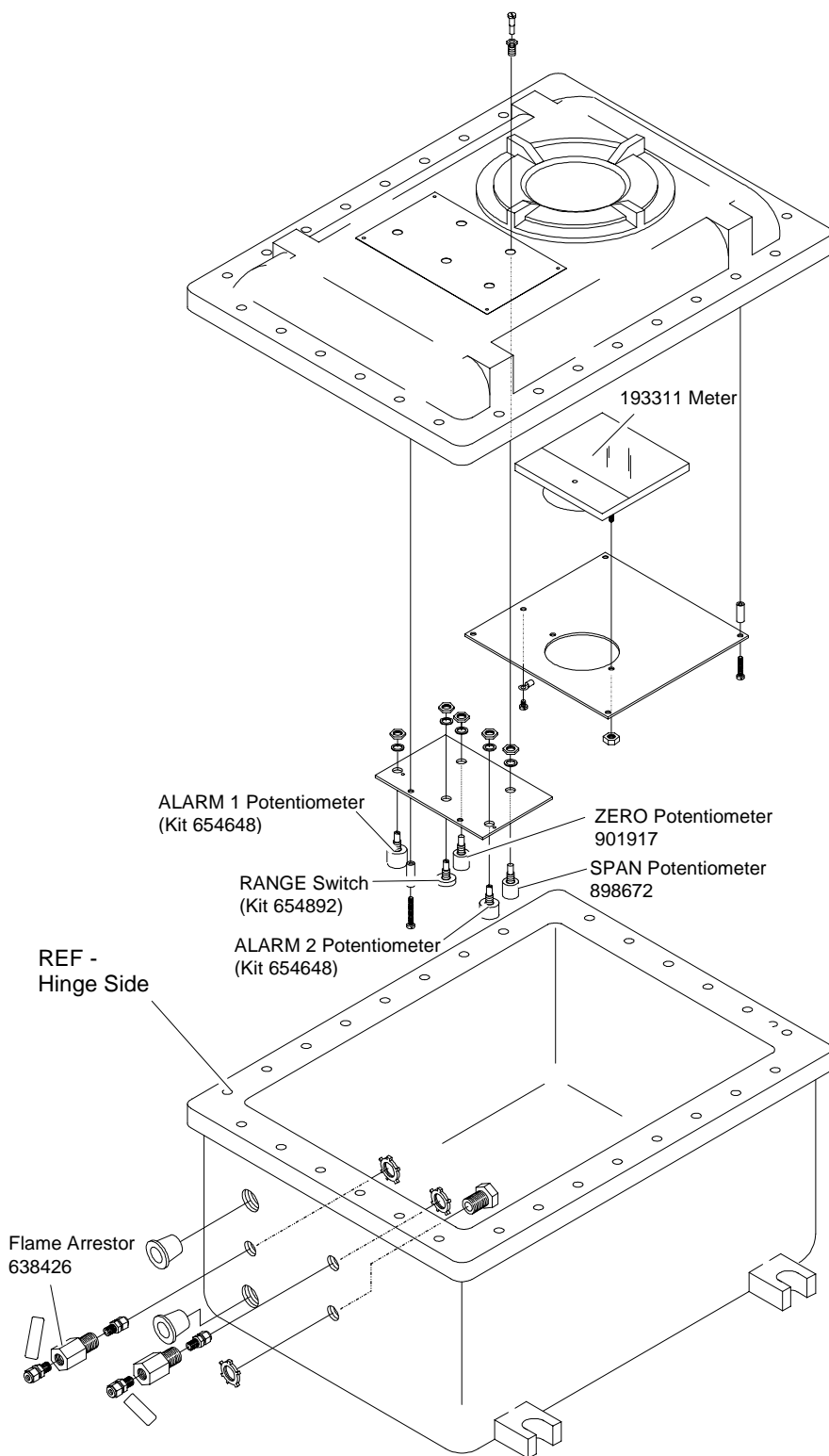


FIGURE 7-1. ANALYZER ASSEMBLY - DOOR AND PNEUMATIC COMPONENTS

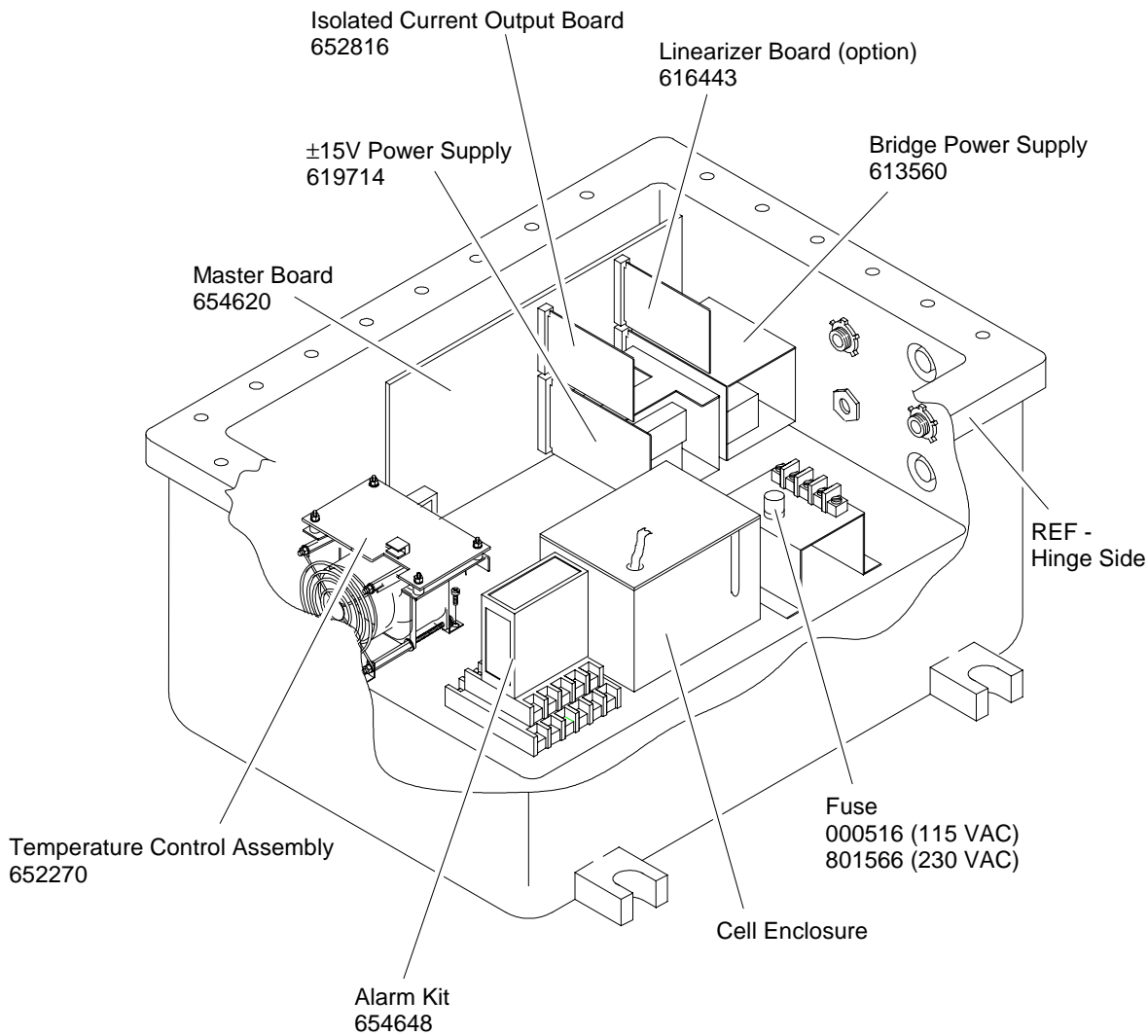


FIGURE 7-2. ANALYZER ASSEMBLY - ELECTRONIC COMPONENTS

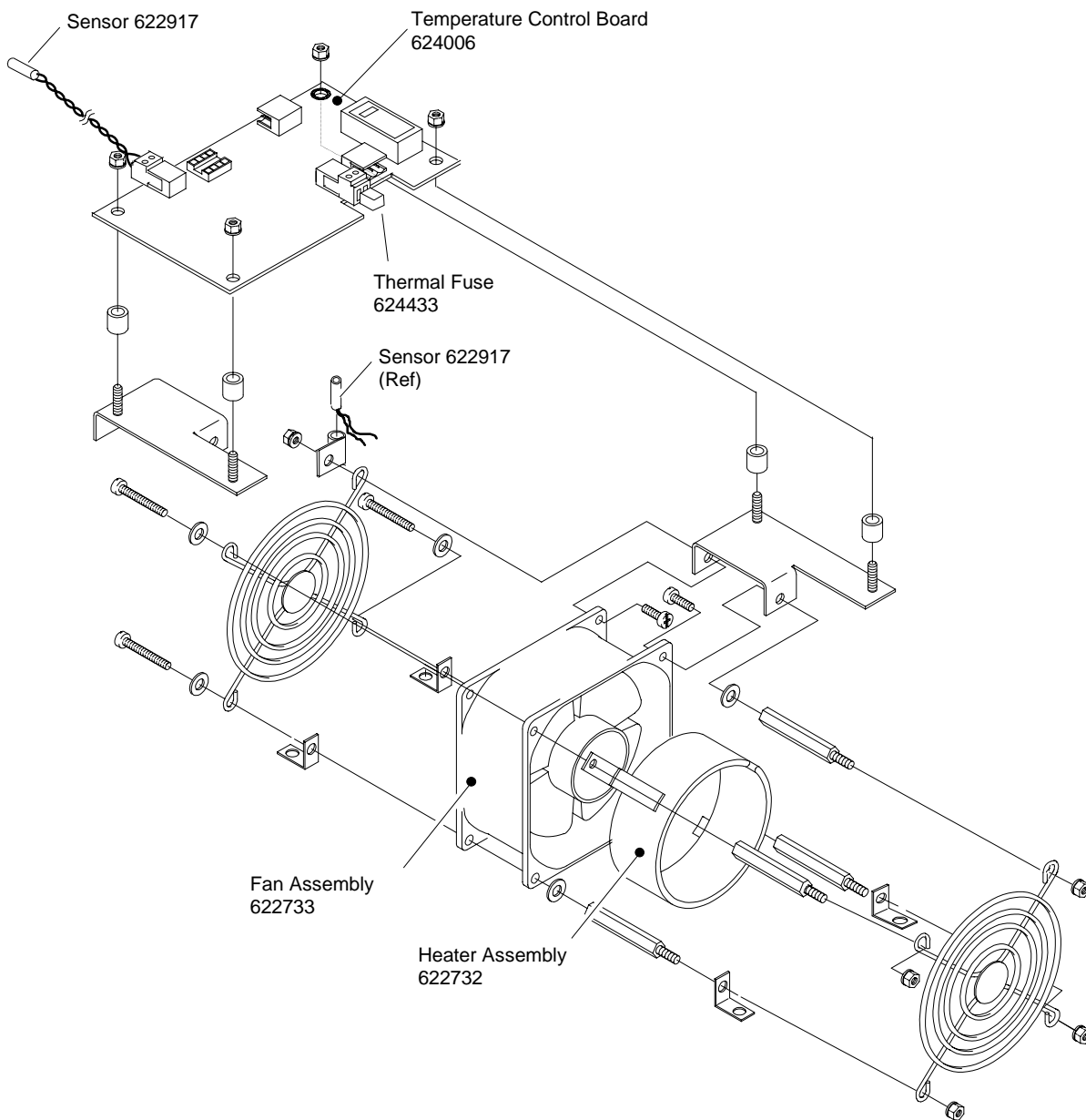


FIGURE 7-3. TEMPERATURE CONTROL ASSEMBLY

NOTES