

Instruction Sheet

PN 51A-RETR/rev.A

February 2004

Retractable Mounting Assembly

SPECIFICATIONS

Wetted Parts: Stainless Steel (type AISI-ASTM 316 Ti; B.S. 320 S17) and Viton¹

Maximum Temperature: 130°C (266°F)

Maximum Pressure: 43 psig (400 kPa, 4 bar)

¹ Viton is a registered trademark of E.I. du Pont de Nemours & Co.

NOTE

The Retractable Mounting Assembly should not be auto-claved until the cable protection cap and cap nut have been removed.


INSTALLATION

Mounting the Sensor Into the Retractable Mounting Assembly: The Retractable Mounting Assembly is designed for use with Model Hx338-02, Model Hx438-02, or any sensor with a 12-mm diameter shaft, 210 mm to 225 mm length, and a PG 13.5 process thread.



To install the sensor into the Retractable Mounting Assembly:

1. Turn the threaded cap nut clockwise until the cable protection cap can be removed.
2. Carefully screw the sensor into the Retractable Mounting Assembly. Do not touch the sensor tip.
3. Tighten the PG 13.5 sensor thread into the assembly.

CAUTION

 Contact with salt solutions and concentrated acids may cause wetted materials to corrode.

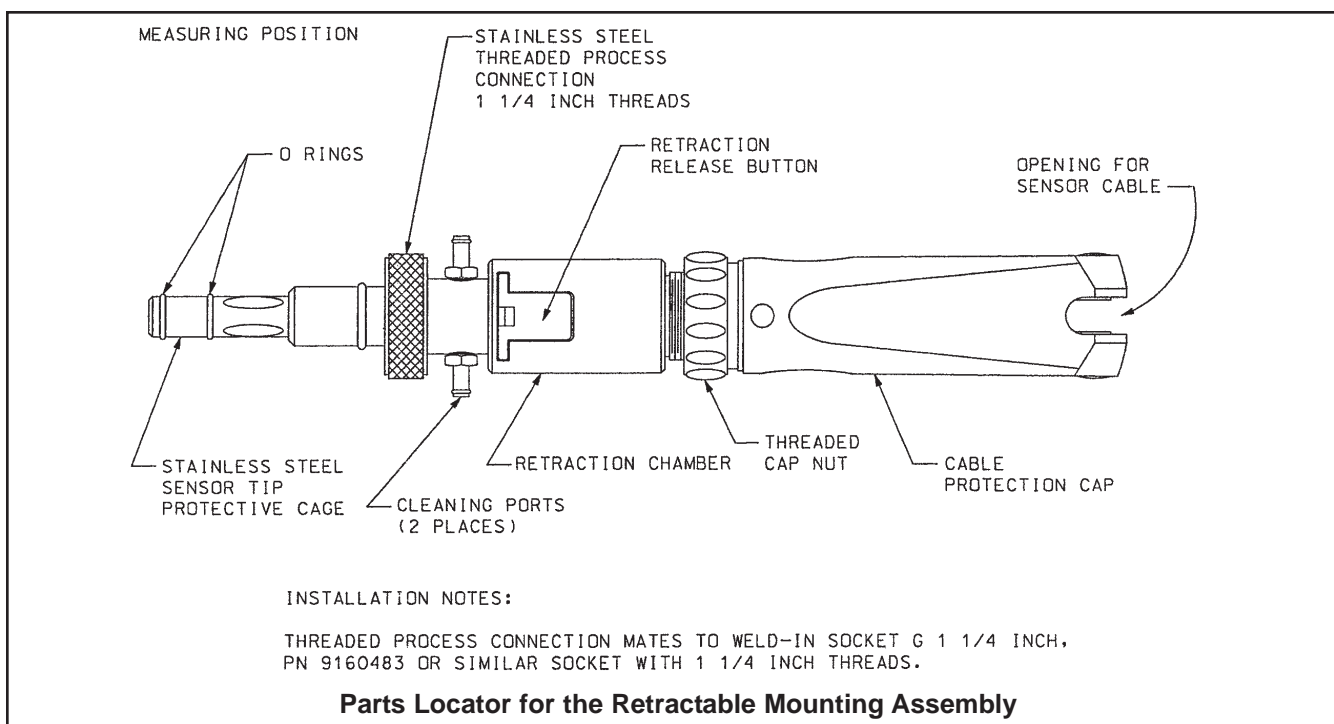
WARNING

 Be absolutely certain that the process pressure is reduced to 0 psig and the process temperature is lowered to a safe level before removing or replacing the mounting assembly or sensor. 

To install the cable:

1. Lead the sensor cable through the hinged opening of the cable cap.
2. Connect the cable to the sensor.
3. Mount the cable cap back onto the mounting assembly.
4. Close the cable cap and check the central positioning of the cable.
5. Turn the threaded cap nut counter-clockwise to attach the cable cap.

NOTE: The cable protection cap (PN's 9160479, 9160478, and 9160477) must be modified for use with the VP 6.0 cable. The aperture must be enlarged to 7 mm diameter to accommodate this cable.



MOUNTING THE MOUNTING ASSEMBLY INTO THE PROCESS: The Retractable Mounting Assembly mounts into the G 1-1/4 in. weld-in socket (PN 9160483 or similar). Make sure the weld-in socket is clean. Tighten the stainless steel process connection nut onto the weld-in socket.

INSERTING THE SENSOR INTO THE PROCESS: To place the sensor into the process, press the red button and move the extension of the Mounting Assembly until you hear it click. Check to make sure that the assembly is locked. If the assembly cannot be retracted without pressing the red button, then the unit is locked properly into the process. The Retractable Mounting Assembly will remain locked until the red button releases the assembly for retraction.

NOTE

Do not install the Retractable Mounting Assembly without the cable cap installed.

NOTE

The Retractable Mounting Assembly is equipped with a safety mechanism. When a sensor is not mounted in the assembly, the unit cannot be moved into the measuring position.

CLEANING AND MAINTENANCE

CLEANING AND CALIBRATING THE SENSOR IN A CONTINUOUS PROCESS

1. Press the red button and pull the Retractable Mounting Assembly out of the process until a click is heard. This will indicate that the safety lock has been engaged.
2. Attach a tube for water, cleaning agent, or a calibration buffer to flow through the electrode chamber via the cleaning ports. Make sure the rinsing tubes are not under pressure before inserting the electrode back into the process.

NOTE

The maximum pressure of the fluid flowing through the cleaning ports is 72 psig (600 kPa, 6 bar).

CLEANING WHEN DISMANTLED

Cleaning: The Retractable Mounting Assembly can be cleaned with general-purpose cleaning fluids. Never use scouring agents that contain hard particles.

Replacing the o-rings on the immersion tube: The Retraction Service Kit (PN 9160486) should be used when replacing the o-rings. There are 3 o-rings that can be replaced when the unit is out of the process:

1. Mount the electrode in the assembly and place unit into the measuring position.
2. Remove the cable protection cap
3. Unscrew both of the screws (use the hexagonal key provided in the service kit) on either side of the attention symbol (▲).
4. Grip the immersion tube and pull out until the third o-ring is visible.
5. Replace the 3 o-rings on the immersion tube.
6. Make sure that the stainless steel nut and the new o-rings are not damaged.
7. Push back the immersion tube as far as possible until the stop and tighten up both screws with the hexagonal key provided.

Replacing the outer o-rings: The large o-ring is used for a watertight seal between the unit and the weld-in socket. The smaller o-ring is used on the inner part of the immersion tube (for the sensor). Both of these o-rings need occasional replacement.

Safety Rods: Check the functioning of the safety rod by trying to insert or retract the Mounting Assembly when a sensor is not mounted in the assembly. If a sensor is not mounted, the safety rod should block the movement. If the unit inserts without a sensor mounted in the unit, replace the unit.



*The right people,
the right answers,
right now.*

ROSEMOUNT ANALYTICAL
CUSTOMER SUPPORT CENTER
1-800-854-8257



ON-LINE ORDERING NOW AVAILABLE ON OUR WEB SITE
<http://www.raihome.com>



Credit Cards for U.S. Purchases Only.



Emerson Process Management

Rosemount Analytical Inc.

2400 Barranca Parkway
Irvine, CA 92606 USA
Tel: (949) 757-8500
Fax: (949) 474-7250

<http://www.raihome.com>

