

Instruction Manual

PN 51-FCL-56 rev A

March 2012

FCL with 56 Analyzer



ESSENTIAL INSTRUCTIONS

READ THIS PAGE BEFORE PROCEEDING!

Your purchase from Rosemount Analytical, Inc. has resulted in one of the finest instruments available for your particular application. These instruments have been designed, and tested to meet many national and international standards. Experience indicates that its performance is directly related to the quality of the installation and knowledge of the user in operating and maintaining the instrument. To ensure their continued operation to the design specifications, personnel should read this manual thoroughly before proceeding with installation, commissioning, operation, and maintenance of this instrument. If this equipment is used in a manner not specified by the manufacturer, the protection provided by it against hazards may be impaired.

- Failure to follow the proper instructions may cause any one of the following situations to occur: Loss of life; personal injury; property damage; damage to this instrument; and warranty invalidation.
- Ensure that you have received the correct model and options from your purchase order. Verify that this manual covers your model and options. If not, call 1-800-854-8257 or 949-757-8500 to request correct manual.
- For clarification of instructions, contact your Rosemount representative.
- Follow all warnings, cautions, and instructions marked on and supplied with the product.
- Use only qualified personnel to install, operate, update, program and maintain the product.
- Educate your personnel in the proper installation, operation, and maintenance of the product.
- Install equipment as specified in the Installation section of this manual. Follow appropriate local and national codes. Only connect the product to electrical and pressure sources specified in this manual.
- Use only factory documented components for repair. Tampering or unauthorized substitution of parts and procedures can affect the performance and cause unsafe operation of your process.
- All equipment doors must be closed and protective covers must be in place unless qualified personnel are performing maintenance.
- If this equipment is used in a manner not specified by the manufacturer, the protection provided by it against hazards may be impaired.



WARNING

RISK OF ELECTRICAL SHOCK

- Equipment protected throughout by double insulation.
- Installation of cable connections and servicing of this product require access to shock hazard voltage levels.
- Main power and relay contacts wired to separate power source must be disconnected before servicing.
- Do not operate or energize instrument with case open!
- Signal wiring connected in this box must be rated at least 240 V.
- Non-metallic cable strain reliefs do not provide grounding between conduit connections! Use grounding type bushings and jumper wires.
- Unused cable conduit entries must be securely sealed by non-flammable closures to provide enclosure integrity in compliance with personal safety and environmental protection requirements. Unused conduit openings must be sealed with NEMA 4X or IP65 conduit plugs to maintain the ingress protection rating (NEMA 4X).
- Electrical installation must be in accordance with the National Electrical Code (ANSI/NFPA-70) and/or any other applicable national or local codes.
- Operate only with front and rear panels fastened and in place over terminal area.
- Safety and performance require that this instrument be connected and properly grounded through a three-wire power source.
- Proper relay use and configuration is the responsibility of the user.

CAUTION

This product generates, uses, and can radiate radio frequency energy and thus can cause radio communication interference. Improper installation, or operation, may increase such interference. As temporarily permitted by regulation, this unit has not been tested for compliance within the limits of Class A computing devices, pursuant to Subpart J of Part 15, of FCC Rules, which are designed to provide reasonable protection against such interference. Operation of this equipment in a residential area may cause interference, in which case the user at his own expense, will be required to take whatever measures may be required to correct the interference.

WARNING

This product is not intended for use in the light industrial, residential or commercial environments per the instrument's certification to EN50081-2.

Emerson Process Management

2400 Barranca Parkway
Irvine, CA 92606 USA
Tel: (949) 757-8500
Fax: (949) 474-7250

<http://www.rosemountanalytical.com>

© Rosemount Analytical Inc. 2012



QUICK START GUIDE

FOR FCL ANALYZER

1. Refer to Section 2.0 for installation instructions and Section 3.0 for wiring instructions.
2. Once connections are secure and verified, apply power to the analyzer.
3. When the analyzer is powered up for the first time Quick Start screens appear.
4. The first quick start screen has two control boxes, one for language and the other for temperature units.
 - a. The cursor, shown by dark blue backlighting, will be on the language control box. To change the language, press the ENTER/MENU key. A list of available languages, shown two at a time, will appear. Using the up and down keys, scroll (see section 4.2) to display the choices. Press ENTER/MENU to select the desired language. Press the down key to move the cursor to the temperature control box. To change units, press ENTER/MENU and scroll to either °F or °C. Press ENTER/MENU to store the selection.
 - b. To move to the next screen, use the navigation keys to move the cursor to NEXT and press ENTER/MENU.
5. The next screen lists navigation rules. Press ENTER/MENU for the next screen.
6. The next step is to configure sensor 1. Sensor 1 is the free chlorine sensor. The screen has three control boxes.
 - a. For measurement choose free chlorine. **Do not choose pH-independent free chlorine.**
 - b. Choose the desired units, mg/L or ppm
 - c. If you have an FCL-02 (with pH sensor), the third control box lets you choose between live/continuous or manual pH correction. If you choose live/continuous (recommended), the analyzer will use the pH measured by the pH sensor to correct the chlorine reading for pH changes. If you choose manual (not recommended), a fourth control box will appear to let you enter the manual pH, and the analyzer will use the entered value to correct the chlorine reading.
 - d. If you have an FCL-01 (no pH sensor), enter the pH of the process liquid in the third control box.
 - e. Move the cursor to NEXT and press ENTER/MENU. If you have an FCL-01, the display will change to show some basic keypad operation guidelines. Press ENTER/MENU to show the main display. If you have an FCL-02, go to step 7.
7. The next step is to configure sensor 2. Sensor 2 is the pH sensor. The screen has two control boxes.
 - a. For measurement choose pH.
 - b. For pre-amplifier location choose analyzer.
 - c. Move the cursor to NEXT and press ENTER/MENU. The display will change to show some basic keypad operation guidelines. Press ENTER/MENU to show the main display.
8. The outputs, alarms, display configuration, and data logging are all assigned to default values. The default value for data logging is disabled. To change the settings refer to Sections 4.5, 5.0, and 8.0.

About This Document

This manual contains instructions for installation and operation of the FCL-56

The following list provides notes concerning all revisions of this document.

<u>Rev. Level</u>	<u>Date</u>	<u>Notes</u>
	5/11	This is the initial release of the product manual. The manual has been reformatted to reflect the Emerson documentation style and updated to reflect any changes in the product offering.
A	03/12	Update addresses - mail and web

FCL-56

TABLE OF CONTENTS

Section	Title	Page
1.0	DESCRIPTION AND SPECIFICATIONS	1
1.1	Applications	1
1.2	Features	1
1.3	Specifications - General	2
1.4	Specifications - Sensor	2
1.5	Specifications - Analyzer	2
1.6	Ordering Information	3
2.0	INSTALLATION	5
2.1	Unpacking and Inspection	5
2.2	Installation	6
3.0	WIRING.....	9
3.1	Power, Alarm, and Output Wiring	9
3.2	Sensor Wiring	10
4.0	DISPLAY AND OPERATION	13
4.1	Display	13
4.2	Keypad	13
4.3	Operation	14
4.4	Hold.....	16
4.5	Main Display	17
4.6	Security	18
5.0	PROGRAMMING THE ANALYZER	19
5.1	Entering the Program Menus	19
5.2	Outputs	19
5.3	Relays	20
5.4	Measurement	22
5.5	Temperature	22
5.6	pH Diagnostic Setup	23
5.7	Configuring Security Settings.....	23
5.8	Restoring Default Settings	23
6.0	CALIBRATION	25
6.1	Introduction	25
6.2	Entering the Calibration Menus.....	25
6.3	Calibrating Temperature.....	25
6.4	Calibrating the Free Chlorine Sensor	26
6.5	Calibrating the pH Sensor	27
6.6	Calibrating the Analog Outputs	27
6.7	Reset.....	27

TABLE OF CONTENTS CONT'D

Section	Title	Page
7.0	DIGITAL COMMUNICATIONS	29
8.0	DATA AND EVENT LOGGING AND RETRIEVAL	31
8.1	Overview	31
8.2	Configuration.....	31
8.3	Downloading Data and Events.....	32
8.4	Viewing Events.....	32
8.5	Date and Time.....	32
9.0	GRAPHICAL DISPLAY	33
9.1	Overview	33
9.2	Configuration.....	33
10.0	MAINTENANCE	35
10.1	Analyzer	35
10.2	Chlorine Sensor	36
10.3	pH Sensor	37
10.4	Constant Head Flow Controller.....	38
11.0	TROUBLESHOOTING	41
11.1	Overview	41
11.2	Reading and Troubleshooting Fault and Warning Messages	41
11.3	Sensor Diagnostics	41
11.4	Troubleshooting Calibration Problems.....	42
11.5	Other Troubleshooting – Chlorine	42
11.6	Other Troubleshooting – pH.....	43
11.7	Other Troubleshooting – General.....	45
11.8	Simulating Inputs – Chlorine	45
11.9	Simulating Inputs – pH.....	46
11.10	Simulating Inputs – Temperature	47

LIST OF TABLES

Number	Title	Page
1.6	Ordering Information	3
1.6	Component Parts	3
1.6	Accessories	3
3.2	Sensor Wiring.....	10
4.1	Display Abbreviations	13
10.1	Analyzer	35
10.2	Spare Parts.....	37
10.3	Replacement Parts FCL-01	39
10.4	Replacement Parts FCL-02.....	40
11.5	Troubleshooting – Chlorine	42

LIST OF TABLES CONT'D

11.6	Other Troubleshooting – pH	43
11.7	Other Troubleshooting – General	45
11.9	Simulating Inputs – pH	46
11.10	Simulating Inputs Temperature.....	47

LIST OF FIGURES

Number	Title	Page
2-1	Model FCL-01	7
2-2	Model FCL-02	7
3-1	Analog Output Connections	9
3-2	Alarm Relay Connections.....	10
3-3	Wiring Diagram for Free Chlorine Sensor	11
3-4	Wiring Diagram for 399VP-09 pH Sensor	11
3-5	Wiring Diagram for 3900VP-10 pH sensor (gray cable)	11
3-6	Wiring Diagram for 3900VP-10 pH sensor (blue cable)	11
4-1	Main Display	13
4-2	Analyzer Keypad	13
5-1	Menu Tree for Outputs Sub Menu	19
5-2	Menu Tree for Relays Sub Menu	20
5-3	Menu Tree for Measurements Sub Menu.....	22
5-4	Menu Tree for Temperature Sub Menu	22
5-5	Menu Tree for pH Diagnostic Sub Menu	23
5-6	Menu Tree for Security Sub Menu.....	23
10-1	Chlorine Sensor Parts	37
10-2	Replacement Parts for the Flow Controller Assembly used in Model FCL-01.....	39
10-3	Replacement Parts for the Flow Controller Assembly used in Model FCL-02.....	40
11-1	Simulating Chlorine	45
11-2	Simulating pH Inputs	46
11-3	Three-Wire RTD Configuration.....	47
11-4	Simulating RTD Inputs.....	47

This page left blank intentionally

SECTION 1.0. DESCRIPTION AND SPECIFICATIONS

- COMPLETE SYSTEM INCLUDES sensor, connecting cable, analyzer, and flow controller
- CONTINUOUS pH CORRECTION eliminates expensive and messy reagents and troublesome sample conditioning systems
- MEASURES FREE CHLORINE IN SAMPLES having pH as high as 9.5¹
- VARIOPOL QUICK-DISCONNECT FITTINGS make replacing sensors easy
- FEATURE-PACKED ANALYZER: four outputs, four fully-programmable relays, data logger, and large full color display including graphics.

¹In some cases, the sensor can be used in samples having pH as great as 10.0. Consult the factory.

1.1 APPLICATIONS

The FCL free chlorine system is intended for the determination of free chlorine in fresh water. Unlike free chlorine analyzers from other manufacturers, the FCL does not use expensive sample conditioning systems or messy reagents to control pH. Instead, the analyzer automatically compensates for changes in the pH of the sample. The FCL is not intended for the determination of total chlorine or combined chlorine (like monochloramine). Nor, can the FCL be used for the determination of chlorine in seawater.

1.2 FEATURES

The FCL uses a membrane-covered amperometric sensor. A polarizing voltage applied to a platinum cathode behind the membrane reduces the chlorine diffusing through the membrane and keeps the concentration of chlorine in the sensor equal to zero. The current generated by the cathode reaction is proportional to the rate of diffusion of chlorine through the membrane. Because the concentration of chlorine in the sensor is zero, the diffusion rate and the current are proportional to the concentration of chlorine in the sample.

All amperometric free chlorine sensors respond to changes in pH. Although free chlorine is a mixture of hypochlorous acid and hypochlorite ion, hypochlorous acid alone is responsible for the sensor current. Because the relative amounts of hypochlorous acid and hypochlorite ion depend on pH, a pH change will cause the current and the apparent free chlorine concentration to change, even though the true concentration remained constant. Most manufacturers solve the pH-dependence problem by treating the sample with acid, which lowers the pH and converts

hypochlorite ion into hypochlorous acid. The FCL avoids the expense and inconvenience of sample conditioning by measuring the pH and applying a correction to the raw chlorine sensor signal. The correction is valid between pH 6.0 and 9.5. For samples having pH between 9.5 and 10.0, consult the factory.

The FCL is available in two options: Model FCL-01 with manual pH correction and Model FCL-02 with continuous pH correction. Choose the FCL-01 if the pH varies less than 0.2 or if pH changes are predictable or seasonal. Choose the FCL-02 if the pH varies more than 0.2. To provide the continuous pH correction, the Model FCL-02 requires a separate pH sensor.

Maintenance is fast and easy. Replacing a membrane requires no special tools or fixtures. A screw cap holds the pre-tensioned membrane in place. Replacing the electrolyte solution takes only minutes.

The FCL includes the easy-to-use 56 analyzer. The analyzer features four fully programmable 4-20 mA outputs and four fully programmable relays. The large, full color display allows the user to read sample pH and chlorine concentration at a glance. A data logger, graphical display, and HART digital communications are standard.

Valves, rotameters, and pressure regulators to control sample flow are things of the past with the FCL. A constant head overflow sampler ensures the correct sample flow to each sensor. To eliminate wiring hassles, quick-disconnect Variopol cable is standard.

Stable free chlorine standards do not exist. The chlorine sensor must be calibrated using the results of a laboratory test run on a grab sample.

1.3 SPECIFICATIONS — GENERAL

Sample requirements:**Pressure:** 3 to 65 psig (122 to 549 kPa abs)

A check valve in the inlet prevents the sensor flow cells from going dry if sample flow is lost. The check valve opens at 3 psig (122 kPa abs). If the check valve is removed, minimum pressure is 1 psig (108 kPa abs).

Temperature: 32 to 122°F (0 to 50°)**Minimum Flow:** 3 gal/hr (11 L/hr)**Maximum flow:** 80 gal/hr (303 L/hr); high flow causes the overflow tube to back up**Sample Conductivity:** >50 µS/cm at 25°C**Process connection:** 1/4-in OD tubing compression fitting (can be removed and replaced with barbed fitting for soft tubing)**Drain connection:** 3/4-in barbed fitting. Sample must drain to open atmosphere.**Wetted parts:**

Overflow sampler and flow cell: acrylic, polycarbonate, Kynar^{®1}, nylon, silicone

Chlorine sensor: Noryl^{®2}, Viton^{®3}, wood, silicone, polyethersulfone, polyester, and platinum

pH sensor (3900VP): stainless steel, glass, Teflon^{®4}, polyphenylene sulfide, EPDM, and silicone

Response time: <80 sec to 95% of final reading for inlet sample flow of 3 gph (11 L/hr)**Weight/shipping weight:**

Model FCL-01: 10 lb/13 lb (4.5 kg/6.0 kg)

Model FCL-02: 11 lb/14 lb (5.0 kg/6.5 kg)

[rounded to the nearest 1 lb. (0.5 kg)]

1.4 SPECIFICATIONS — SENSOR

Free chlorine range: 0 to 10 ppm as Cl₂. For higher ranges, consult the factory.**pH correction range:** 6.0 to 9.5. For samples having pH between 9.5 and 10.0, consult the factory.

If pH < 6.0, correction is not necessary. For manual pH correction, choose option -01. For continuous pH correction choose option -02.


Accuracy: Accuracy depends on the accuracy of the chemical test used to calibrate the sensor.**Interferences:** Monochloramine, permanganate, peroxides.**Electrolyte volume:** 25 mL (approx.)**Electrolyte life:** 3 months (approx.); for best results replace electrolyte monthly.

1.5 SPECIFICATIONS — ANALYZER

Case: Polycarbonate**Display:** Full color LCD, 3.75 x 2.20 in. (95 x 56 mm); display can be customized by the user.**Languages:** English, French, German, Italian, Spanish, Portuguese, Chinese, Russian, and Polish.**Ambient Temperature and Humidity:** 14 to 140°F (-10 to 60°C); RH 5 to 95% (non-condensing).

Between 23 and 131°F (-5 to 55°C) there is no visible degradation in display response or performance.

Storage temperature: -4 to 140°F (-20 to 60°C)**Power:** 85 to 265 VAC, 47.5 to 65.0 Hz, 20 W**RFI/EMI:** EN-61326**LVD:** EN-6101-01**Outputs:** Four 4-20 or 0-20 mA isolated current outputs; assignable to measurement or temperature; fully scalable; maximum load 550 Ω. HART digital signal is superimposed on output 1.**Alarms and Timers:** Four relays, fully configurable as a setpoint alarm, interval timer, TPC, bleed and feed timer, delay timer, date and time timer, and fault alarm.**Relays:** Form C, SPDT, epoxy sealed.**Relay Contact ratings:**

 5 A at 28 VDC or 300 VAC (resistive)
1/8 HP at 120/240 VAC

Control features: PID control (analog output) and time proportional control or TPC (relays) are standard.**Data logger:** Data automatically stored every 30 seconds for 30 days; older data removed to make room for new data. The following data are automatically stored:

Chlorine: date and time, ppm, temperature, raw sensor current

pH: date and time, pH, temperature, mV, glass impedance, and reference impedance (if available)

Event logger: Stores up to 300 events with data and time stamp: faults, warnings, calibration data, calibration results (pass or fail), power on/off cycles, and hold on/off. Alarm relay activation and deactivation can also be stored. Older events are automatically removed to make room for new events.**Data and event downloading:** through USB port on front panel.**Graphical display:** Dual graphical display shows measurement data on the y-axis and time on the x-axis. Y-axis is fully assignable and scalable. X-axis can be set to one hour, one day, seven days, or 30 days.**Digital communications:** HART digital communications is standard.¹ Kynar is a registered trademark of Elf Atochem North America.² Noryl is a registered trademark of General Electric.³ Viton is a registered trademark of E.I. duPont de Nemours & Co.⁴ Teflon is a registered trademark of E.I. duPont de Nemours & Co.

1.6 ORDERING INFORMATION

Model FCL Free Chlorine Measuring System. The FCL is a complete system for the determination of free chlorine in aqueous samples. It consists of the sensor(s), analyzer, and constant head overflow device to control sample flow. All components are mounted on a backplate. Model option -02 includes a pH sensor for continuous, automatic pH correction. Three replacement membranes and a 4-oz. bottle of electrolyte solution are shipped with the chlorine sensor.

FCL FREE CHLORINE MEASURING SYSTEM	
CODE	pH CORRECTION (required selection)
01	Without pH sensor
02	With pH sensor
CODE	pH CORRECTION (required selection)
240	56-03-24-38-HT, 85-265 VAC, 47.5/65.0 Hz, chlorine only (option -01 only)
241	56-03-24-32-HT, 85-265 VAC, 47.5/65.0 Hz, chlorine and pH (option -02 only)
FCL-02 -241 EXAMPLE	

COMPONENT PARTS

ANALYZER MODEL	DESCRIPTION
56-03-24-38-HT	56-03-24-38-HT, 85-265 VAC, 47.5/65.0 Hz, chlorine only
56-03-24-32-HT	56-03-24-32-HT, 85-265 VAC, 47.5/65.0 Hz, chlorine and pH

SENSOR MODEL	DESCRIPTION
499ACL-01-54-VP	Free chlorine sensor with Variopol connector
3900VP-02-10	pH sensor with Variopol connector

SENSOR CABLE	DESCRIPTION
23747-04	Interconnecting cable, Variopol for 499ACL sensor, 4 ft
23645-08	Interconnecting cable, Variopol for 3900VP sensor, 4 ft

ACCESSORIES

PART #	DESCRIPTION
9240048-00	Tag, stainless steel (specify marking)

This page left blank intentionally

SECTION 2.0. INSTALLATION

2.1 UNPACKING AND INSPECTION

Inspect the shipping container. If it is damaged, contact the shipper immediately for instructions. Save the box. If there is no apparent damage, unpack the container. Be sure all items shown on the packing list are present. If items are missing, notify Rosemount Analytical immediately.

2.1.1 MODEL FCL-01 (free chlorine without continuous pH correction)

Model FCL-01 consists of the following items mounted on a back plate.

1. Model 56-03-24-38-HT analyzer with sensor cable attached.
2. Constant head flow controller with flow cell for chlorine sensor.

The free chlorine sensor (Model 499ACL-01-54-VP), three membrane assemblies, and a bottle of electrolyte solution are in a separate package.

2.1.2 MODEL FCL-02 (free chlorine with continuous pH correction)

Model FCL-02 consists of the following items mounted on a back plate.

1. Model 56-03-24-32-HT analyzer with sensor cables attached.
2. Constant head flow controller with flow cells for pH and chlorine sensors.
3. Ring clamp to hold pH buffer solution during calibration.

The free chlorine sensor (Model 499ACL-01-54-VP), three membrane assemblies, and a bottle of electrolyte solution, and the Model 3900VP-02-10 sensor, which replaces the Model 399VP-09 sensor, are in separate packages.

2.2 INSTALLATION

2.2.1 General Information

1. Although the system is suitable for outdoor use, do not install it in direct sunlight or in areas of extreme temperature.

 CAUTION
--

The FCL free chlorine analyzer is NOT suitable for use in hazardous areas.
--

2. To keep the analyzer enclosure watertight, install plugs (provided) in the unused cable openings.
3. Install the system in an area where vibrations and electromagnetic and radio frequency interference are minimized or absent.
4. Be sure there is easy access to the analyzer and sensors.

2.2.2 Sample Requirements

Be sure the sample meets the following requirements:

1. Temperature: 32 to 122°F (0 to 50°C)
2. Pressure: 3 to 65 psig (122 to 549 kPa abs)
3. Minimum flow: 3 gal/hr (11 L/hr)

2.2.3 Mounting, Inlet, and Drain Connections

The Model FCL is intended for wall mounting only. Refer to Figure 2-1 or 2-2 for details. The sensor(s) screw into the flow cell adapters as shown in the figures. For Model FCL-02 (free chlorine with continuous pH adjustment), the pH sensor must be installed as shown in Figure 2-2.

A 1/4-inch OD tubing compression fitting is provided for the sample inlet. If desired, the compression fitting can be removed and replaced with a barbed fitting. The fitting screws into a 1/4-inch FNPT check valve. The check valve prevents the flow cells from going dry if sample flow is lost.

The sample drains through a 3/4-inch barbed fitting. Attach a piece of soft tubing to the fitting and allow the waste to drain open atmosphere. Do not restrict the drain line.

Adjust the sample flow until the water level is even with the central overflow tube and excess water is flowing down the tube.

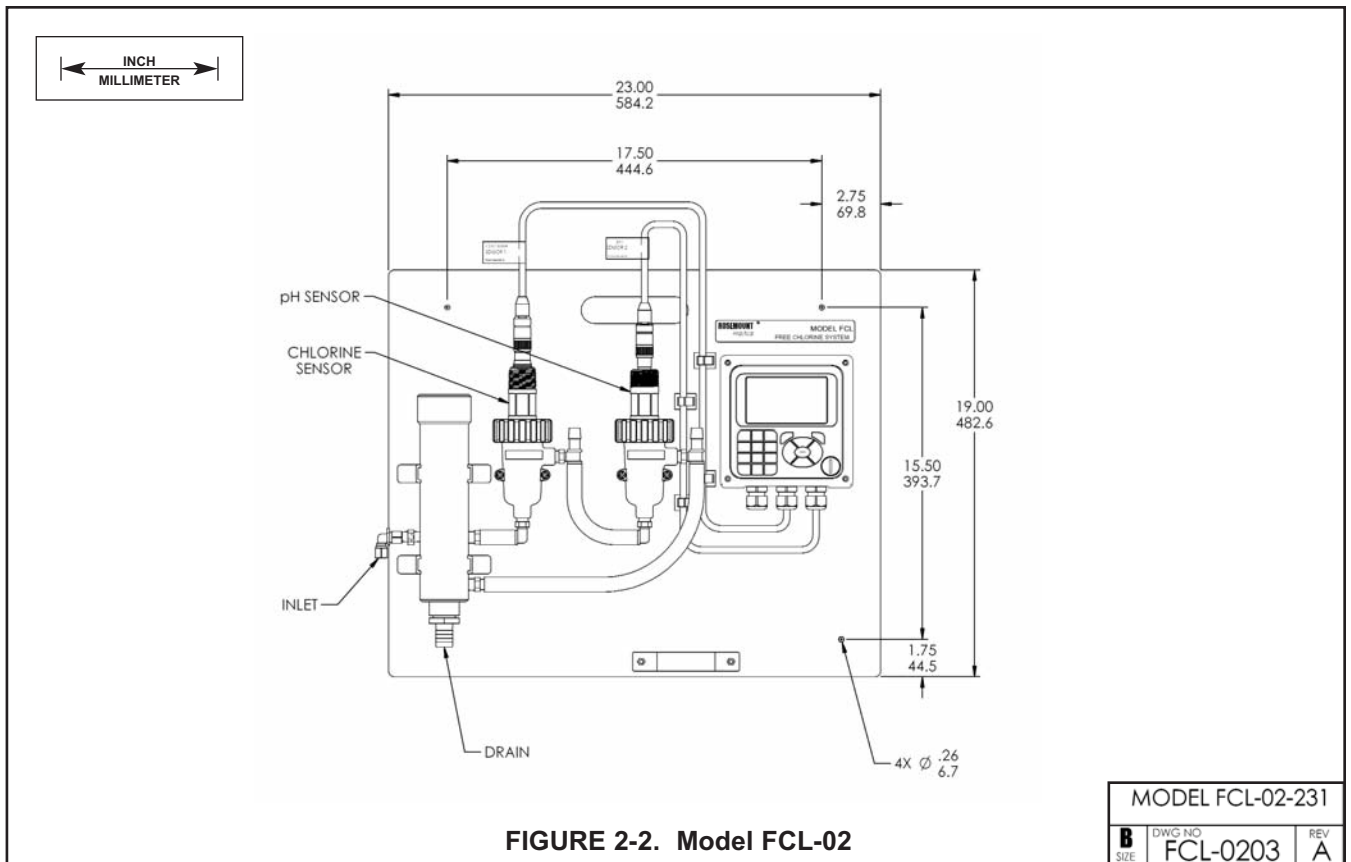
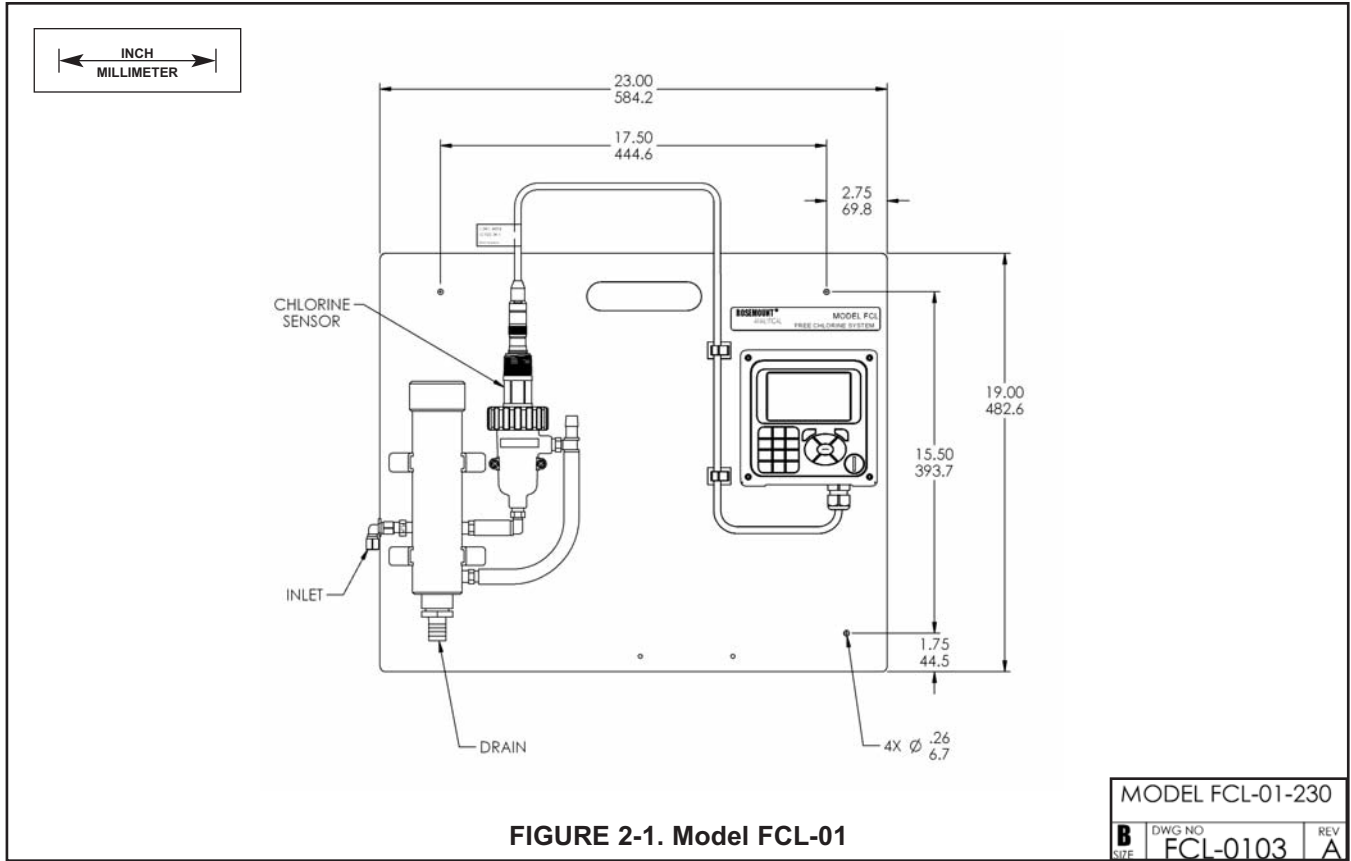
2.2.4 Electrical Connections

Refer to Section 3.1 for details.

2.2.5 Installing the Sensor(s)

The Model FCL is provided with sensor cables pre-wired to the analyzer. Connect the chlorine sensor (Model 499ACL-01-54-VP) to the cable labeled Chlorine. Connect the pH sensor (Model 3900VP-02-10 or older Model 399VP-09) to the cable labeled pH. The terminal end of the sensor is keyed to ensure proper mating with the cable receptacle. Once the key has slid into the mating slot, tighten the connection by turning the knurled ring clockwise.

The sensor(s) screw into the plastic fitting(s), which are held in the flow cell(s) by the union nut. Do not remove the protective cap on the sensor(s) until ready to put the sensor(s) in service.



This page left blank intentionally

SECTION 3.0. WIRING

3.1 POWER, ALARM, AND OUTPUT WIRING

	<p>WARNING RISK OF ELECTRICAL SHOCK</p>
<p>Electrical installation must be in accordance with the National Electrical Code (ANSI/NFPA-70) and/or any other applicable national or local codes.</p>	

3.1.1 Power

Wire AC mains power to the power supply board, which is mounted on the left hand side of the enclosure beneath the gray plastic cover. To remove the cover, grab it by the upper edges and pull straight out. The power connector is at the bottom of the board. See Figure 3-2. Bring the power cable through the conduit opening just below the connector. Unplug the connector from the board and wire the power cable to it. Lead connections are marked on the connector. (L is live or hot; N is neutral; the ground connection has the standard symbol.)

Replace the cover. The two tabs on the back edge of the cover fit into slots at the rear of the enclosure, and the three small slots in the front of the cover snap into the three tabs next to the relay terminal strip. See Figure 3-2. Once the tabs are lined up, push the cover to snap it in place.

AC power wiring should be 14 gauge or greater. Run the power wiring through the conduit opening nearest the power terminal. Provide a switch or breaker to disconnect the analyzer from the main power supply. Install the switch or breaker near the analyzer and label it as the disconnecting device for the analyzer.

3.1.2 Analog output wiring

Four analog current outputs are located on the main circuit board, which is attached to the inside of the enclosure door. Figure 3-1 shows the location of the terminals, the outputs they are assigned to, and the polarity.

For best EMI/RFI protection, use shielded output signal cable enclosed in earth-grounded metal conduit.

Keep output signal wiring separate from power wiring. Do not run signal and power or relay wiring in the same conduit or close together in a cable tray.

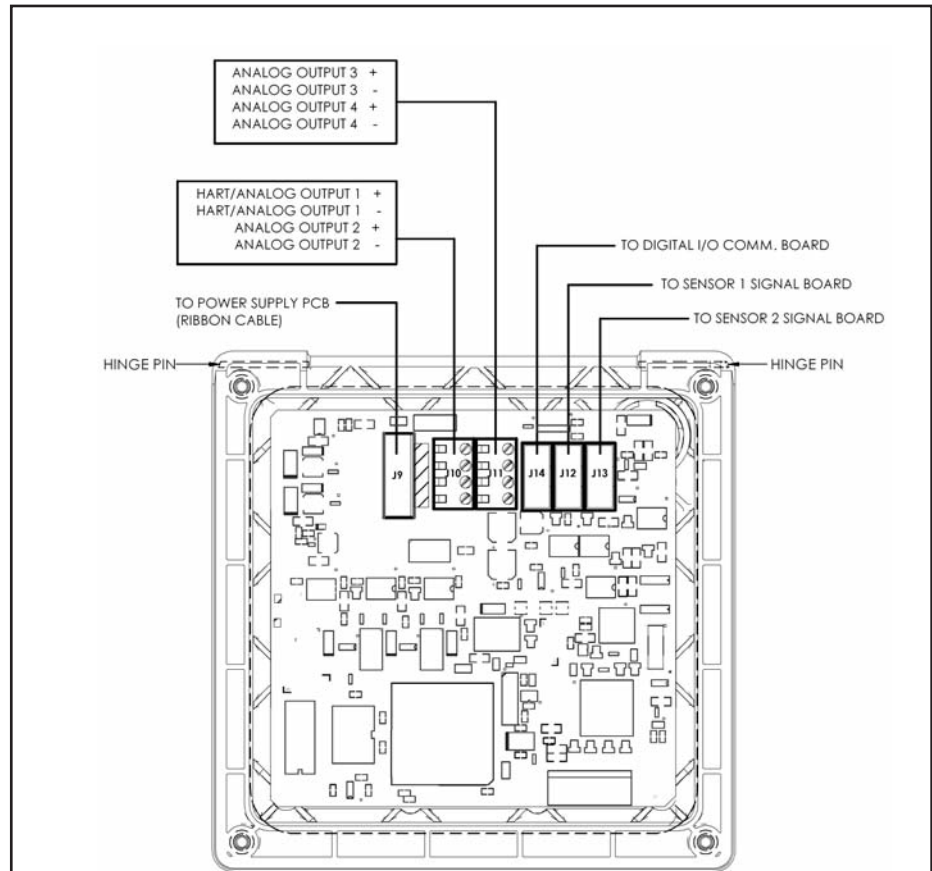


FIGURE 3-1. Analog output connections.

The analog outputs are on the main board near the hinged end of the enclosure door.

TITLE WIRING DIAGRAM		
MAIN BOARD, 1056		
B	DWG NO	REV
SEE	40005603	A

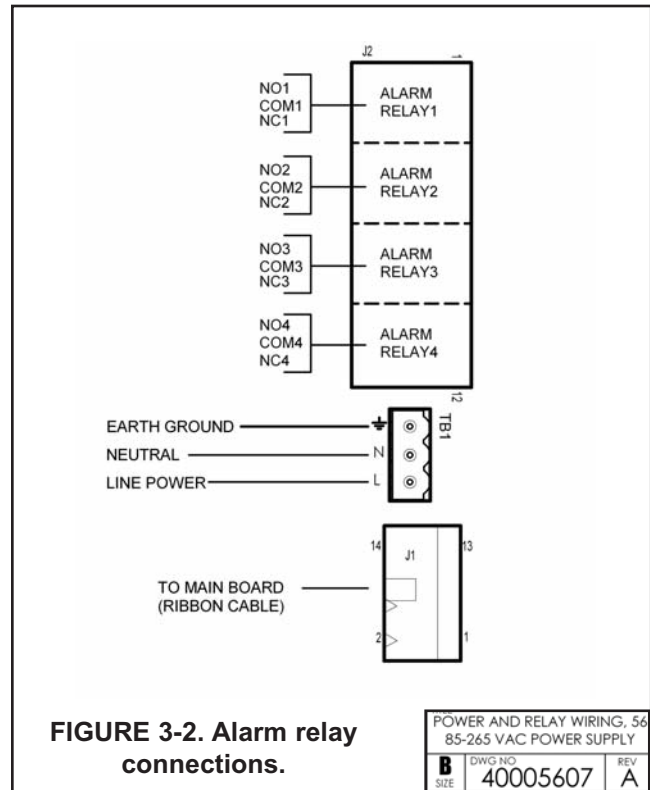
3.1.3 Alarm wiring.

⚠ WARNING
Exposure to some chemicals may degrade the sealing properties used in the following devices: Zettler Relays (K1-K4) PN AZ8-1CH12DSEA

The alarm relay terminal strip is located on the power supply board, which is mounted on the left hand side of the enclosure beneath the gray plastic cover. To remove the cover, grab it by the upper edges and pull straight out. The relay terminal strip is at the top of the board. See Figure 3-2. Bring the relay wires through the rear conduit opening on the left hand side of the enclosure and make connections to the terminal strip.

Replace the cover. The two tabs on the back edge of the cover fit into slots at the rear of the enclosure, and the three small slots in the front of the cover snap into the three tabs next to the relay terminal strip. See Figure 3-2. Once the tabs are lined up, push the cover to snap it in place.

Keep alarm relay wiring separate from signal wiring. Do not run signal and power or relay wiring in the same conduit or close together in a cable tray.



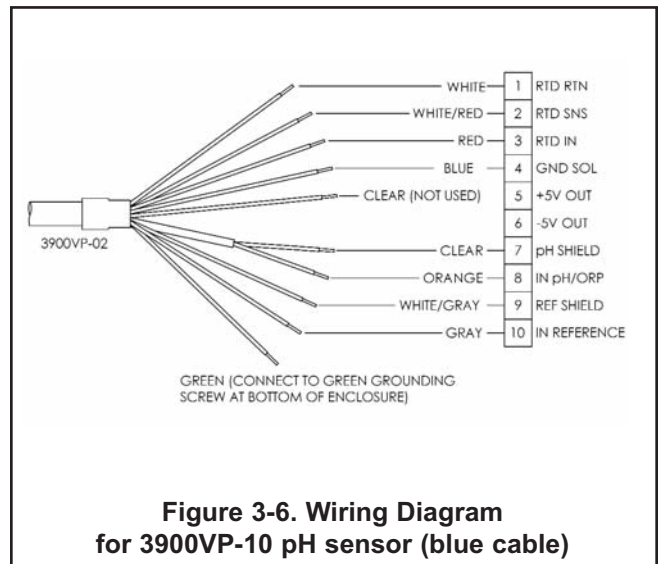
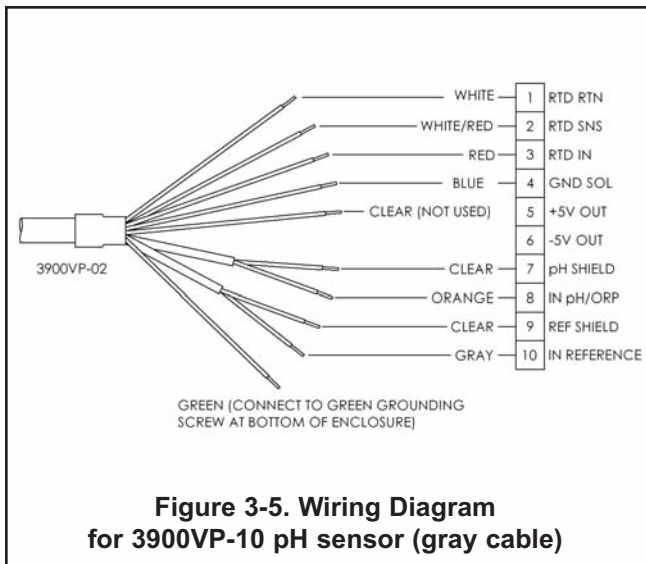
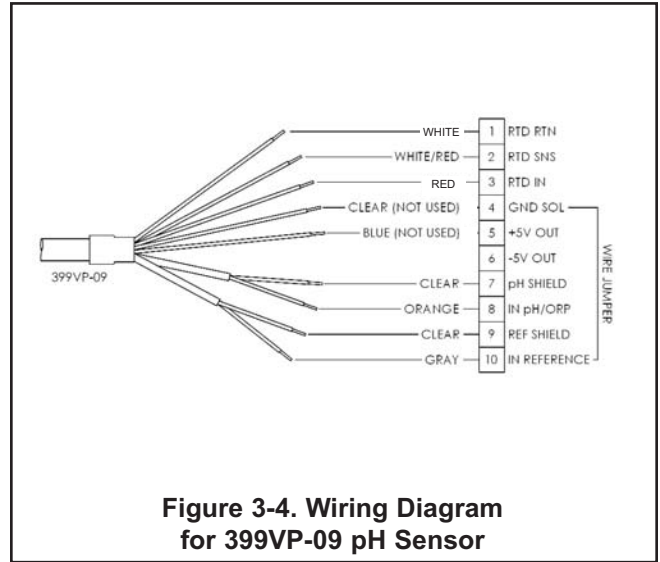
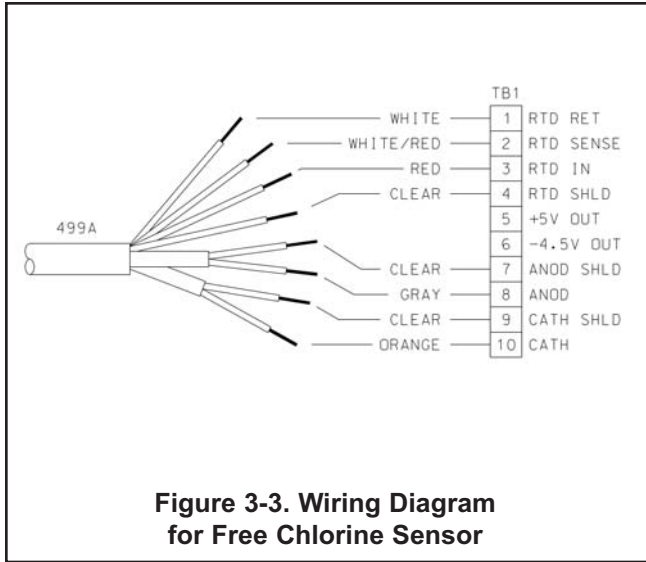
3.2 SENSOR WIRING

The Model FCL is provided with sensor cables pre-wired to the analyzer. If it is necessary to replace the sensor cable, refer to the instructions below.

1. Shut off power to the analyzer.
2. Loosen the four screws holding the front panel in place and let it drop down.
3. Locate the appropriate signal board.

Slot 1 (left)	Slot 2 (center)	Slot 3 (right)
communication	input 1 (chlorine)	input 2 (pH)

4. Loosen the gland fitting and carefully push the sensor cable up through the fitting as you pull the board forward to gain access to the wires and terminal screws. Disconnect the wires and remove the cable.
5. Insert the new cable through the gland and pull the cable through the cable slot.
6. Wire the sensor to the signal board. Refer to the wiring diagrams in Figures 3-3 through 3-6.
7. Once the cable has been connected to the board, slide the board fully into the enclosure while taking up the excess cable through the cable gland. Tighten the gland nut to secure the cable and ensure a sealed enclosure.



This page left blank intentionally

SECTION 4.0 DISPLAY AND OPERATION

4.1. MAIN DISPLAY

The analyzer has a four line display. See Figure 4-1. The display can be customized to meet user requirements. See Section 4.5. Fault or warning messages, if appropriate, appear at the bottom of the screen. See Section 11.1.

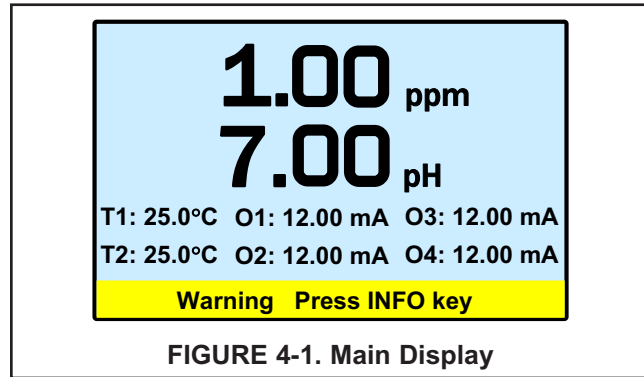


FIGURE 4-1. Main Display

The following abbreviations are used in the lower two lines of the display. The number following the abbreviation refers to the sensor, alarm relay, or output.

O	output	I	sensor current (chlorine)
T	temperature (live)	mV	mV input (pH)
Tm	temperature (manual)	Slp	slope (pH)
M	measurement	R.Z	reference impedance (pH)
AL	alarm relay	Gl.Z	glass impedance (pH)

4.2. KEYPAD

Local communication with the analyzer is through the membrane keypad. See Figure 4-2.

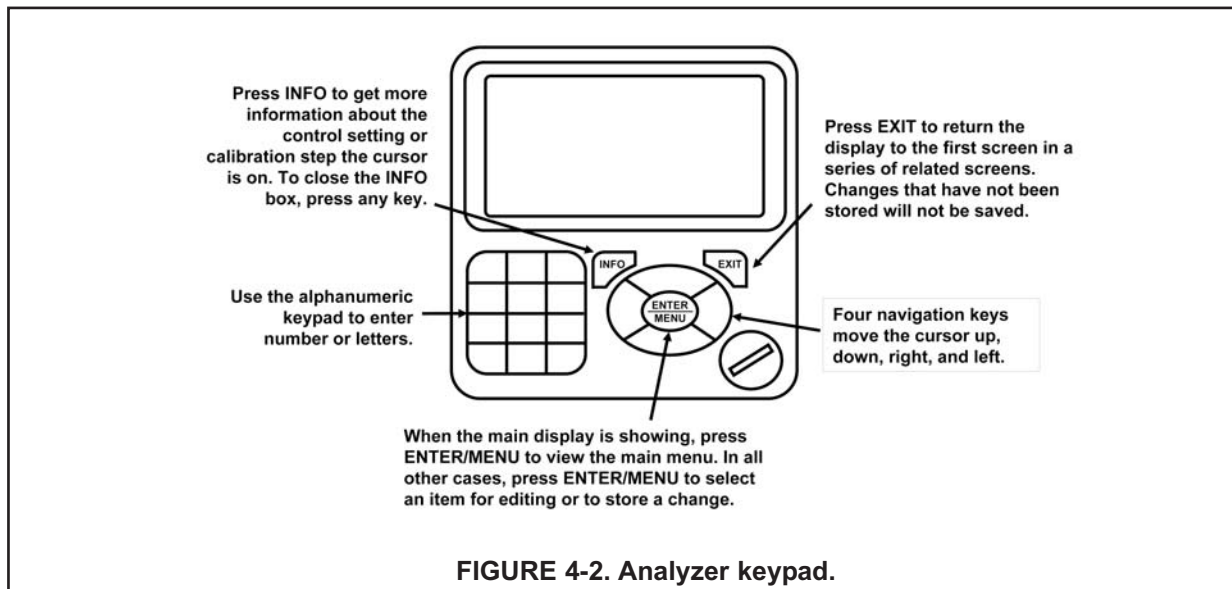


FIGURE 4-2. Analyzer keypad.

4.3 OPERATION

The operation of the Model 56 can best be understood from the following example.

S1: 1.00 ppm 25.0°C		S2: 7.00 pH 25.0°C	
Calibrate	Data storage and retrieval		
Program	HART		
Hold	Time and date		
Display setup	Reset		

1. With the main display showing (Figure 4-1), press the ENTER/MENU key. The main menu, shown at left, will appear. **Pressing the ENTER/MENU key will bring up the main menu only if the main display is showing.**

Note that the current reading and temperature for sensor 1 (S1) and sensor (S2), if applicable, always appear at the top of the screen.

The cursor (dark blue backlit field) is on the Calibrate button. Press the down key to move the cursor to the Program button.

S1: 1.00 ppm 25.0°C		S2: 7.00 pH 25.0°C	
Outputs	Relays	Measure	Temperature
Security			
Output	1		
Analog/PID/Simulate	Analog		
Assign	S1 measurement		
Range	4-20 mA		
Scale	Linear		
Dampening	0 sec		
		NEXT	BACK

2. Press the ENTER/MENU key. The cursor is on the outputs tab and the first screen in the outputs sub-menu is showing.

To select a different program submenu use the right key to move the cursor to the desired tab and press ENTER/MENU.

S1: 1.00 ppm 25.0°C		S2: 7.00 pH 25.0°C	
Outputs	Relays	Measure	Temperature
Security			
Output	1		
Analog/PID/Simulate	Analog		
Assign	S1 measurement		
Range	4-20 mA		
Scale	Linear		
Dampening	0 sec		
		NEXT	BACK

3. To enter the outputs submenu, press the down key. The cursor moves to the first control box, Output. The Model 56 has four analog outputs, and this control lets the user select which output to configure.

S1: 1.00 ppm 25.0°C		S2: 7.00 pH 25.0°C	
Outputs	Relays	Measure	Temperature
Security			
Output	1		
Analog/PID/Simulate	Analog		
Assign	S1 measurement		
Range	4-20 mA		
Scale	Linear		
Dampening	0 sec		
		NEXT	BACK

4. The default is output 1. To select a different output, press the ENTER/MENU key. A list of the available outputs, shown **two at a time**, appears. To view the list, press or press and hold the up or down key. To select and store the highlighted selection, press ENTER/MENU.

S1: 1.00 ppm 25.0°C		S2: 7.00 pH 25.0°C	
Outputs	Relays	Measure	Temperature
Security			
Output	1		
Analog/PID/Simulate	Analog		
Assign	S1 measurement		
Range	4-20 mA		
Scale	Linear		
Dampening	0 sec		
		NEXT	BACK

5. To move from one control box to another, press the up or down key.
6. Some controls require the user to select an item from a list. Others, like the dampening control, require the user to enter a number. Move the cursor to Dampening at the bottom of the screen.

S1: 1.00 ppm 25.0°C		S2: 7.00 pH 25.0°C	
Outputs	Relays	Measure	Temperature Security
Output	1		
Analog/PID/Simulate	Analog		
Assign	S1 measurement		
Range	4-20 mA		
Scale	Linear		
Dampening	sec		
		NEXT	BACK

7. The default dampening value is 0 seconds. To change the value, press ENTER/MENU. The dark blue back-lighting will disappear indicating that a number can be entered. Use the numeric keypad to enter the desired number. If you make an error, press the left key to erase the digit last entered. To store the number, press ENTER/MENU.

S1: 1.00 ppm 25.0°C		S2: 7.00 pH 25.0°C	
Outputs	Relays	Measure	Temperature Security
Dampening applies to the output only, not the main display. Increasing the dampening time reduces the noise on the output, but increases the response time.			

8. Every control box has an information or help screen associated with it. To view the information screen for the control box the cursor is on, press the INFO key. The information screen for the Dampening control is shown at left. To close the information screen, press any key.

S1: 1.00 ppm 25.0°C		S2: 7.00 pH 25.0°C	
Outputs	Relays	Measure	Temperature Security
Output	1		
Analog/PID/Simulate	Analog		
Assign	S1 measurement		
Range	4-20 mA		
Scale	Linear		
Dampening	sec		
		NEXT	BACK

9. A NEXT and BACK button are at the bottom of the screen. The NEXT button means that additional control boxes are available on at least one more screen. To view the next screen, use the navigation keys (either down or right) to move the cursor to NEXT and press ENTER/MENU.

S1: 1.00 ppm 25.0°C		S2: 7.00 pH 25.0°C	
Outputs	Relays	Measure	Temperature Security
Range: 0/4 mA	0.000 ppm		
Range: 20 mA	10.00 ppm		
Fault	Fixed		
Fault current	22.00 mA		
		BACK	

10. The next screen in the Outputs sub-menu appears. The cursor is on the outputs tab. To enter the screen, press the down navigation key.

11. To return to the previous screen, move the cursor to BACK and press ENTER/MENU.

12. To return to the main menu, press EXIT.

4.4 HOLD

4.4.1 Purpose

To prevent unwanted alarms and improper operation of control systems or dosing pumps, place the alarm relays and outputs assigned to the sensor in hold before removing the sensor for maintenance. Hold is also useful if calibration, for example, buffering a pH sensor, will cause an out of limits condition. During hold, outputs assigned to the sensor remain at the last value, and alarms assigned to the sensor remain in their present state.

4.4.2 Using the Hold Function.

The hold function uses certain programming features not discussed in Section 4.3.

1. With the main display showing, press ENTER/MENU. The main menu will appear. Choose Hold. The screen shown at left appears. The cursor is on the first check box. To hold outputs and relays associated with sensor 1, press ENTER/MENU. A check will appear in the check box. To put sensor 2 on hold also, move the cursor to the sensor 2 line and press ENTER/MENU to check the sensor 2 hold box.

2. To activate Hold, move the cursor to the APPLY button at the bottom left of the screen and press ENTER/MENU. The selected sensor outputs and alarm relays will remain on hold until taken out of hold. However, if power is lost then restored, hold will automatically be turned off.

3. The screen describes how to take the analyzer out of hold. **Be sure to press APPLY once the box has been unchecked.**

4. A message stating which sensors are in hold will appear in the fault/warning banner at the bottom of the main display.

4.5 MAIN DISPLAY

4.5.1 Configuring the main display

The main display can be configured to meet specific user requirements.

1. With the main display showing, press ENTER/MENU. The main menu will appear. Choose Display Setup. The screen shown at left appears.

2. Move the cursor the Display setup tab and press ENTER/MENU. The screen shown at left appears.

3. Choose Configure main display. The screen at left appears. The position of each control box corresponds to the position of the variable in the main display. Move the cursor to the control box and press ENTER/MENU. Use the up and down keys to scroll through the list of variables and press ENTER/MENU to select the desired variable for display.

4.5.2 Setting brightness

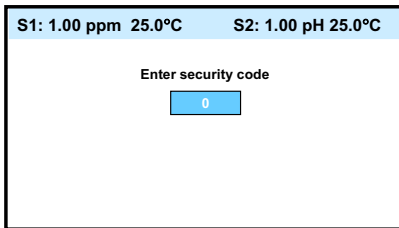
Move the cursor to the Set brightness button in the screen shown in step 2 in Section 4.5.1 and press ENTER/MENU. Then, move the cursor to the Display brightness control and select the desired brightness. The information screen gives recommendations about setting the brightness level especially in areas where the ambient temperature exceeds 121°F (50°C).

4.6 SECURITY

4.6.1 How the Security Code Works

Security codes prevent accidental or unwanted changes to program settings or calibrations. There are three levels of security.

- a. A user can view the main display and diagnostic screens only.
- b. A user has access to the calibration and hold menus only.
- c. A user has access to all menus.



1. If a security code has been programmed, pressing a sub-menu button (See section 4.3) will cause the security screen shown at left to appear.
2. Enter the three digit security code.
3. If the entry is correct, the requested sub-menu will appear and the user has access to all the sub-menus the code entitles him to.
4. If the entry is wrong, the invalid code screen appears.

4.6.1 Assigning Security Codes

See Section 5.7.

4.6.2 Bypassing Security Codes

Call the factory.

SECTION 5.0 PROGRAMMING THE ANALYZER

5.1 ENTERING THE PROGRAM MENUS

S1: 1.00 ppm 25.0°C		S2: 7.00 pH 25.0°C	
Calibrate	Data storage and retrieval		
Program	HART		
Hold	Time and date		
Display setup	Reset		

1. With the main display showing, press ENTER/MENU to display the main menu. Move the cursor to Program and press ENTER/MENU.

S1: 1.00 ppm 25.0°C		S2: 7.00 pH 25.0°C	
Outputs	Relays	Measure	Temperature
Output	1		
Analog/PID/Simulate	Analog		
Assign	S1 measurement		
Range	4-20 mA		
Scale	Linear		
Dampening	0 sec		
		NEXT	BACK

2. Move the cursor to the tab showing the desired sub menu and press ENTER/MENU. A fifth tab, not shown, labeled pH diagnostics setup, will be present if one of the sensors is a pH sensor.

5.2 OUTPUTS

5.2.1 Menu Tree

Figure 5-1 is the Outputs menu tree.

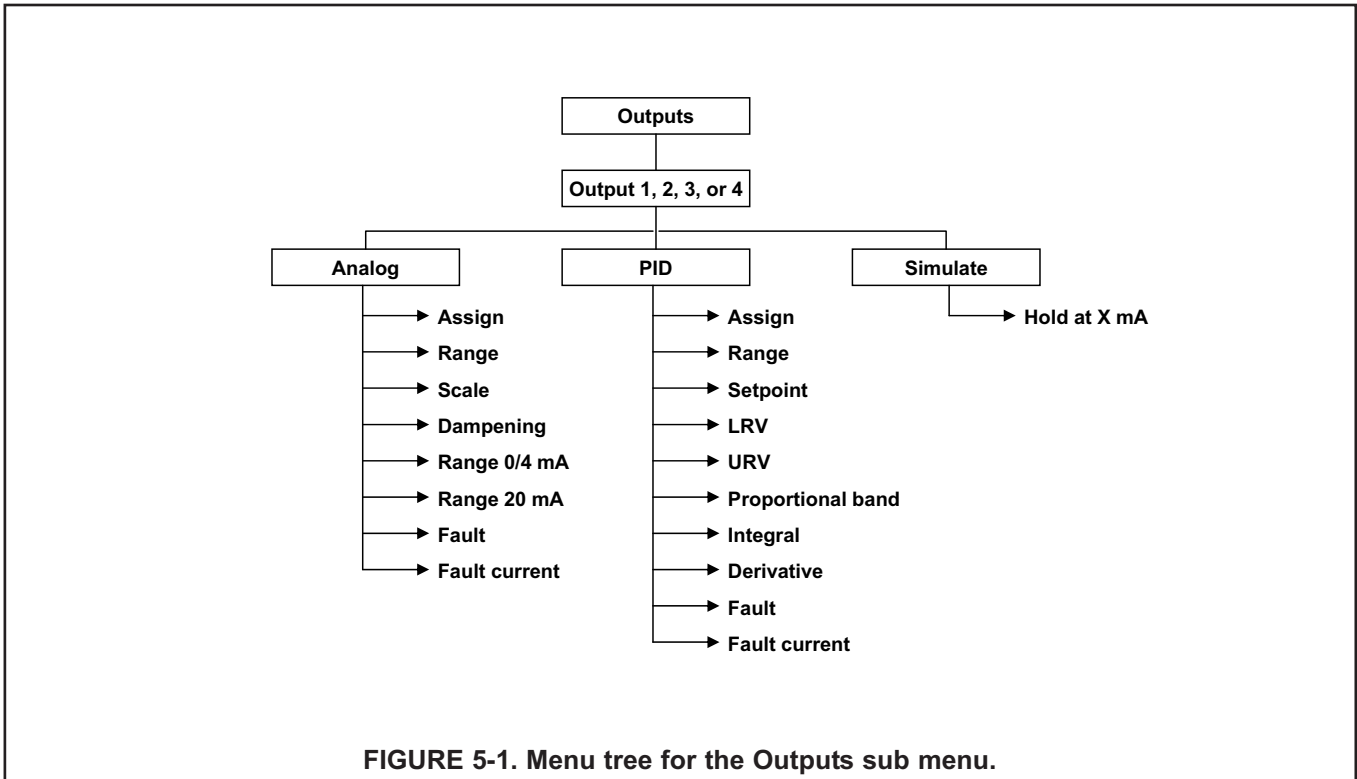


FIGURE 5-1. Menu tree for the Outputs sub menu.

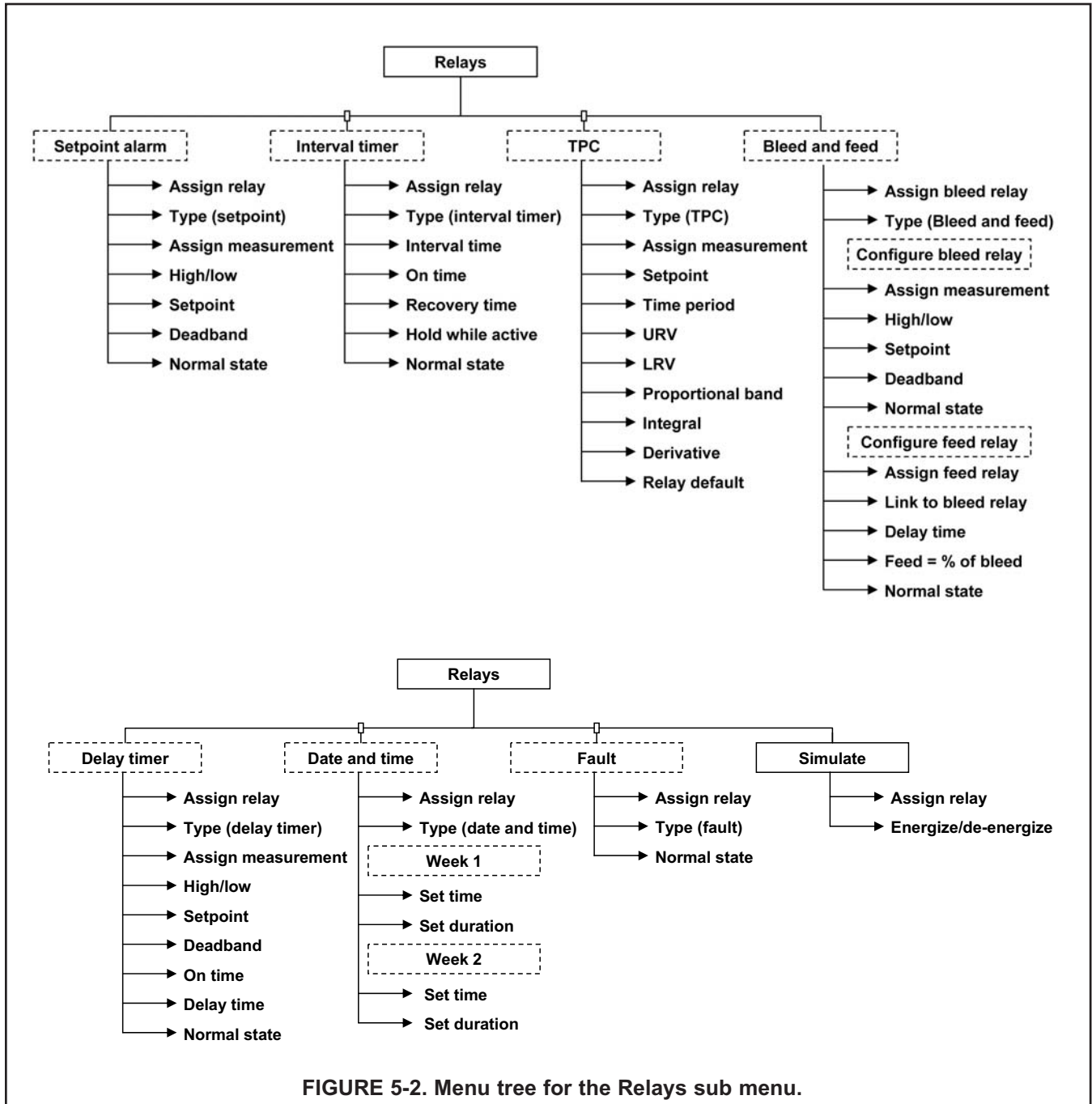
5.2.2. Settings

Move the cursor to the appropriate control box and make the desired setting. For more information about the control box the cursor is on press INFO. To close the information screen, press any key.

5.3 RELAYS

5.3.1 Menu Tree

Figure 5-2 is the Relays menu tree.



5.3.2. Settings

S1: 1.00 ppm 25.0°C		S2: 7.00 pH 25.0°C	
Outputs	Relays	Measure	Temperature Security
Explanation of relay actions			
Configure relay			
Simulate relay action			
BACK			

1. A large number of relay actions are available in the Model 56. For more information about a relay action, move the cursor the Explanation of relay actions button and press ENTER/MENU.

S1: 1.00 ppm 25.0°C		S2: 7.00 pH 25.0°C	
Outputs	Relays	Measure	Temperature Security
Setpoint alarm info	Delay timer info		
Interval timer info	Date and time timer info		
TPC info	Totalizer based timer info		
Bleed and feed info	Fault info		
BACK			

2. The screen at left appears. Select the desired relay action and press INFO to display the information screen. To close the information screen, press any key.

The totalizer-based relay timer is not available in the FCL. It is available only if one of the measurements is flow.

To configure a relay, press EXIT to return to the screen in step 1.

S1: 1.00 ppm 25.0°C		S2: 7.00 pH 25.0°C	
Outputs	Relays	Measure	Temperature Security
Relay	1		
Type	Setpoint		
Assign	S1 measurement		
Logic	High		
Setpoint	10.00 ppm		
Deadband	0.00 ppm		
NEXT BACK			

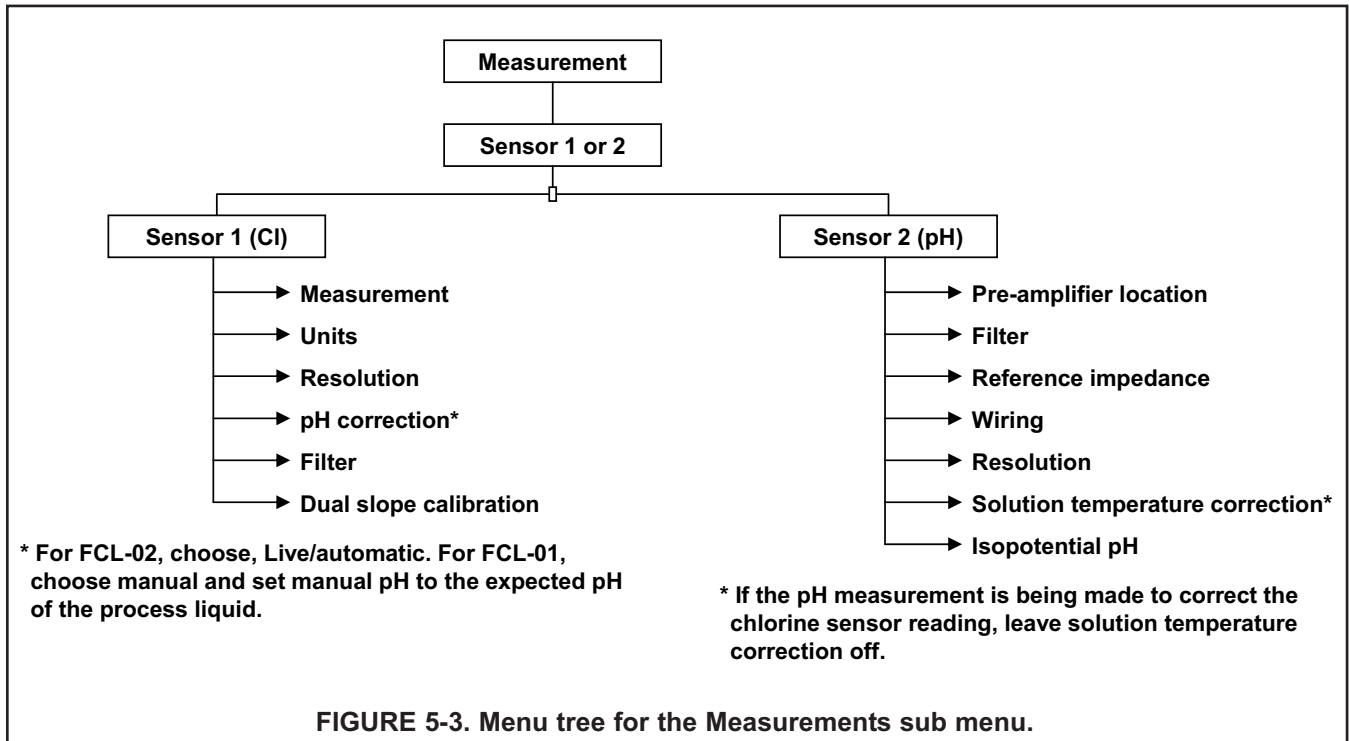
3. Move the cursor to the Configure relay button and press ENTER/MENU. A screen similar to the one at left will appear.

4. Move the cursor to the appropriate control box and make the desired setting. For more information about the control the cursor is on press INFO. To close the information screen, press any key.

5.4 MEASUREMENT

5.4.1 Menu Tree

Figure 5-3 is the Measurements menu tree.



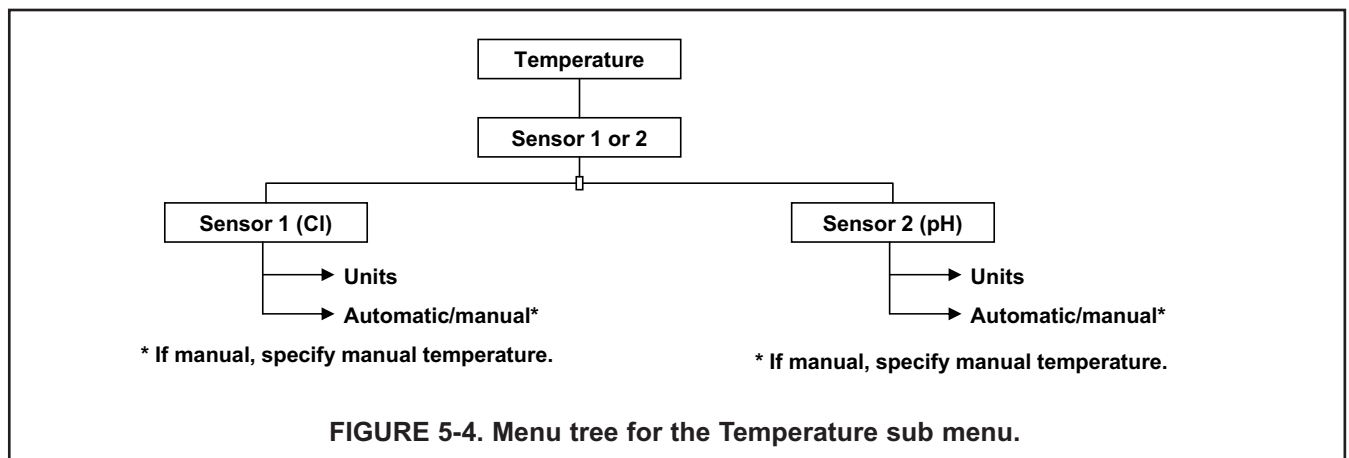
5.4.2. Settings

Move the cursor to the appropriate control box and make the desired setting. For more information about the control the cursor is on press INFO. To close the information screen, press any key.

5.5 TEMPERATURE

5.5.1 Menu Tree

Figure 5-4 is the Temperature menu tree.



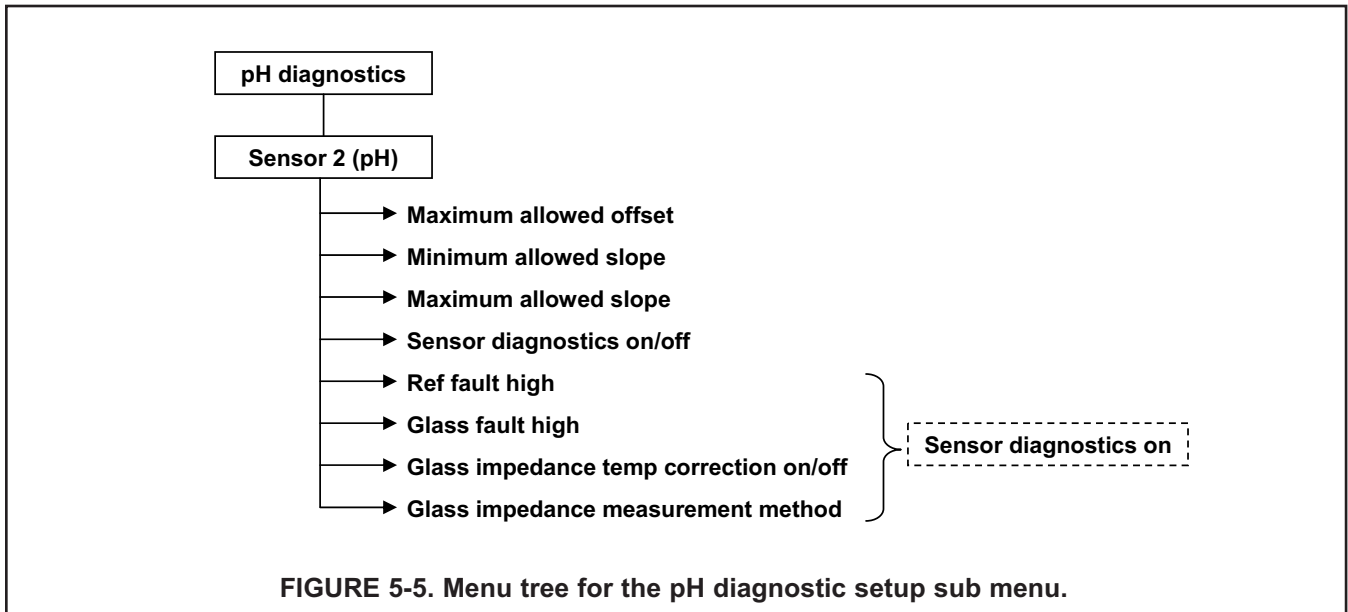
5.5.2. Settings

Move the cursor to the appropriate control box and make the desired setting. For more information about the control the cursor is on press INFO. To close the information screen, press any key.

5.6 pH DIAGNOSTIC SETUP

5.6.1 Menu Tree

Figure 5-5 is the pH diagnostic setup menu tree.



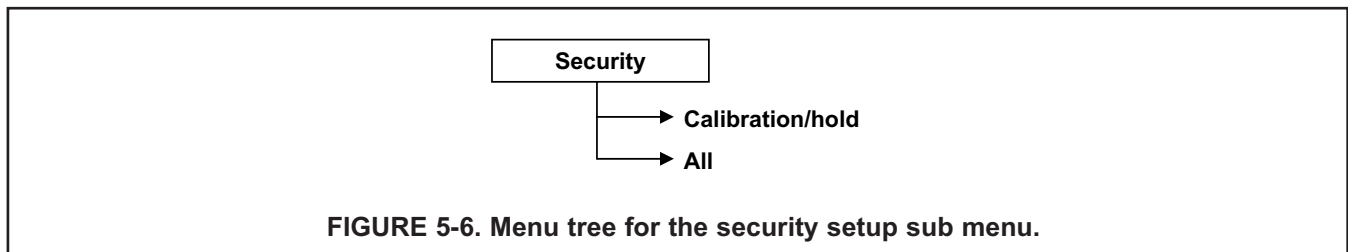
5.6.2. Settings

Move the cursor to the appropriate control box and make the desired setting. For more information about the control the cursor is on press INFO. To close the information screen, press any key.

5.7 SECURITY

5.7.1 Menu Tree

Figure 5-6 is the security setup menu tree.



5.7.2. Settings

Move the cursor to the appropriate control box and make the desired setting. For more information about the control the cursor is on press INFO. To close the information screen, press any key.

5.8 RESTORING DEFAULT SETTINGS

See section 6.7.

This page left blank intentionally

SECTION 6.0 CALIBRATION

6.1 INTRODUCTION

The calibrate menu allows the user to do the following:

1. Calibrate the RTD (temperature sensing element) in the chlorine and pH sensors.
2. Calibrate the chlorine sensor.
3. Calibrate the pH sensor. Four methods are available.
 - a. Two-point automatic buffer calibration
 - b. Manual two-point buffer calibration
 - c. Standardization (one-point calibration) against either a grab sample or an in-process measurement
 - d. Manual entry of pH sensor slope and offset if they are already known
4. Calibrate the analog outputs.

6.2 ENTERING THE CALIBRATION MENUS

S1: 1.00 ppm 25.0°C		S2: 7.00 pH 25.0°C	
Calibrate	Data storage and retrieval		
Program	HART		
Hold	Time and date		
Display setup	Reset		
BACK			

1. With the main display showing, press ENTER/MENU to display the main menu. The cursor will be on Calibrate. Press ENTER/MENU.

S1: 1.00 ppm 25.0°C		S2: 7.00 pH 25.0°C	
S1 Measurement	Output 1		
S1 Temperature	Output 2		
S2 Measurement	Output 3		
S2 Temperature	Output 4		
BACK			

2. Choose the sensor (measurement or temperature) or output to be calibrated. Sensor 1 (S1) is the free chlorine sensor; sensor 2 (S2) is the pH sensor (if present).

6.3 CALIBRATING TEMPERATURE

To calibrate the temperature device in the sensor, choose S1 temperature or S2 temperature and follow the prompts. If you want more information about a calibration step, press the INFO key. Once the calibration is complete, the screen will show the results of the calibration. The screen will also show some acceptance criteria to help you determine whether to accept the calibration. Press the INFO key for an information screen to aid with troubleshooting if the calibration results are not acceptable.

6.4 CALIBRATING THE FREE CHLORINE SENSOR

S1: 1.00 ppm 25.0°C	S2: 7.00 pH 25.0°C
Why is calibration necessary? To find out press INFO. Otherwise, choose the desired calibration method.	
<input type="button" value="Zero"/>	
<input type="button" value="Grab"/>	
<input type="button" value="BACK"/>	

1. Choosing sensor 1 (free chlorine) in section 6.2 causes the screen shown at left to appear. There are two steps to calibrating a free chlorine sensor, measuring the zero current (zero) and determining the slope of the calibration curve (grab). Because stable free chlorine standards in the ppm range do not exist, the sensor must be calibrated against the results of a laboratory test run on a grab sample.

2. To zero the sensor, select Zero and follow the prompts. For more information about preparing the zero solution and measuring the zero current, press the INFO key when prompted.

If the zero step is successful, the analyzer will display the zero complete screen and the measured zero current. The screen will also show the typical zero current for the sensor and the recommended acceptance criterion. You will be asked to accept the zero current. Press the INFO key for an information screen to aid with troubleshooting if the results are not acceptable.

If the zero current is badly in error, the analyzer will display the zero failed screen. Press the INFO key for troubleshooting.

3. To calibrate the sensor response in chlorinated water, select Grab and follow the prompts. Be sure the sensor is installed in the flow cell in the FCL and the sample is overflowing the inside tube in the overflow sampler. **If you are calibrating the FCL-02, calibrate the pH sensor first and install it in its flow cell before calibrating the free chlorine sensor.**

If the calibration is successful, the analyzer will display the calibration complete screen and the sensitivity (nA/ppm). The screen will also show the typical sensitivity range for the sensor and the recommended acceptance criterion. You will be asked to accept the calibration. Press the INFO key for an information screen to aid with troubleshooting if the calibration is not acceptable.

If the sensitivity is badly in error, the analyzer will display the calibration failed screen. Press the INFO key for troubleshooting.

6.5 CALIBRATING THE pH SENSOR

S1: 1.00 ppm 25.0°C		S2: 7.00 pH 25.0°C	
Why is calibration necessary? To find out press INFO. Otherwise, choose the desired calibration method.			
Auto buffer		Slope/offset	
Manual buffer			
Standardize (grab)			
Standardize (in process)			
			BACK

1. Choosing sensor 2 (pH) in section 6.2 causes the screen shown at left to appear. There are five possible ways to calibrate the pH sensor. Select the desired calibration method (auto buffer is recommended) and follow the prompts. For more information about calibration methods, press the INFO key

S1: 1.00 ppm 25.0°C		S2: 7.00 pH 25.0°C	
Start Calibration			
Setup auto calibration:			
Stabilization time	10	sec	
Stabilization delta	0.02	pH	
Buffer list	NIST ▼		
			BACK

2. If you choose auto buffer calibration, the screen at left will appear to allow you to setup auto buffer calibration parameters. The default values are recommended.

3. If the calibration is successful, the analyzer will display the calibration results (slope and offset for automatic and manual buffer calibration and offset for standardize calibration).

If there is a possible calibration error, the analyzer will display the calibration results and the nature of the error. You will be asked to accept the calibration. Press the INFO key for an information screen to aid with troubleshooting if the calibration is not acceptable.

If there is a serious calibration error, the analyzer will display the calibration results and the error. Press the INFO key for an information screen to aid with troubleshooting and repeat the calibration.

6.6 CALIBRATING THE ANALOG OUTPUTS

Choose the appropriate output in section 6.2 and follow the prompts to trim the selected output. If the calibration is successful the trim complete screen will appear. If the entered value is more than 1.0 mA different from the simulated output current, the analyzer will display the possible error screen, and you will be asked to accept the calibration. Press the INFO key for an information screen to aid with troubleshooting if the calibration is not acceptable.

6.7 RESET

6.7.1 Purpose

There are three resets.

1. Reset all user settings, including calibration and program settings, to the factory default values. The analyzer will return to Quick Start. **The event logger and data logger (See section 8.0) will be unaffected.**
2. Reset sensor calibration to the default value. The analyzer will clear all user-entered calibration data for the selected sensor. It will leave all other user-entered data unaffected.
3. Reset the analog output calibration for the selected output to the default value. The analyzer will leave all other user-entered settings unchanged.

6.7.2 Procedure

1. With the main display showing, press ENTER/MENU to display the main menu. Move the cursor to Reset and press ENTER/MENU.
2. Check the desired boxes and press APPLY.

This page left blank intentionally

SECTION 7.0 DIGITAL COMMUNICATIONS

The Model 56 analyzer supplied with the FCL has HART communications as a standard feature. For more information refer to the Model 56 HART Addendum Manual.

This page left blank intentionally

SECTION 8.0 DATA AND EVENT LOGGING AND RETRIEVAL

8.1. OVERVIEW

Data and event logging is a standard feature in the Model 56 analyzer. However, the feature must be enabled.

When data/event logging is enabled, the Model 56 analyzer will automatically store the following **events** with date and time stamp: faults, warnings, calibration data, calibration results (pass or fail), power on/off cycles, hold on/off, and new sensor board detected. At the user's discretion the analyzer will also store alarm activation and deactivation as events. The event logger holds 300 events. When the capacity of the logger is reached, the oldest events are removed to make room for new events.

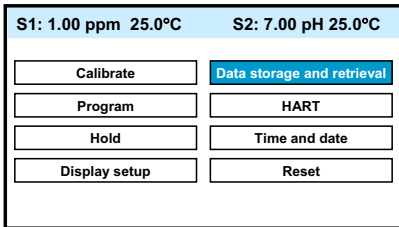
When data/event logging is enabled, the analyzer will automatically store the following measurement **data**.

Free chlorine: date and time, ppm chlorine, temperature, and sensor current.

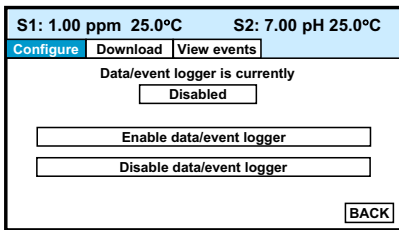
pH: date and time, pH, temperature, mV, glass impedance, reference impedance, and raw pH (if displayed pH has a solution temperature correction applied).

The analyzer can store up to 30 days of data. When the capacity of the logger is reached, the oldest data are removed to make room for new data. Data storage frequency is once every 30 seconds.

8.2. CONFIGURATION



1. With the main display showing, press MENU/ENTER. Choose Data storage and retrieval



2. The screen shown at left appears. The data logger is currently disabled (default). To enable the data logger, move the cursor to the Enable data/event logger button and press ENTER/MENU.

3. Make the appropriate date and time settings and choose which alarm relay activations and deactivations to record as events.

NOTE

Setting the date or time to an earlier value than the one currently showing will cause data to be lost from the data/event logger. Download data before resetting time or date. See section 8.3.

8.3. DOWNLOADING DATA AND EVENTS

To download data or events, move the cursor to the download tab and press ENTER/MENU. Unscrew the USB port cover in the lower right hand corner of the front panel and insert a USB flash drive in the port. Press the appropriate button to download data or events. Downloading may take as long as 20 minutes. During download, the display and keypad are frozen, but all other analyzer functions continue.

Downloaded data and events are stored in a spreadsheet. There is a separate spreadsheet for every day of data. The filename for downloaded data is **dl mmddyy** or **dl ddmmyy**, depending on the date and time format selected by the user. The filename for downloaded events is **el mmddyy** or **el ddmmyy**.

8.4. VIEWING EVENTS

The event log can be viewed on the Model 56 display. Move the cursor the View events tab and press ENTER/MENU. Move the cursor to the View Events button and press ENTER/MENU.

To scroll through the list of events move the cursor to the DOWN or UP key at the bottom of the screen and press and hold ENTER/MENU.

8.5. DATE AND TIME

The date and time can also be reset from the main menu by pressing the Time and Date button.

NOTE

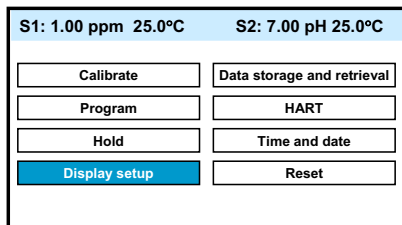
Setting the date or time to an earlier value than the one showing will cause data to be lost from the data/event logger. Download data before resetting time or date. See section 8.3.

SECTION 9.0 GRAPHICAL DISPLAY

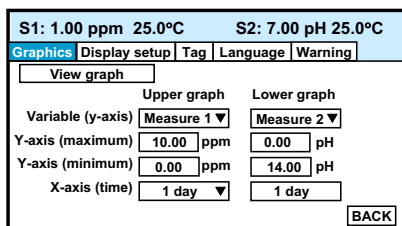
9.1. OVERVIEW

The Model 56 has a dual graphical display. Each graph can be configured to meet user requirements, although the time axis on both graphs must be the same. The time scale can be one hour, one day, seven days, or 30 days.

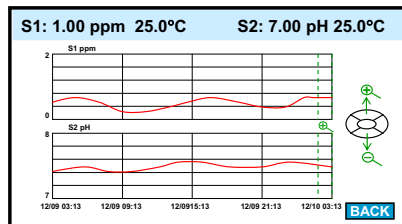
9.2. CONFIGURATION



1. With the main display showing, press MENU/ENTER. Choose Display setup.



2. The screen shown at left appears. Configure the displayed variable, the maximum and minimum values for the y-axis, and the time scale. To view the graphs, move the cursor to the View graph button and press ENTER/MENU.



3. The time axis can be expanded or shrunk. To expand the time scale, use the left or right navigation keys to move the pair of dotted green lines to the area of interest. Press the up navigation key to expand the graph. To shrink the time axis, press the down navigation key.

This page left blank intentionally

SECTION 10.0 MAINTENANCE

10.1 ANALYZER


The analyzer used with the FCL needs little routine maintenance.

Clean the analyzer case and front panel by wiping with a clean soft cloth dampened with water **ONLY**. Do not use solvents, like alcohol, that might cause a buildup of static charge.

Sensor circuit boards are replaceable.

PN	
24207-00	pH/ORP/ISE sensor board
24203-01	chlorine sensor board

To replace a board

	<p>WARNING RISK OF ELECTRICAL SHOCK</p>
<p>Disconnect main power and relay contacts wired to separate power source before servicing</p>	

1. Turn off power to the analyzer.
2. Loosen the four screws holding the front panel in place and let the front panel drop down.
3. Loosen the gland fitting and carefully push the sensor cable up through the fitting as you pull out the circuit board.
4. Once you have access to the terminal strip, disconnect the sensor.
5. Unplug the sensor board from the main board. See Figure 3-2.
6. Slide the replacement board partially into the board slot. Plug the sensor board into the main board and reattach the sensor wires.
7. Carefully pull the sensor cable through the gland fitting as you push the sensor board back into the enclosure. Tighten the cable gland.
8. Close the front panel.
9. Turn on power.

10.2 CHLORINE SENSOR

10.2.1 General.

When used in clean water, the chlorine sensor requires little maintenance. Generally, the sensor needs maintenance when the response becomes sluggish or noisy or when readings drift following calibration. For a sensor used in potable water, expect to clean the membrane every month and replace the membrane and electrolyte solution every three months. In water containing large amounts of suspended solids, for example open recirculating cooling water, membrane cleaning or replacement will be more frequent.

10.2.2 Cleaning the membrane.

Clean the membrane with water sprayed from a wash bottle. **Do not use tissues to clean the membrane.**

10.2.3 Replacing the electrolyte solution and membrane.

 CAUTION
Fill solution may cause irritation. May be harmful if swallowed. Read and follow manual.

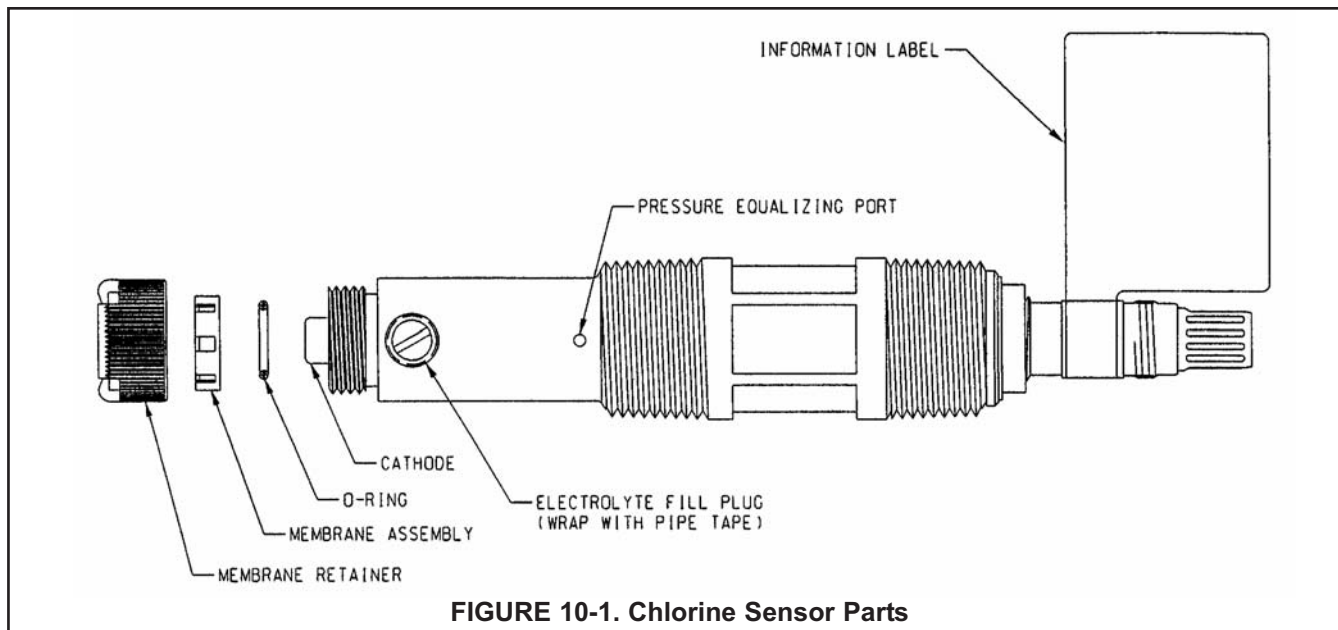
1. Unscrew the membrane retainer and remove the membrane assembly and O-ring. See Figure 10-1.
2. Hold the sensor over a container with the cathode pointing down.
3. Remove the fill plug and allow the electrolyte solution to drain out.
4. Inspect the cathode. If it is tarnished, clean it using a cotton-tipped swab dipped in baking soda or alumina. Use type A dry powder alumina intended for metallographic polishing of medium and soft metals. Rinse thoroughly with water.
5. Wrap the plug with two turns of pipe tape and set aside. Remove old tape first.
6. Prepare a new membrane. Hold the membrane assembly with the cup formed by the membrane and membrane holder pointing up. Fill the cup with electrolyte solution and allow the wooden ring to soak up the solution (usually takes several minutes).
7. Hold the sensor at about a 45-degree angle with the cathode end pointing up. Add electrolyte solution through the fill hole until the liquid overflows. Tap the sensor near the threads to release trapped air bubbles. Add more electrolyte solution if necessary.
8. Place the fill plug in the electrolyte port and begin screwing it in. After several threads have engaged, rotate the sensor so that the cathode is pointing up and continue tightening the fill plug. Do not overtighten.
9. Place a new O-ring in the groove around the cathode post. Cover the holes at the base of the cathode stem with several drops of electrolyte solution.
10. Insert a small **blunt** probe, like a toothpick with the end cut off, through the pressure equalizing port. See Figure 10-1.

NOTE

Do not use a sharp probe. It will puncture the bladder and destroy the sensor.

Gently press the probe against the bladder several times to force liquid through the holes at the base of the cathode stem. Keep pressing the bladder until no air bubbles can be seen leaving the holes. Be sure the holes remain covered with electrolyte solution.

11. Place a drop of electrolyte solution on the cathode, then place the membrane assembly over the cathode. Screw the membrane retainer in place.
12. The sensor may require several hours operating at the polarizing voltage to equilibrate after the electrolyte solution has been replaced.

**TABLE 10-2. Spare Parts**

33523-00	Electrolyte Fill Plug
9550094	O-Ring, Viton 2-014
33521-00	Membrane Retainer
23501-08	Free Chlorine Membrane Assembly: includes one membrane assembly and one O-ring
23502-08	Free Chlorine Membrane Kit: includes 3 membrane assemblies and 3 O-rings
9210356	#4 Free Chlorine Sensor Fill Solution, 4 oz (120 mL)

10.3 pH SENSOR

10.3.1 General.

When used in clean water, the pH sensor requires little maintenance. Generally, the sensor needs maintenance when the response becomes sluggish or noisy. In clean water the typical cleaning frequency is once a month. In water containing large amounts of suspended solids, for example open recirculating cooling water, cleaning frequency will be substantially greater.

10.3.2 Cleaning the Sensor

Remove soft deposits by rinsing with a stream of water from a wash bottle. If the sensor becomes coated with rust, dissolve the rust by soaking the sensor in dilute citric acid (dissolve 5 grams citric acid crystals in 100 mL of water) for no longer than 30 minutes at room temperature. Rinse the sensor thoroughly with water and soak in pH 4 buffer for several hours. Recalibrate the sensor in buffers before returning it to service.

10.3.3 Other Maintenance

The 3900VP-02-10 or the older 399VP-09 sensor supplied with the Model FCL-02 is disposable. It has no replaceable parts.

10.4 CONSTANT HEAD FLOW CONTROLLER

10.4.1 General

After a period of time, deposits may accumulate in the constant head overflow chamber and in the tubing leading to the flow cell(s). Deposits increase the resistance to flow and cause the flow to gradually decrease. Loss of flow may ultimately have an impact on the chlorine sensor performance. The flow controller is designed to provide about 2 gal/hr (120 mL/mm) flow. Loss of flow to about 1 gal/hr (60 mL/mm) causes about a 5% decrease in chlorine sensor output. Loss of flow has almost no effect on pH sensor performance other than to increase the overall response time.

10.4.2 Cleaning the flow controller

The low flow controller can be taken apart completely for cleaning. Use a strong flow of water to flush out the tubing. A pipe cleaner or a small bottlebrush can remove more adherent deposits. To prevent leaks, apply a thin layer of silicone grease (or equivalent) to the two O-rings at the base of overflow chamber and to the O-ring sealing the central overflow tube to the base.

10.4.3 Other Maintenance

Table 10-2 and Figure 10-2 show the replacement parts for the flow controller assembly used in Model FCL-01. Table 10-3 and Figure 10-3 show replacement parts for the flow controller assembly used in Model FCL-02.

TABLE 10-3. Replacement parts for constant head flow controller assembly (Model FCL-01)

Location in Figure 10-2	PN	Description	Shipping Weight
1	24039-00	Flow cell for chlorine sensor with bubble shedding nozzle	1 lb/0.5 kg
2	24040-00	O-ring kit, two 2-222 and one 2-024 silicone O-rings, with lubricant	1 lb/0.5 kg
3	33812-00	Dust cap for constant head flow controller	1 lb/0.5 kg
4	9322032	Elbow, ¼ in FNPT x ¼ in OD tubing	1 lb/0.5 kg
5	9350029	Check valve, ¼ in FNPT	1 lb/0.5 kg
6	33823-00	Outside tube for constant head device	1 lb/0.5 kg

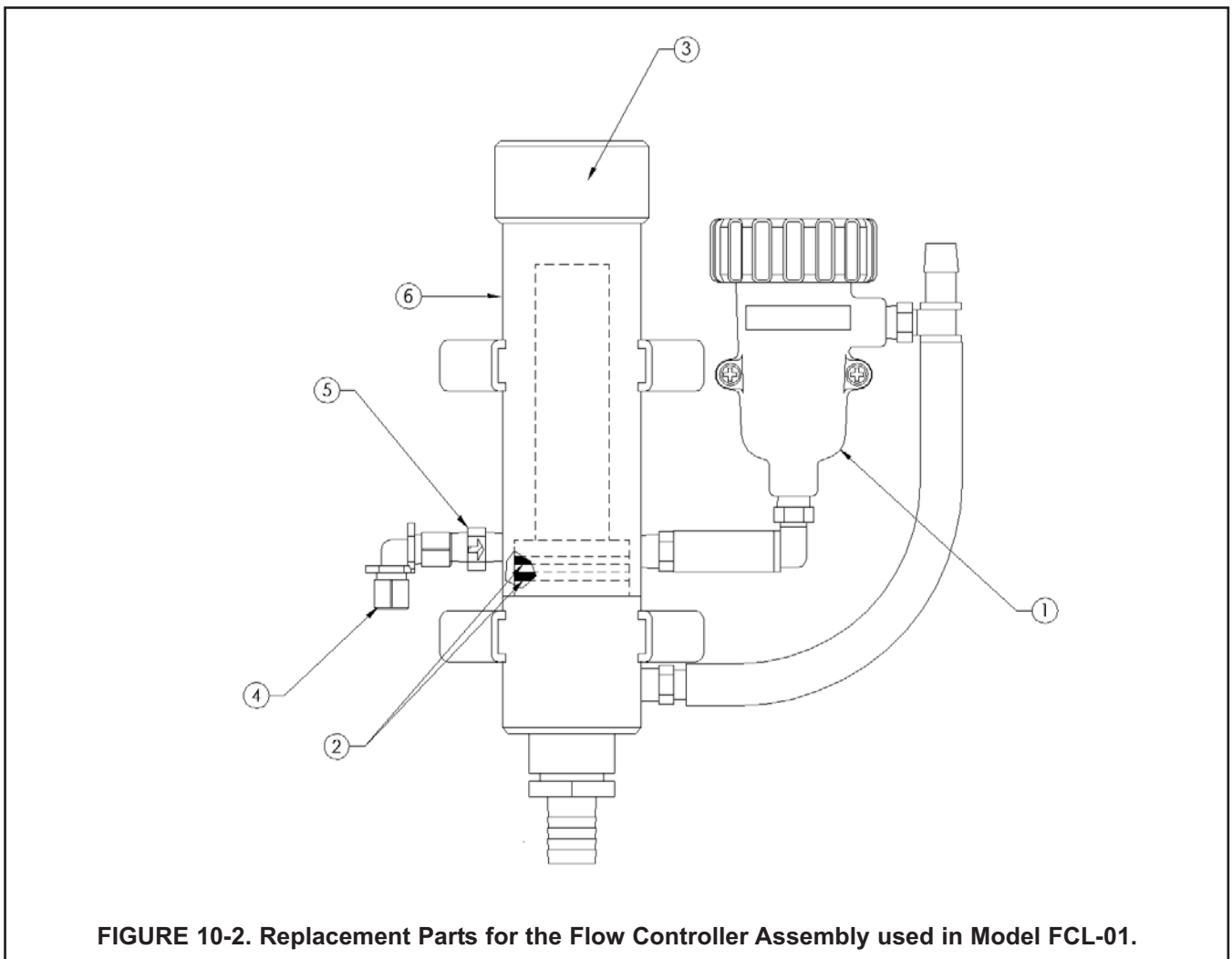
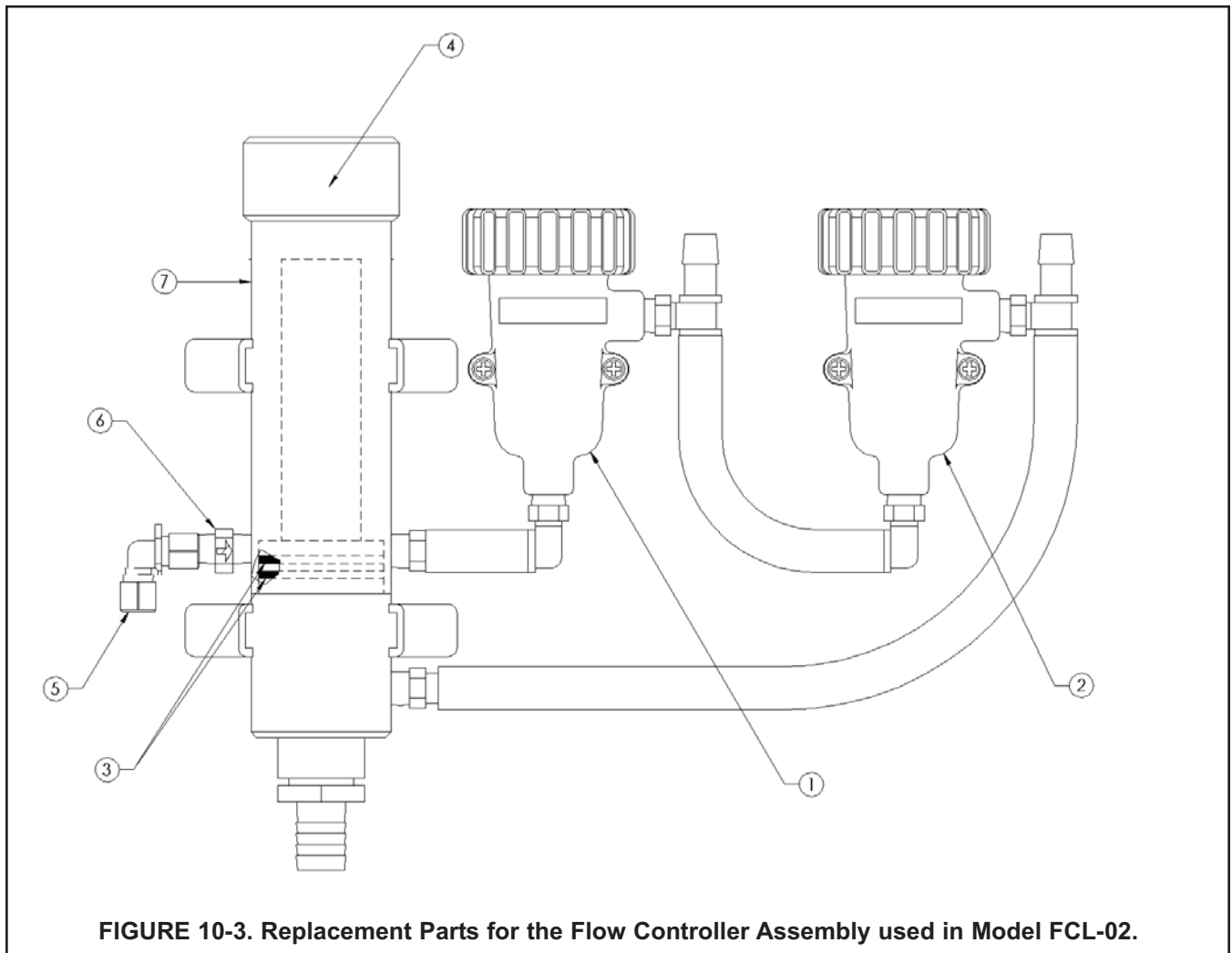


FIGURE 10-2. Replacement Parts for the Flow Controller Assembly used in Model FCL-01.

TABLE 10-4. Replacement parts for constant head flow controller assembly (Model FCL-02)

Location in Figure 10-3	PN	Description	Shipping Weight
1	24039-00	Flow cell for chlorine sensor with bubble shedding nozzle	1 lb/0.5 kg
2	24039-01	Flow cell for pH sensor	1 lb/0.5 kg
3	24040-00	O-ring kit, two 2-222 and one 2-024 silicone O-rings, with lubricant	1 lb/0.5 kg
4	33812-00	Dust cap for constant head flow controller	1 lb/0.5 kg
5	9322032	Elbow, 1/4 in FNPT x 1/4 in OD tubing	1 lb/0.5 kg
6	9350029	Check valve, 1/4 in FNPT	1 lb/0.5 kg
7	33823-00	Outside tube for constant head device	1 lb/0.5 kg



SECTION 11.0 TROUBLESHOOTING

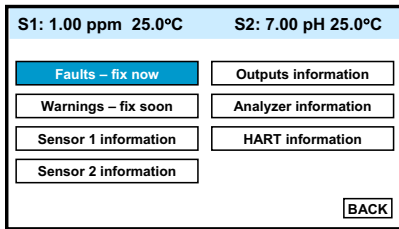
11.1 OVERVIEW

The analyzer continuously monitors itself and the sensor(s) for problems. When the analyzer identifies a problem, the word **warning** or **fault** appears intermittently at the bottom of the display. To read the fault or warning message and troubleshooting information, press INFO. See section 11.2.

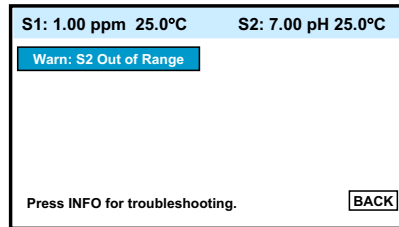
A **warning** means the instrument or sensor is usable, but steps should be taken as soon as possible to correct the condition causing the warning. Warning messages can be turned off. To turn off warning messages, go to the main menu and choose Display setup. Scroll to the Warning tab and turn off warning messages.

A **fault** means the measurement is seriously in error and is not to be trusted. A fault condition might also mean that the analyzer has failed. Fault conditions should be corrected immediately. When a fault occurs, the analog output goes to 22.00 mA or to the value programmed in Section 5.2. Fault messages cannot be turned off.

11.2 READING AND TROUBLESHOOTING FAULT AND WARNING MESSAGES



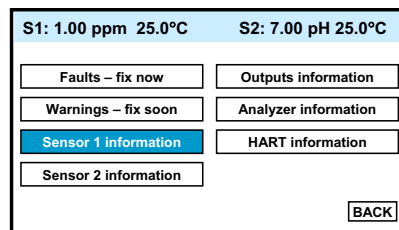
1. With the main display showing, press the INFO key. The screen at left appears. Move the cursor to the appropriate button and press ENTER/MENU.



2. A screen like the one at left will appear showing all the warning or fault messages. For troubleshooting information press the INFO key

11.3 SENSOR DIAGNOSTICS

Sensor diagnostic readings are often useful in troubleshooting measurement problems.



1. With the main display showing, press the INFO key. Move the cursor to the Sensor 1 or Sensor 2 information button and press ENTER/MENU.

2. A list of sensor diagnostics will appear. For more information about a specific diagnostic measurement, move the cursor to the diagnostic of interest and press the INFO key.

11.4 TROUBLESHOOTING CALIBRATION PROBLEMS

If a calibration attempt results in an error or a likely error, the analyzer will display the appropriate warning screen. For troubleshooting suggestions, press the INFO key.

11.5 OTHER TROUBLESHOOTING — CHLORINE

Although calibration troubleshooting information is available in the analyzer by pressing the INFO key, troubleshooting information for process measurement problems is not.

Problem	See Section
Process readings are erratic	11.5.1
Readings drift	11.5.2
Sensor does not respond to changes in chlorine level	11.5.3
Chlorine reading spikes following rapid change in pH	11.5.4

11.5.1 Process readings are erratic

1. Readings are often erratic when a new sensor or a rebuilt sensor is first placed in service. The current usually stabilizes after a few hours.
2. Are the holes between the membrane and the electrolyte reservoir open? Unscrew the membrane retainer and remove the membrane assembly. Inspect the holes at the base of the cathode stem. If they appear to be plugged, use a straightened paper clip or pin to remove blockages.
3. Verify that wiring is correct. Pay particular attention to shield and ground connections.
4. If automatic pH correction is being used, check the pH reading. If the pH reading is noisy, the chlorine reading will also be noisy. If the pH sensor is the cause of the noise, use manual pH correction until the problem with the pH sensor can be corrected. Also, refer to Section 11.6.3 and 11.6.4 for troubleshooting noisy pH readings.
5. Is the membrane in good condition and is the sensor filled with electrolyte solution? Replace the fill solution and electrolyte. Refer to Section 10.0 for details.

11.5.2 Readings drift

1. Is the sample temperature changing? The analyzer automatically corrects for changes in sensor current caused by temperature changes. The time constant for the temperature measurement is about five minutes. Therefore, the reading may drift for a while after a sudden temperature change.
2. Is the membrane clean? For the sensor to work properly, chlorine must diffuse freely through the membrane. A coating on the membrane will interfere with the passage of chlorine, resulting in slow response. Clean the membrane by rinsing it with a stream of water from a wash bottle. **DO NOT** use a tissue to wipe the membrane.
3. Is the sample flow within the recommended range? Gradual loss of sample flow will cause a downward drift. Be sure the liquid level in the constant head sampler is level with the central overflow tube and that excess sample is flowing down the tube. If necessary, disassemble and clean the overflow sampler. See Section 10.4.
4. Is the sensor new or has it been recently serviced? New or rebuilt sensors may require several hours to stabilize.
5. Is the pH of the process changing? If manual pH correction is being used, a gradual change in pH will cause a gradual change in the chlorine reading. As pH increases, chlorine readings will decrease, even though the free chlorine level (as determined by a grab sample test) remained constant. If the pH change is no more than about 0.2, the change in the chlorine reading will be no more than about 10% of reading. If the pH changes are more than 0.2, use automatic pH correction.
6. Is a bubble trapped against the membrane? For the sensor to work properly, the chlorine must continuously diffuse through the membrane. Bubbles block the chlorine in the sample from reaching the membrane, so readings drift downward as bubbles form and grow. The nozzle at the bottom of the flow cell pushes bubbles to the edges of the membrane where they do no harm. In cold samples the nozzle may not be as effective.
 - a. If bubbles are visible, confirm that they are blocking the membrane by removing the sensor from the flow cell and replacing it. Removing the sensor breaks the bubbles, so when the sensor is replaced, readings return to normal.
 - b. Confirm that the nozzle is properly positioned in the flow cell. Line up your eye with the bottom of the membrane retainer. No gap should be visible between the end of the nozzle and membrane retainer.

11.5.3 Sensor does not respond to changes in chlorine level.

1. Is the grab sample test accurate? Is the grab sample representative of the sample flowing to the sensor?
2. Is sample flowing past the sensor? Be sure the liquid level in the constant head sampler is level with the central overflow tube and that excess sample is flowing down the tube. If necessary, disassemble and clean the over flow sampler. See Section 10.4.
3. Is the pH compensation correct? If the analyzer is using manual pH correction, verify that the pH value in the analyzer equals the actual pH to within ± 0.1 pH. If the analyzer is using automatic pH correction, check the calibration of the pH sensor.
4. Is the membrane clean? Clean the membrane and replace it if necessary. Check that the holes at the base of the cathode stem are open. Unscrew the membrane retainer and remove the membrane assembly. Locate the small holes at the base of the cathode stem. Use a straightened paper clip to clear the holes. Replace the electrolyte solution.
5. Replace the sensor.

11.5.4 Chlorine readings spike following sudden changes in pH (automatic pH correction).

Changes in pH alter the relative amounts of hypochlorous acid (HOCl) and hypochlorite ion (OCl⁻) in the sample. Because the sensor responds only to HOCl, an increase in pH causes the sensor current (and the apparent chlorine level) to drop even though the actual free chlorine concentration remained constant. To correct for the pH effect, the analyzer automatically applies a correction. Generally, the pH sensor responds faster than the chlorine sensor. After a sudden pH change, the analyzer will temporarily over-compensate and gradually return to the correct value. The time constant for return to normal is about 5 minutes.

11.6 OTHER TROUBLESHOOTING — pH

Although calibration troubleshooting information is available in the analyzer by pressing the INFO key, troubleshooting information for process measurement problems is not.

Problem	See Section
Sensor does not respond to known pH changes	11.6.1
Calibration was successful, but process pH is slightly different from expected value	11.6.2
Calibration was successful, but process pH is grossly wrong or noisy	11.6.3
pH readings are moderately noisy and tend to wander	11.6.4

11.6.1 Sensor Does Not Respond to Known pH Changes.

1. Is the pH sensor responsive to buffers? Check sensor response in two buffers at least two pH units apart.
2. Did the expected pH change really occur? Use a second pH meter to verify the change.
3. Is sample flowing past the sensor? Be sure the liquid level in the constant head sampler is level with the central overflow tube and that excess sample is flowing down the tube. If necessary, disassemble and clean the over flow sampler. See Section 10.4.
4. Is the sensor properly wired to the analyzer? See Section 3.2.
5. Is the glass bulb cracked or broken? Go to sensor diagnostics and check the glass electrode impedance. See Section 11.3.
6. Is the analyzer working properly? Check the analyzer by simulating the pH input. See Section 11.9.

11.6.2 Buffer Calibration Is Acceptable, Process pH Is Slightly Different from Expected Value.

Differences between pH readings made with an on-line instrument and a laboratory or portable instrument are normal. The on-line instrument is subject to process variables, for example ground potentials, stray voltages, and orientation effects that may not affect the laboratory or portable instrument. To make the process reading agree with a referee instrument, standardize the sensor. See Section 6.5.

11.6.3 Calibration Was Successful, but Process pH Is Grossly Wrong and/or Noisy.

Grossly wrong or noisy readings suggest a ground loop (measurement system connected to earth ground at more than one point), a floating system (no earth ground), or noise being brought into the analyzer by the sensor cable. The problem arises from the process or installation. It is not a fault of the analyzer. The problem should disappear once the sensor is taken out of the system. Check the following:

1. Is a ground loop present?
 - a. Verify that the system works properly in buffers. Be sure there is no direct electrical connection between the buffer containers and the process liquid or piping.
 - b. Strip back the ends of a heavy gauge wire. Connect one end of the wire to the process piping or place it in the process liquid. Place the other end of the wire in the container of buffer with the sensor. The wire makes an electrical connection between the process and sensor.
 - c. If offsets and noise appear after making the connection, a ground loop exists.
2. Is the process grounded?
 - a. The measurement system needs one path to ground: through the process liquid and piping. Plastic piping, fiberglass tanks, and ungrounded or poorly grounded vessels do not provide a path. A floating system can pick up stray voltages from other electrical equipment.
 - b. Ground the piping or tank to a local earth ground.
 - c. If noise still persists, simple grounding is not the problem. Noise is probably being carried into the instrument through the sensor wiring.
3. Simplify the sensor wiring.
 - a. Disconnect all sensor wires at the analyzer except, IN REFERENCE, IN pH, RTD IN and RTD RETURN. See the wiring diagrams in Section 3.2.
 - b. Tape back the ends of the disconnected wires to keep them from making accidental connections with other wires or terminals.
 - c. Connect a jumper wire between the RTD RETURN and RTD SENSE terminals (see wiring diagrams in Section 3.2).
 - d. If noise and/or offsets disappear, the interference was coming into the analyzer through one of the sensor wires. The system can be operated permanently with the simplified wiring.
4. Check for extra ground connections or induced noise.
 - a. To avoid induced noise in the sensor cable, keep the unit as far away as possible from power cables, relays, and electric motors.
 - b. If ground loops persist, consult the factory. A visit from an experienced technician may be required to solve the problem.

11.6.4 pH Readings Are Moderately Noisy and Tend to Wander.

pH readings that are moderately noisy (± 0.1 pH) and tend to wander are probably caused by bubbles getting trapped against the pH sensor. Although the overflow sampler is designed to allow bubbles to escape before they reach the pH sensor and the sensor itself is designed so trapped air bubbles don't interfere with the measurement, bubbles may occasionally be a problem. Shaking the sensor will dislodge the bubbles. If bubbles remain a problem, call the factory.

11.7 OTHER TROUBLESHOOTING — GENERAL

Problem	See Section
Current output is too low	11.7.1
Alarm relays do not operate properly	11.7.2

11.7.1 Current Output Is Too Low.

Load resistance is too high. Maximum is 550Ω.

11.7.2 Alarm Relays Do Not Operate Properly

1. Verify the relays are properly wired.
2. Verify the relays are properly configured.

11.8 SIMULATING INPUTS — CHLORINE

To check the performance of the analyzer, use a decade box and 1.5V battery to simulate the current from the sensor. The battery, which opposes the polarizing voltage, is necessary to ensure that the sensor current has the correct sign.

1. Disconnect the anode and cathode leads from terminals 8 and 10 on TB1 and connect a decade box and 1.5V battery as shown in Figure 11-1. It is not necessary to disconnect the RTD leads.
2. Set the decade box to 2.8MΩ.
3. Note the sensor current. It should be about 500 nA. The actual value depends on the voltage of the battery. To view the sensor current, go to the main display and press INFO. Choose sensor 1 information. The input current is the second line in the display. Change the decade box resistance and verify that the correct current is shown. Calculate current from the equation:

$$\text{current (nA)} = \frac{V_{\text{battery}} - 200 \text{ (voltages in mV)}}{\text{resistance (M}\Omega\text{)}}$$

The voltage of a fresh 1.5 volt battery is about 1.6 volt (1600 mV).

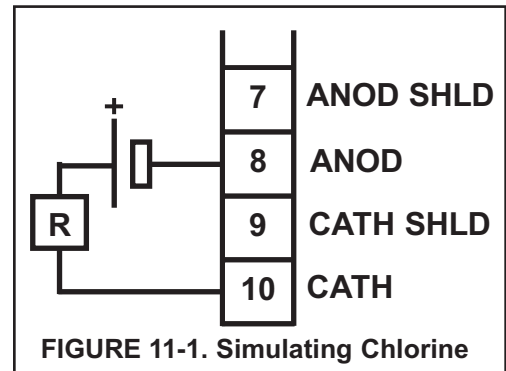


FIGURE 11-1. Simulating Chlorine

11.9 SIMULATING INPUTS — pH

11.9.1 General

This section describes how to simulate a pH input into the analyzer. To simulate a pH measurement, connect a standard millivolt source to the analyzer. If the analyzer is working properly, it will accurately measure the input voltage and convert it to pH.

11.9.2 Simulating pH input.

1. Set automatic temperature correction to manual and set manual temperature to 25°C. See Section 5.5
2. Disconnect the sensor and connect a jumper wire between the IN REFERENCE and IN pH terminals.
3. Press INFO and choose sensor 2 information (pH). The input voltage should be 0 mV and the pH should be 7.00. Because calibration data stored in the analyzer may be offsetting the input voltage, the displayed pH may not be exactly 7.00.
4. If a standard millivolt source is available, disconnect the jumper wire between IN REFERENCE and IN pH and connect the voltage source as shown in Figure 11-2. Be sure to jumper the IN REFERENCE and GND SOL terminals.
5. Calibrate the analyzer using the manual buffer procedure. Use 0.0 mV for Buffer 1 (pH 7.00) and -177.4 mV for Buffer 2 (pH 10.00). If the analyzer is working properly it should accept the calibration. The slope should be 59.16 mV/pH and the offset should be zero.
6. To check linearity, set the voltage source to the values shown in the table and verify that the pH and millivolt readings match the values in the table.

Voltage (mV)	pH (at 25°)
295.8	2.00
177.5	4.00
59.2	6.00
-59.2	8.00
-177.5	10.00
-295.8	12.00

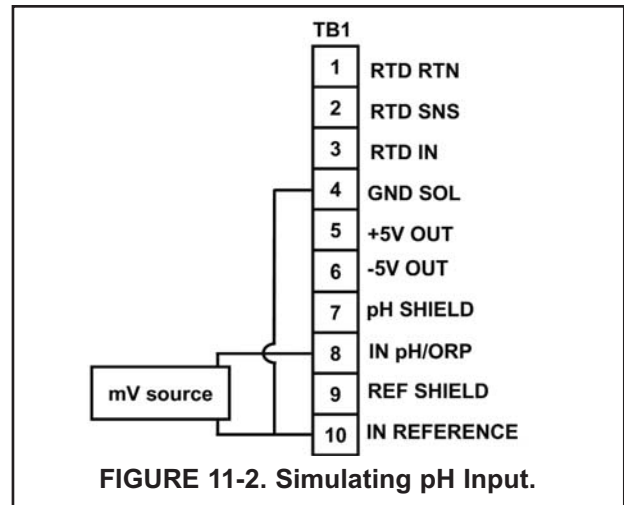


FIGURE 11-2. Simulating pH Input.

11.10 SIMULATING INPUTS — TEMPERATURE

11.10.1 General.

The analyzer accepts a Pt100 RTD (for pH and chlorine sensors). The Pt100 RTD is in a three-wire configuration. See Figure 9-5.

11.10.2 Simulating temperature

To simulate the temperature input, wire a decade box to the analyzer as shown in Figure 11-4.

To check the accuracy of the temperature measurement, set the resistor simulating the RTD to the values in the table and note the temperature readings. The measured temperature might not agree with the value in the table. During sensor calibration an offset might have been applied to make the measured temperature agree with a standard thermometer. The offset is also applied to the simulated resistance. The analyzer is measuring temperature correctly if the difference between measured temperatures equals the difference between the values in the table to within $\pm 0.1^\circ\text{C}$.

For example, start with a simulated resistance of 103.9 Ω , which corresponds to 10.0°C. Assume the offset from the sensor calibration was -0.3 Ω . Because of the offset, the analyzer calculates temperature using 103.6 Ω . The result is 9.2°C. Now change the resistance to 107.8 Ω , which corresponds to 20.0°C. The analyzer uses 107.5 Ω to calculate the temperature, so the display reads 19.2°C. Because the difference between the displayed temperatures (10.0°C) is the same as the difference between the simulated temperatures, the analyzer is working correctly.

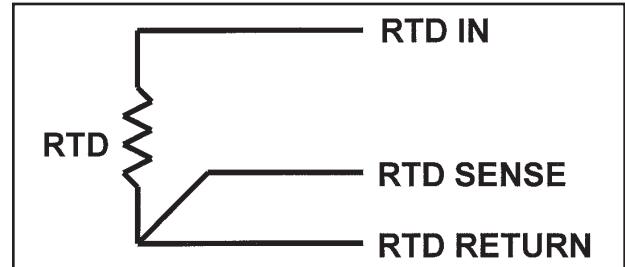


FIGURE 11-3. Three-Wire RTD Configuration.

Although only two wires are required to connect the RTD to the analyzer, using a third (and sometimes fourth) wire allows the analyzer to correct for the resistance of the lead wires and for changes in the lead wire resistance caused by changes in ambient temperature.

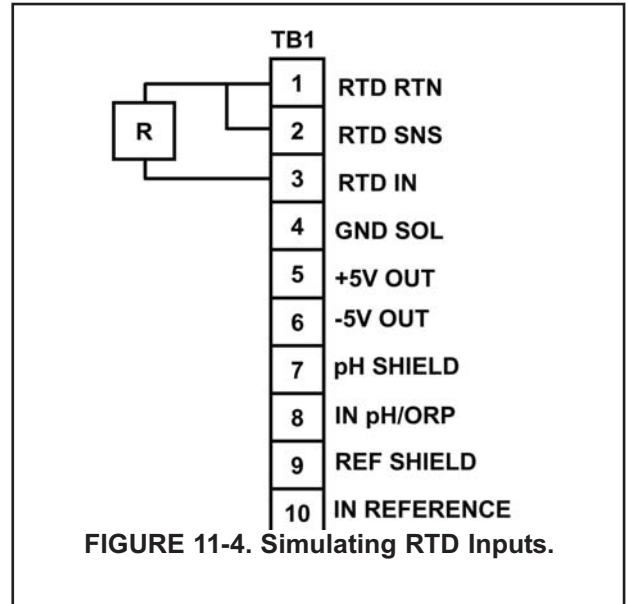


FIGURE 11-4. Simulating RTD Inputs.

Temp. (°C)	Pt 100 (Ω)
0	100.0
10	103.9
20	107.8
25	109.7
30	111.7
40	115.5
50	119.4
60	123.2
70	127.1
80	130.9
85	132.8
90	134.7
100	138.5

NOTES

NOTES

The right people, the right answers, right now.

Immediate, Reliable Analytical Support

Now there's a way to quickly get the right answers for your liquid analytical instrumentation questions: the Analytical Customer Support Center.

Our staff of trained professionals is ready to provide the information you need. If you are placing an order, verifying delivery, requesting application information, or just want to contact a Rosemount Analytical representative, a call to the Customer Support Center will provide you with the right people, the right answers, right now.

A Worldwide Network of Sales and Service

Emerson Process Management's field sales offices are your source for more information on the full line of Rosemount Analytical products. Field sales personnel will work closely with you to supply technical data and application information.

For more information, please contact your nearest Emerson Process Management sales office.

THE AMERICAS - HEADQUARTERS

Emerson Process Management
Rosemount Analytical Inc.
Liquid Center of Excellence
2400 Barranca Parkway
Irvine, CA 92606
Phone: +1.949.757.8500
Toll Free: +1.800.854.8257
Fax: +1.949.474.7250

GERMANY

Emerson Process Management
Process Gas Analyzer Center of
Excellence
GmbH & Co. OHG
Industriestrasse 1
63594 Hasselroth
Germany
T 49.6055.884.0
F 49.6055.884.20

ASIA-PACIFIC

Emerson Process Management
Asia Pacific Private Ltd.
1 Pandan Crescent
Singapore 0512
Republic of Singapore
Phone: 65.777.8211
Fax: 65.777.0947

LATIN AMERICA

Emerson Process Management
Rosemount Analytical
10241 West Little York, Suite
#200 Houston, TX 77040 USA
T 713.467.6000
F 713.827.3328

EUROPE

Emerson Process Management
Heath Place
Bognor Regis
West Sussex PO22 9SH
England
Phone: 44.1243.863121
Fax: 44.1243.845354

MIDDLE EAST AND AFRICA

Emerson Process Management
EPM Building
P. O. Box 17033
Jebe Ali Free Zone
Dubai, United Arab Emirates
T 971.4.8835235
F 971.4.8835312

VISIT OUR WEBSITE AT
www.rosemountanalytical.com



WARRANTY

Seller warrants that the firmware will execute the programming instructions provided by Seller, and that the Goods manufactured or Services provided by Seller will be free from defects in materials or workmanship under normal use and care until the expiration of the applicable warranty period. Goods are warranted for twelve (12) months from the date of initial installation or eighteen (18) months from the date of shipment by Seller, whichever period expires first. **Consumables, such as glass electrodes, membranes, liquid junctions, electrolyte, o-rings, catalytic beads, etc., and Services are warranted for a period of 90 days from the date of shipment or provision.**

Products purchased by Seller from a third party for resale to Buyer ("Resale Products") shall carry only the warranty extended by the original manufacturer. Buyer agrees that Seller has no liability for Resale Products beyond making a reasonable commercial effort to arrange for procurement and shipping of the Resale Products.

If Buyer discovers any warranty defects and notifies Seller thereof in writing during the applicable warranty period, Seller shall, at its option, promptly correct any errors that are found by Seller in the firmware or Services, or repair or replace F.O.B. point of manufacture that portion of the Goods or firmware found by Seller to be defective, or refund the purchase price of the defective portion of the Goods/Services.

All replacements or repairs necessitated by inadequate maintenance, normal wear and usage, unsuitable power sources, unsuitable environmental conditions, accident, misuse, improper installation, modification, repair, storage or handling, or any other cause not the fault of Seller are not covered by this limited warranty, and shall be at Buyer's expense. Seller shall not be obligated to pay any costs or charges incurred by Buyer or any other party except as may be agreed upon in writing in advance by an authorized Seller representative. All costs of dismantling, reinstallation and freight and the time and expenses of Seller's personnel for site travel and diagnosis under this warranty clause shall be borne by Buyer unless accepted in writing by Seller.

Goods repaired and parts replaced during the warranty period shall be in warranty for the remainder of the original warranty period or ninety (90) days, whichever is longer. This limited warranty is the only warranty made by Seller and can be amended only in a writing signed by an authorized representative of Seller. Except as otherwise expressly provided in the Agreement, THERE ARE NO REPRESENTATIONS OR WARRANTIES OF ANY KIND, EXPRESS OR IMPLIED, AS TO MERCHANTABILITY, FITNESS FOR PARTICULAR PURPOSE, OR ANY OTHER MATTER WITH RESPECT TO ANY OF THE GOODS OR SERVICES.

RETURN OF MATERIAL

Material returned for repair, whether in or out of warranty, should be shipped prepaid to:

**Emerson Process Management
Rosemount Analytical
2400 Barranca Parkway
Irvine, CA 92606**

The shipping container should be marked:

Return for Repair

Model _____

The returned material should be accompanied by a letter of transmittal which should include the following information (make a copy of the "Return of Materials Request" found on the last page of the Manual and provide the following thereon):

1. Location type of service, and length of time of service of the device.
2. Description of the faulty operation of the device and the circumstances of the failure.
3. Name and telephone number of the person to contact if there are questions about the returned material.
4. Statement as to whether warranty or non-warranty service is requested.
5. Complete shipping instructions for return of the material.

Adherence to these procedures will expedite handling of the returned material and will prevent unnecessary additional charges for inspection and testing to determine the problem with the device.

If the material is returned for out-of-warranty repairs, a purchase order for repairs should be enclosed.



*The right people,
the right answers,
right now.*

**ROSEMOUNT ANALYTICAL
CUSTOMER SUPPORT CENTER
1-800-854-8257**



Credit Cards for U.S. Purchases Only.



ON-LINE ORDERING NOW AVAILABLE ON OUR WEB SITE
<http://www.rowsemountanalytical.com>

Specifications subject to change without notice.

Emerson Process Management

2400 Barranca Parkway
Irvine, CA 92606 USA
Tel: (949) 757-8500
Fax: (949) 474-7250

<http://www.rosemountanalytical.com>

© Rosemount Analytical Inc. 2012

