



MILLENNIUM II



: SC310X-100-ASSY

ISO 9001:2000



: MAN-0084 . 1
2008 .

Monitoring Inc.

Net Safety

Monitoring Inc.

, Net Safety Monitoring Inc.

Net Safety

Net Safety Monitoring Inc.

Net Safety Monitoring Inc.

60

, Net Safety Monitoring Inc.

Net Safety Monitoring Inc.

Net Safety Monitoring Inc.

www.net-safety.com

Net Safety Monitoring Incorporated
Corporate Headquarters
2721 Hopewell Place NE
Calgary, AB Canada T1Y 7J7

: (403) 219-0688

: (403) 219-0694

E-mail: info@net-safety.com

- : www.net-safety.com

	5
	5
	5
	6
1.	8
1.1	8
1.2	8
1.3	8
2.	9
2.1	9
2.2	9
2.3	9
2.3.1	9
	9
2.3.2	10
3.	10
3.1	10
3.2	10
3.3	10
3.4	<i>SensorGuard</i>	11
4.	11
4.1	11
4.1.1	11
4.1.2	Modbus	11
5/	12
5.1	12
5.1.1	Millenium II Basic	12
5.1.2	Millenium II	15
5.1.3	17
5.2	17
5.3	18
5.4	/	18
5.5	19

.....	20
A: , (ESD).....	20
B:	21
: Millennium II	22

Millennium II.

« »

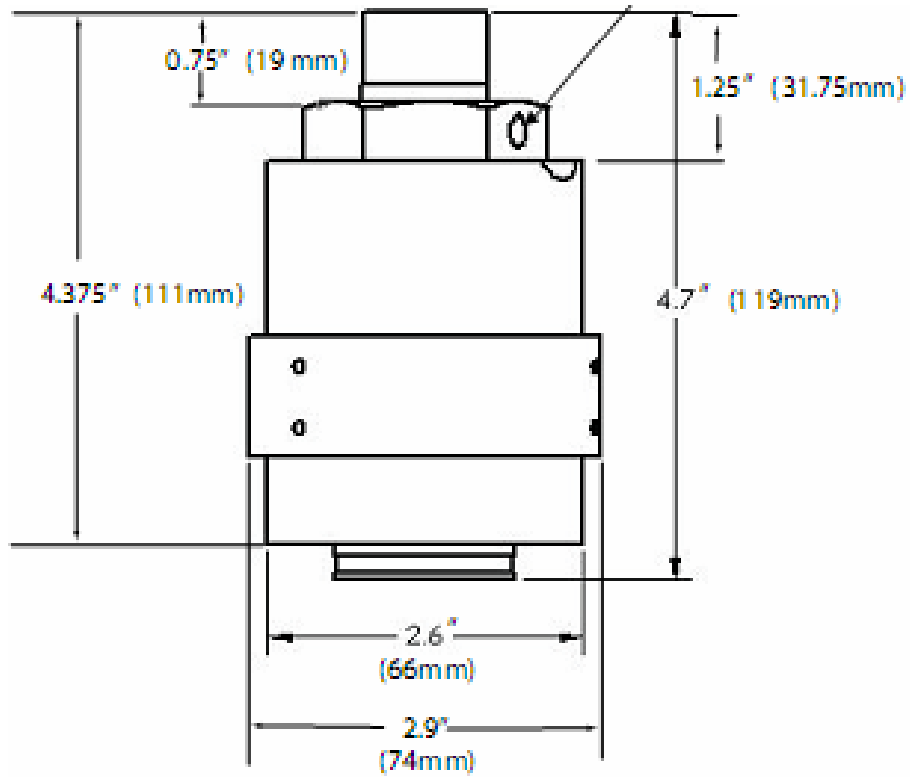
Millennium II.

« »

1:

:

(mm).



Basic

Millenium II

Millenium II
(AL)

1: Millennium II () () ()

Millennium II	A		B		C		D		E		F		G		H	
(AL)	6.3	160	5.6	142	5.4	137	9.7	246	6.0	152	5.7	145	2.6	66	2.9	74
()	5.9	150	5.9	130	4.6	117	8.9	226	6.0	152	5.8	147	2.6	66	2.9	74

2: Millennium II Basic (J) () ()

Millennium II Basic	A		B		C		D		E		F		G		H	
(AL)	4.8	122	3.6	91	3.6	91	4.8	122	5.1	130	0.3	7.6	2.6	66	2.9	74
()	4.7	119	3.6	91	3.6	91	4.7	119	5.1	130	0.3	7.6	2.6	66	2.9	74

2()

Millennium II Basic	I		J	
	3.0	76	9.0	229
	2.8	71	8.9	226

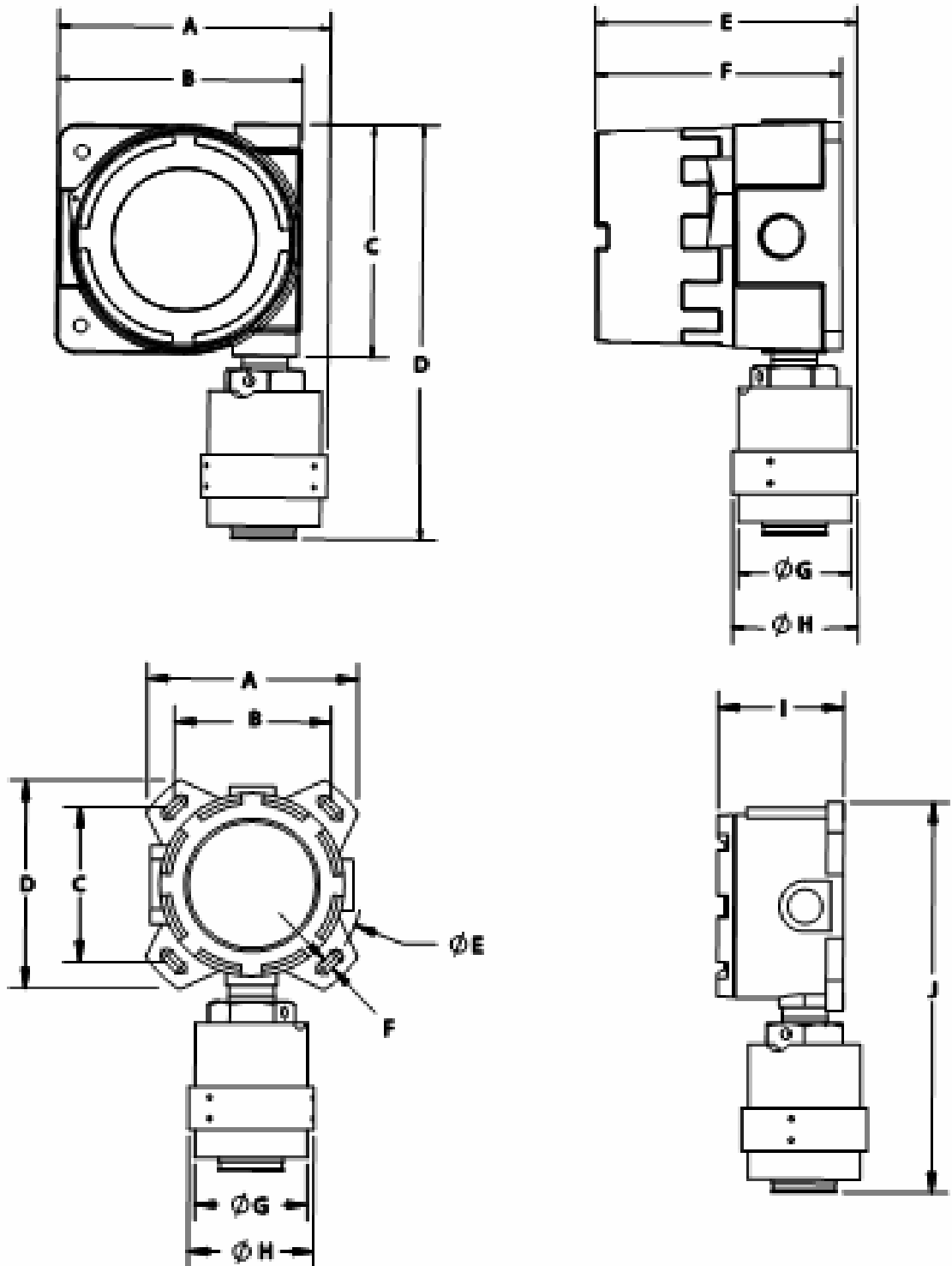
2

Millenium II

Millenium II Basic

2:

Millenium II



1.

1.1

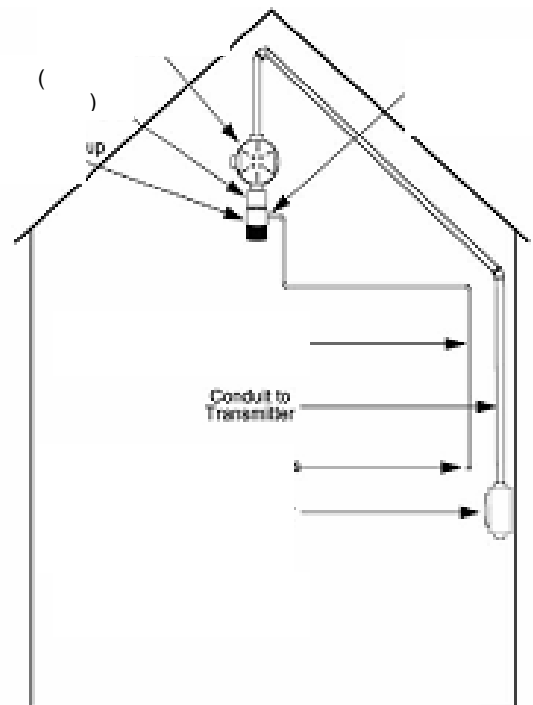
-
-
-
-
-
-
-

1.2

1.3

«
».

3:



2.

2.1

Net Safety Monitoring.

2.2

3/4"

2.3

2.1



85°C.

5°C

ATEX

IEC 61000-1, IEC 61000-4 EMI MIL-W16878D
B/N.

« ».

16AWG

(B).

610

1.

3/4"

2.3.2



).

(

,

,



(ESD).

3.

3.

Millenium II

		+Vdc	SigA	SigB	COM	Shld
		10.,5-32			/	

:

Net

Safety
(MAN-0081).

3.

3.1

HART dip-

Millennium II Basic.
/HART.

Millennium II

Millennium

3.2

30-

Millennium II.

3.3

SC310

Millennium

II.
Millennium II.

dip-

3.4

SensorGuard

SensorGuard

100%

SensorGuard

4:

4.1

Millennium II

4.1.1

RS 485 Modbus (RTU)

Millennium.
HART.
Millennium II.

4.1.2 Modbus

4

Modbus,

4: Modbus

40001		X	
40002		X	
40003		X	
40101			X
40102			X
40104			X

* : Millennium Basic «1» 40102
 «1» 40104

5.

5.1

Millennium II Basic Millennium II

5.1.1

Millenium II Basic.

(), 5, DIP- 2 1. Custom 50%

5: / DIP- 2

Dip- 2				
1	2	3	4	(-)
				Custom ()

HART- (). (« - »), /HART. () 6 7 , 50% % , .

6: K- (ISA) (2,5%

	2.1%	1.8
n-	1.8%	2.0
	1.8%	2.1
	4.0%	1.2
	3.0%	1.4
	1.4%	2.2
	1.2%	2.3
	1.1%	2.7
	2.7%	1.5
	2.4%	1.5
	6.7%	1.2
	3.3%	1.7

7: K- (IEC) (2,2%

	1.7%	2.0
n-	1.4%	1.9
	1.8%	1.7
	4.0%	1.2
	2.5%	1.5
	1.4%	1.9
	1.0%	2.5
	1.1%	2.4
	2.3%	1.6
	2.0%	1.6
	5.5%	1.3
	3.1%	1.6

- /
1. (/ LED
 2. ().
 3. ()
 4. « » (15 , LED (),
 5. 3 A (), LED (),
 6. : 0,5
 7. 3,3 A (), LED (50%).
 8. : 0,5
 9. 3,6 A (), LED
 10. ()
 11. .
- : Millenium II Basic 50% (). HART HART /HART. / HART . Millenium II Basic (MAN-0082).

5.1.2

Millenium II

Millennium II

- 1. ()
- 2. "Select Gas type ()".
- 3. 'Ch1: No correction' 'Ch2: No Correction'.
- 4. () "Exit"
- 5. «cal.gas value() 50% () 10% 60%).
- 6. «select gas type» () «Custom»
- 7. «Custom», () 3
- 8. «Enter K-Factor ()». () 1 () 1
- 9. "Exit". 6 7
- 10. () 50% () «cal.gas value() 10% 60%).

/

- 1.)”, ‘ **1**(’ **1**) *“enter Main menu
“yes”()*
- 2. **3** 3). “Calibrate Sensor?” (?), (
- 3. **3** 3), “Calibrate Sensor #1?” (1?), (
- 4. **2**, (**2** **2**)
“Calibrate Sensor #2?”
- 5. (1 2), (**3** **3**).
- 6. “YES” (**1** **1**)
- 7. **1** **1**), “Apply Clean Air” (). “Z & Span”, (
“Setting zero”.().)
- 8. 50% (%)
- 9. “Spanning” (%).
- 10. “Remove Cal Gas”.
- 11. “Cal Complete”.
- 12. ()

: .
HART.

5.1.3

... / ...
()
...
(). :

5.2

- 1.
- 2.
- 3.
- 4.
- 5.
- 6.
- 7.
- 8.

5.3

/

Net Safety

5.4

/

6.

	Net Safety
/	CCS-1
	JB-MPNS-A (), JB-MPNS-S () 316)
	DSC-1
	SC310-100

5.5

Authorization number). (Material Return
(403) 219-0688 Net Safety Monitoring

- 1. (Net Safety).
- 2. ,
- 3. ,
- 4. - ,
- 5. : Net Safety Monitoring Inc., 2721 Hopewell Place NE,
Calgary, Alberta, Canada, T1Y 7J7
- 6. : RETURN for REPAIR ().
- 7. : Equipment being returned
for repair All charges to be billed to the sender (,)

1-4,

(ESD) A: ,

:

!

—

:

-
-
-
-
-
-





B.

()	AWG #20	AWG#18	AWG#16	AWG#14	AWG#12	AWG#10	AWG#8
30.5	1.02	0.64	0.40	0.25	0.16	0.10	0.06
61	2.03	1.28	0.80	0.51	0.32	0.20	0.13
91.5	3.05	1.92	1.20	0.76	0.48	0.30	0.19
122	4.06	2.55	1.61	1.01	0.64	0.40	0.25
152.5	5.08	3.20	2.01	1.26	0.79	0.50	0.31
183	6.09	3.83	2.41	1.52	0.95	0.60	0.38
213.5	7.11	4.47	2.81	1.77	1.11	0.70	0.44
244	8.12	5.11	3.21	2.02	1.27	0.80	0.50
274.5	9.14	5.75	3.61	2.27	1.43	0.90	0.57
305	10.20	6.39	4.02	2.53	1.59	1.09	0.63
381	12.70	7.99	5.03	3.16	1.99	1.25	0.79
457.5	15.20	9.58	6.02	3.79	2.38	1.50	0.94
534	17.80	11.20	7.03	4.42	2.78	1.75	1.10
610	20.30	12.80	8.03	5.05	3.18	2.00	1.26
686	22.80	14.40	9.03	5.68	3.57	2.25	1.41
762.5	25.40	16.00	10.00	6.31	3.97	2.50	1.57
915	30.50	19.20	12.00	7.58	4.76	3.00	1.88
1067.5	35.50	22.40	14.10	8.84	5.56	3.50	2.21
1220	40.60	25.50	16.10	10.00	6.35	4.00	2.51
1372.5	45.70	28.70	18.10	11.40	7.15	4.50	2.82
1525	50.10	32.00	20.10	12.60	7.94	5.00	3.14
1677.5	55.80	35.10	22.10	13.91	8.73	5.50	3.46
1830	61.00	38.30	24.10	15.20	9.53	6.00	3.77
1982.5	66.00	41.50	26.10	16.40	10.30	6.50	4.08
2135	71.10	44.70	28.10	17.70	11.10	7.00	4.40
2287.5	76.10	47.90	30.10	19.00	12.00	7.49	4.71
2440	81.20	51.10	33.10	20.20	12.70	7.99	5.03
2745	91.40	57.50	36.10	22.70	14.30	8.99	5.65
3050	102.00	63.90	40.20	25.30	15.90	9.99	6.28

C:

-

Millennium II

	(10.5 – 32 .) < 1.5
	10,5 32,0 .
	: 150 170 450 470 ,5 FM- 1 ; : IEC 61000-1-4 IEC 61000-4-3 2
	T50 < 5 . T60 < 6 . T90 < 8 .
	+/- 2%
	+/- 1%
	: -55°C +85°C : -40°C +75°C
	0 - 99%
	316
IP	IP64
	600
	DNV ATEX:  0575  II2 G EEx d IIB+H2, T4, IP64

Net Safety Monitoring Inc.
2721 Hopewell Place NE, Calgary, AB Canada T1Y 7J7
1-866-FIREGAS (347-3427). (403) 219-0688. (403) 219-0694
<http://www.net-safety.com> info@net-safety.com

[8:00 – 17:00]: (403) 769-6074; (403) 717-8219.
: (403) 219-0694 Email: productservices@net-safety.com
http://www.net-safety.com/service/product_services.html

