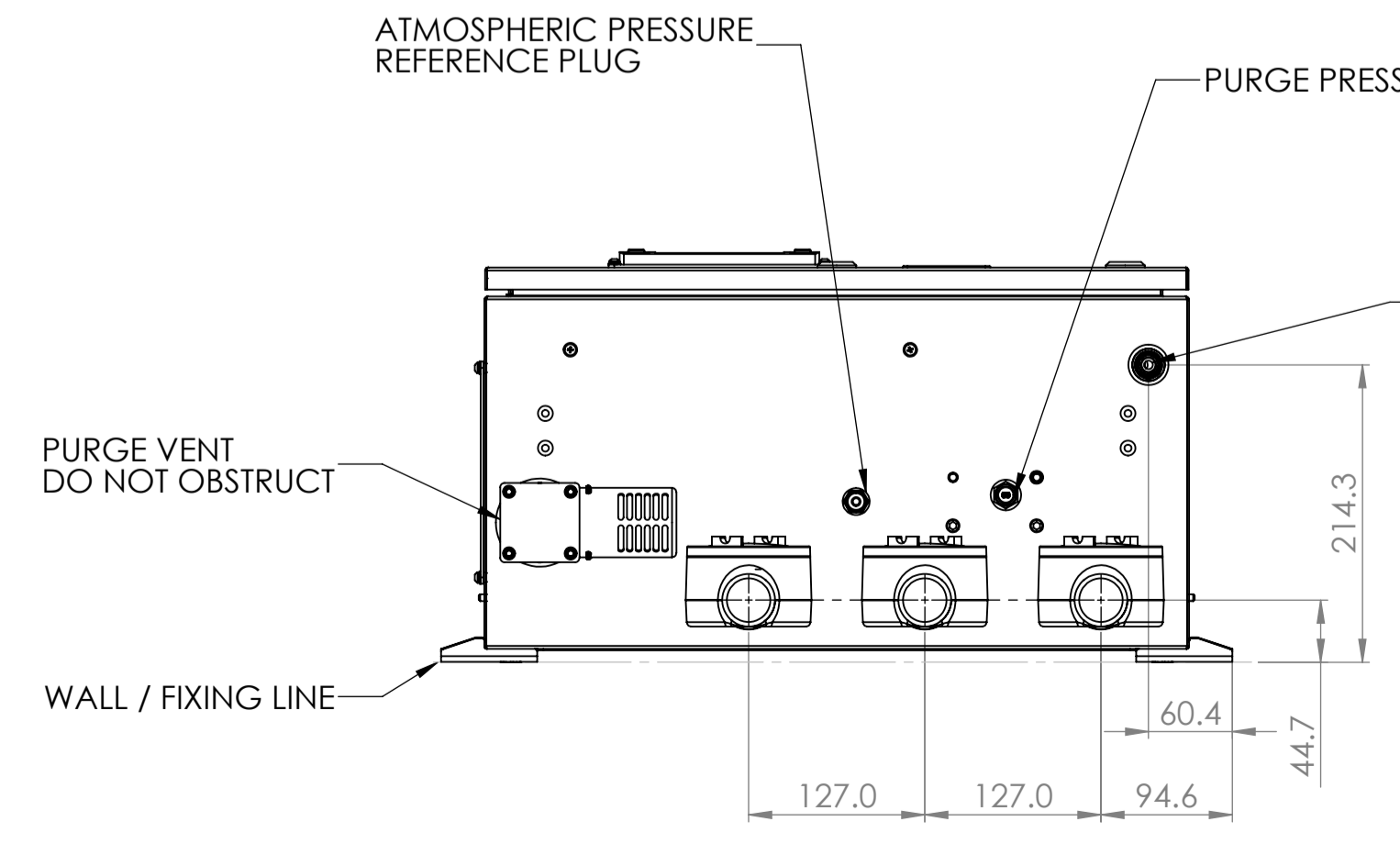
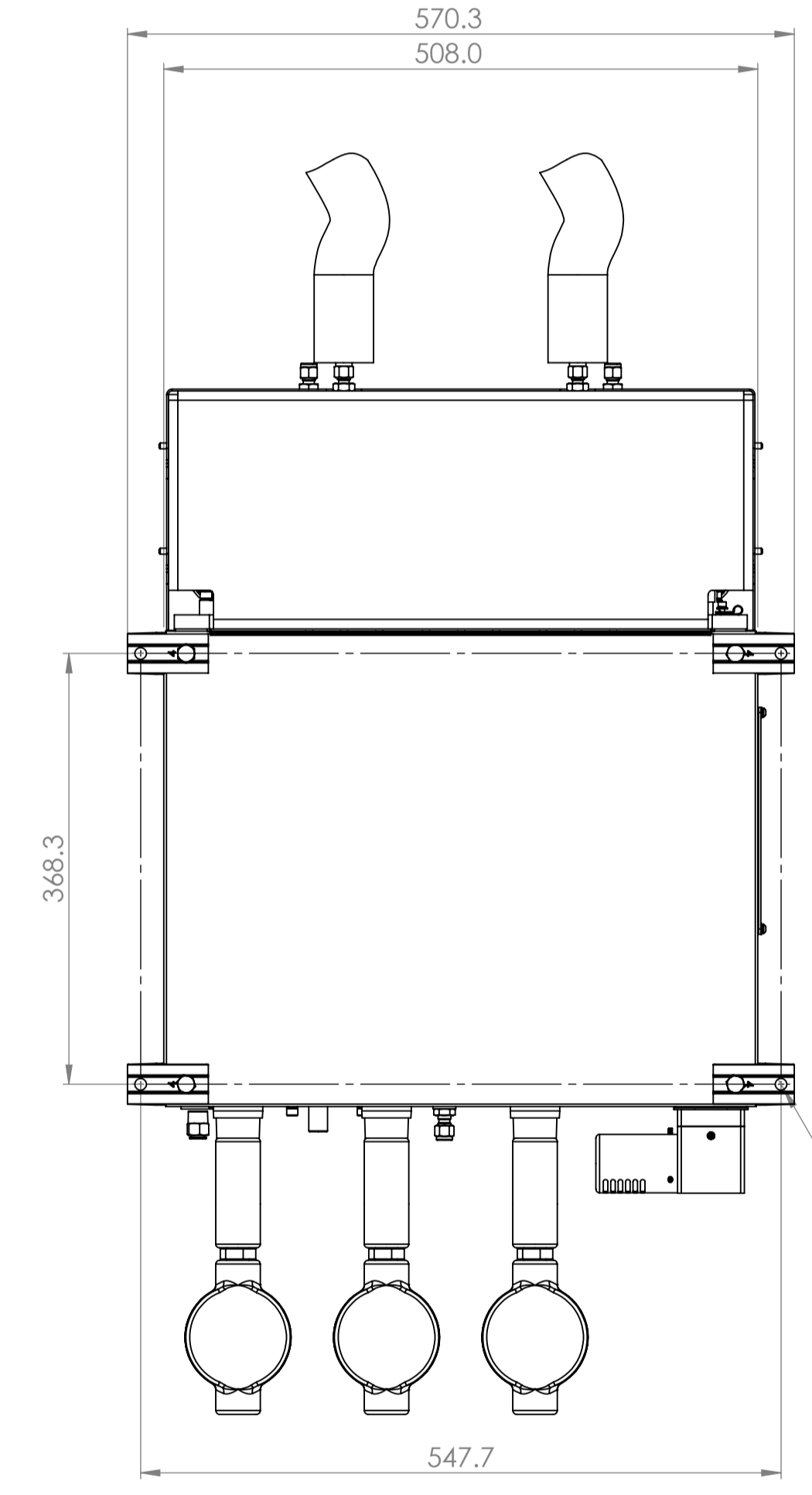
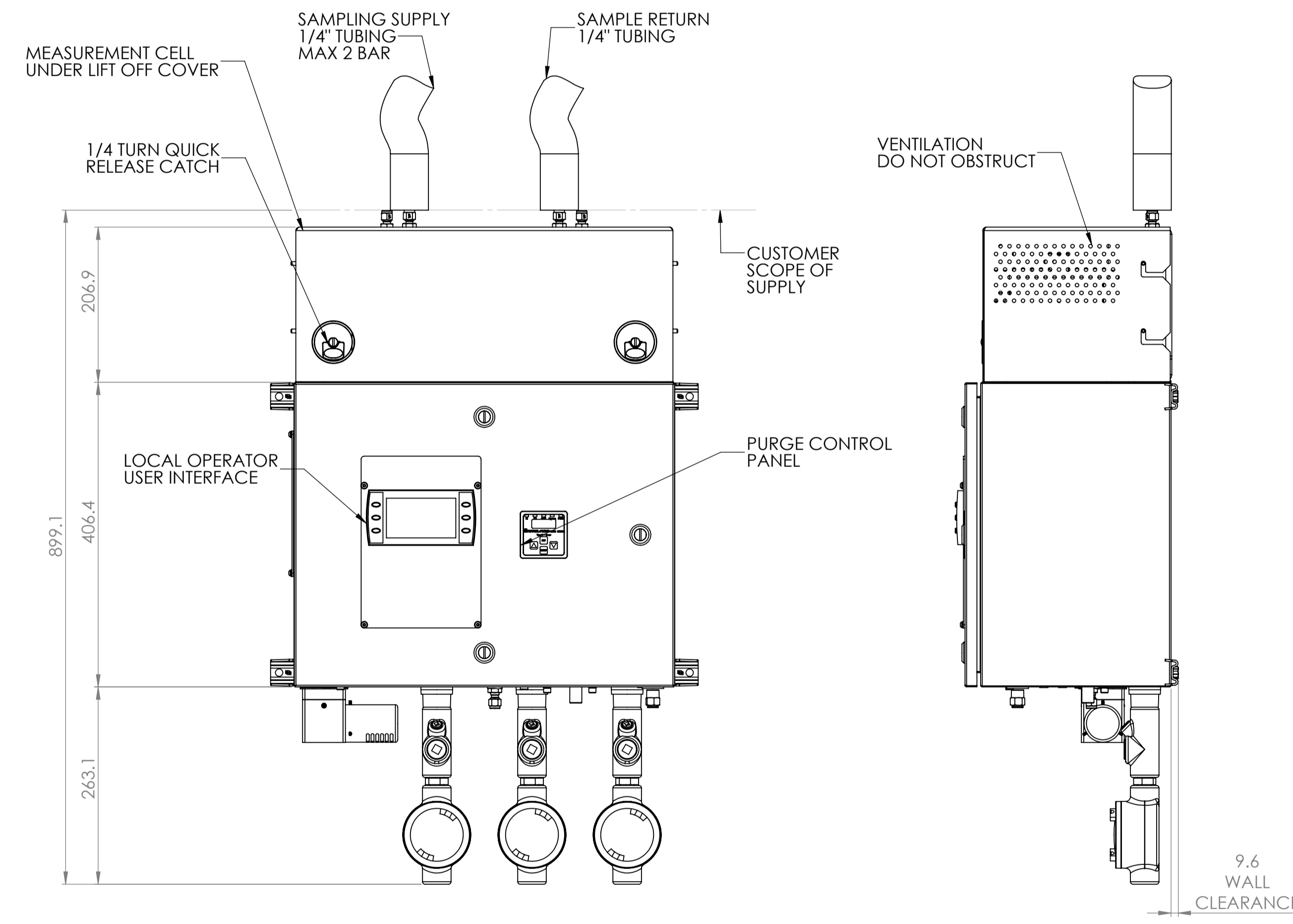
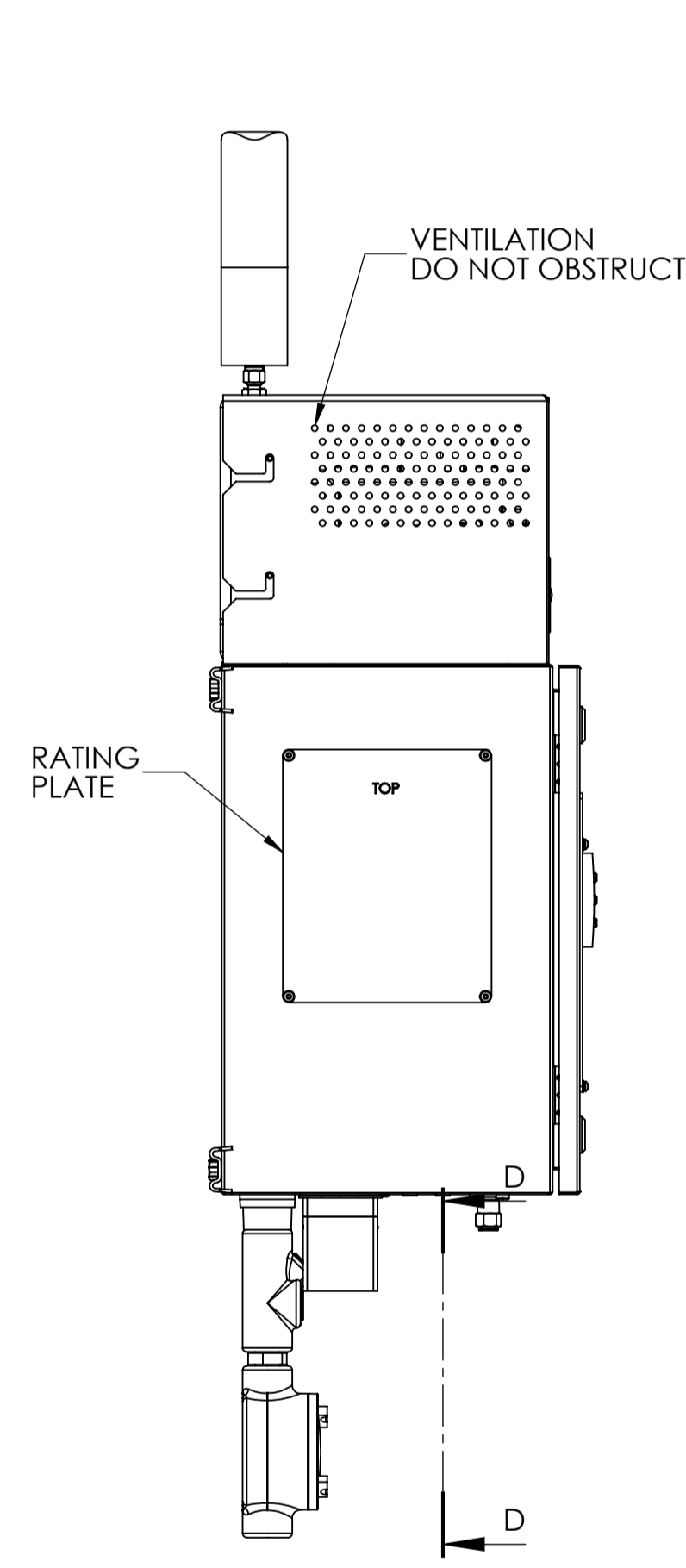
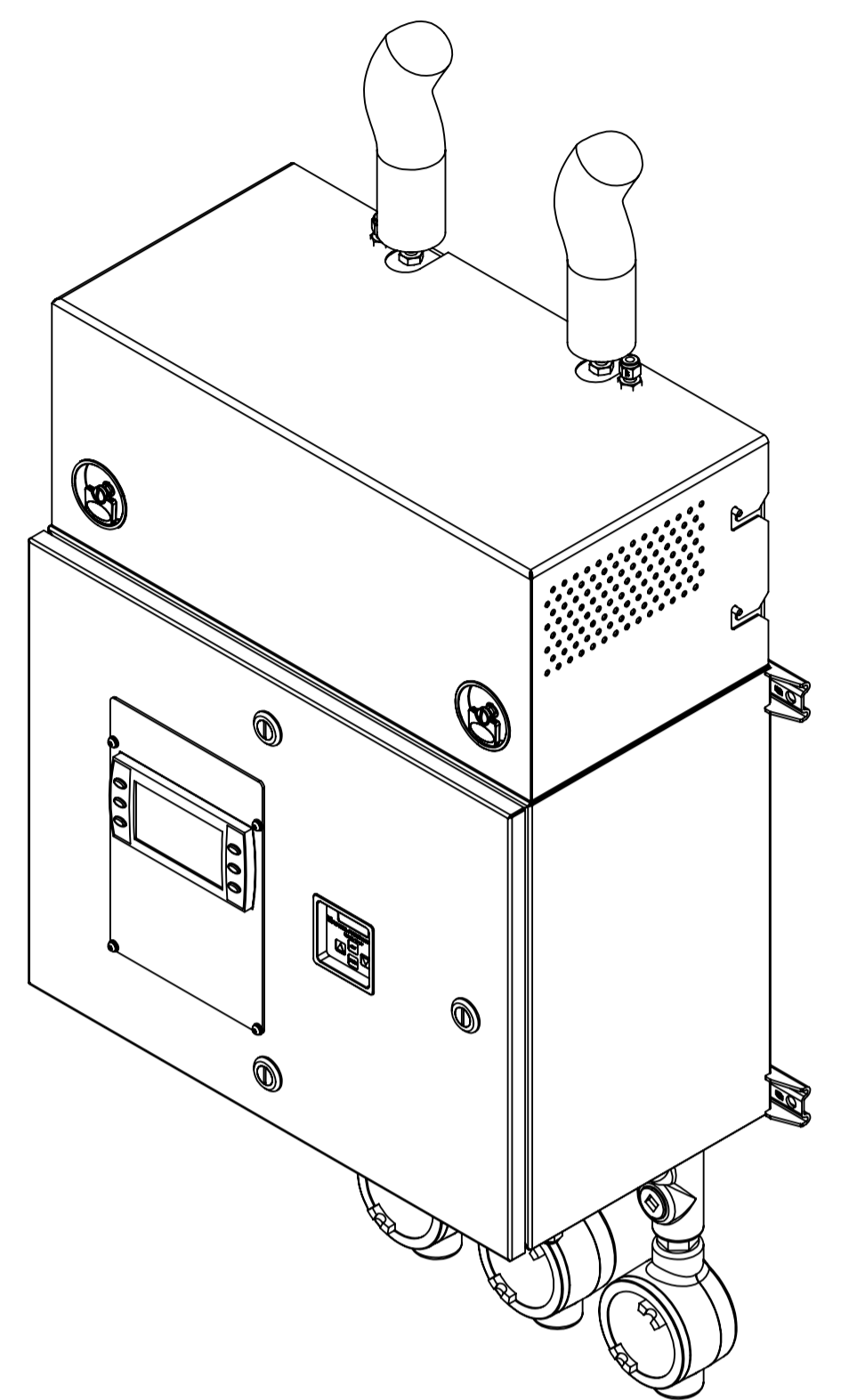
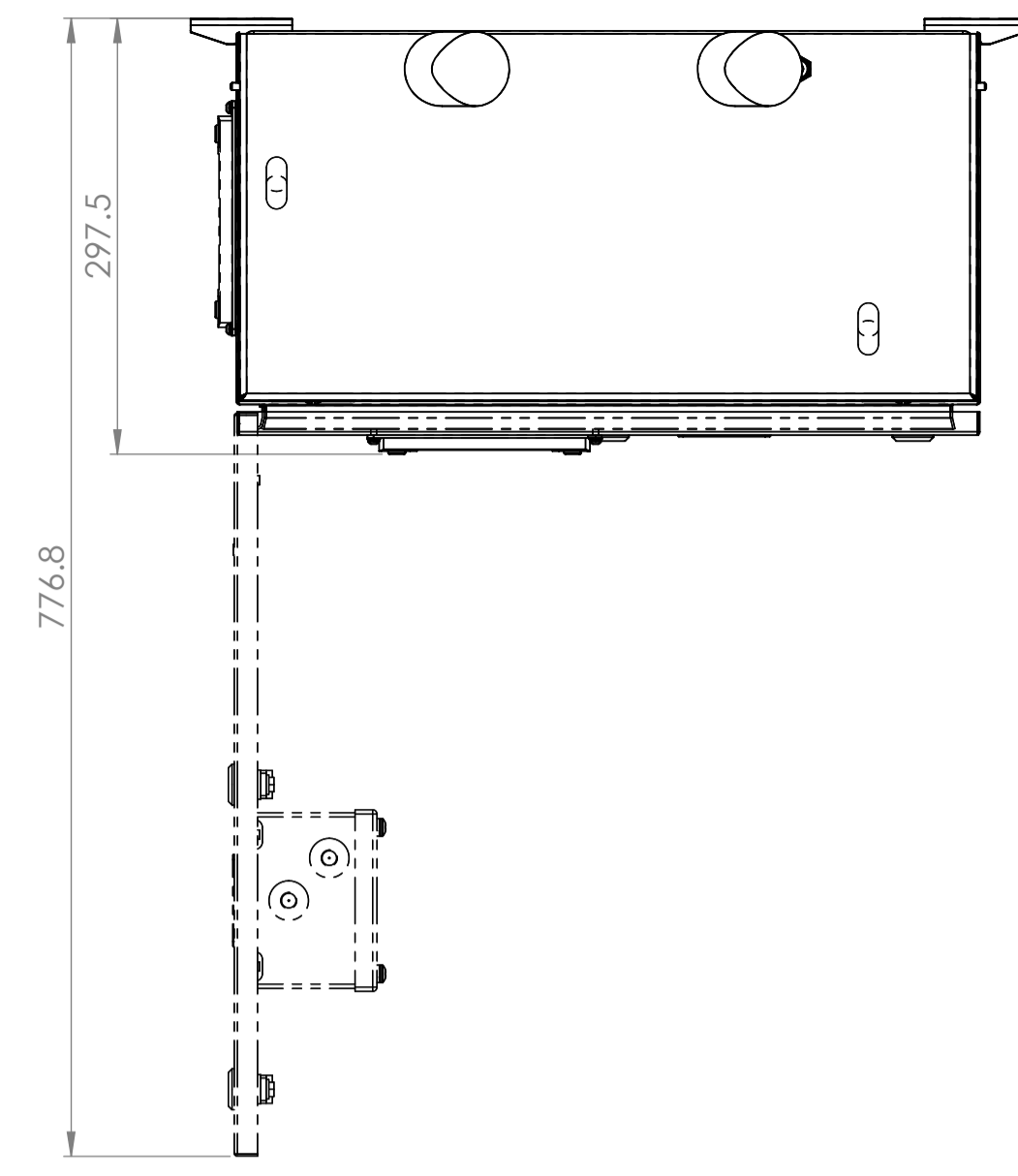


REVISIONS			
REV.	CN	NOTE	DATE
DRAFT			03/08/2015
A			10/11/2015

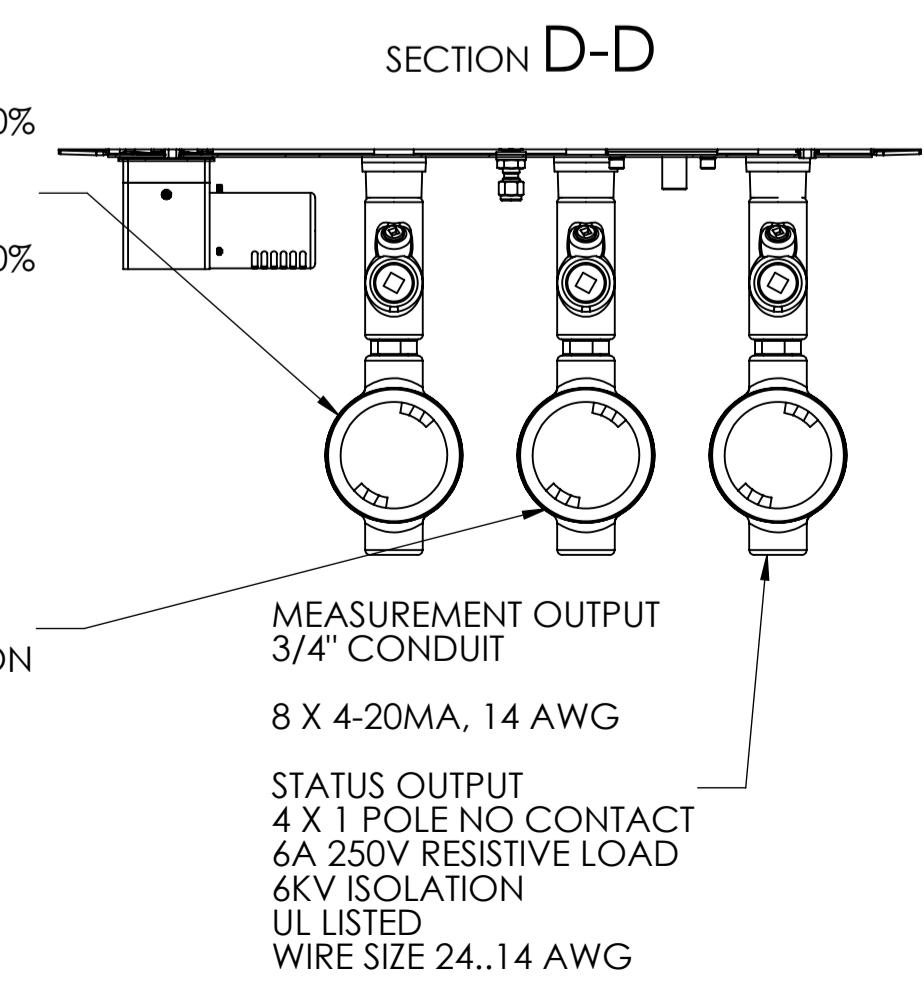


INCOMING AIR SUPPLY
3/8" FLEXIBLE TUBING
ONE-TOUCH FITTING
MINIMUM 360l/MIN
8 BAR
NON-LUBRICATED
CUSTOMER SCOPE OF
SUPPLY

POWER SUPPLY
PURGE
3/4" CONDUIT
100-240v AC, 48..62Hz +/- 10%
2.3VA FUSE RATING 2A

INSTRUMENTATION
100-240v AC, 48..62Hz +/- 10%
500VA FUSE RATING 6A
TERMINALS (H,N,G)

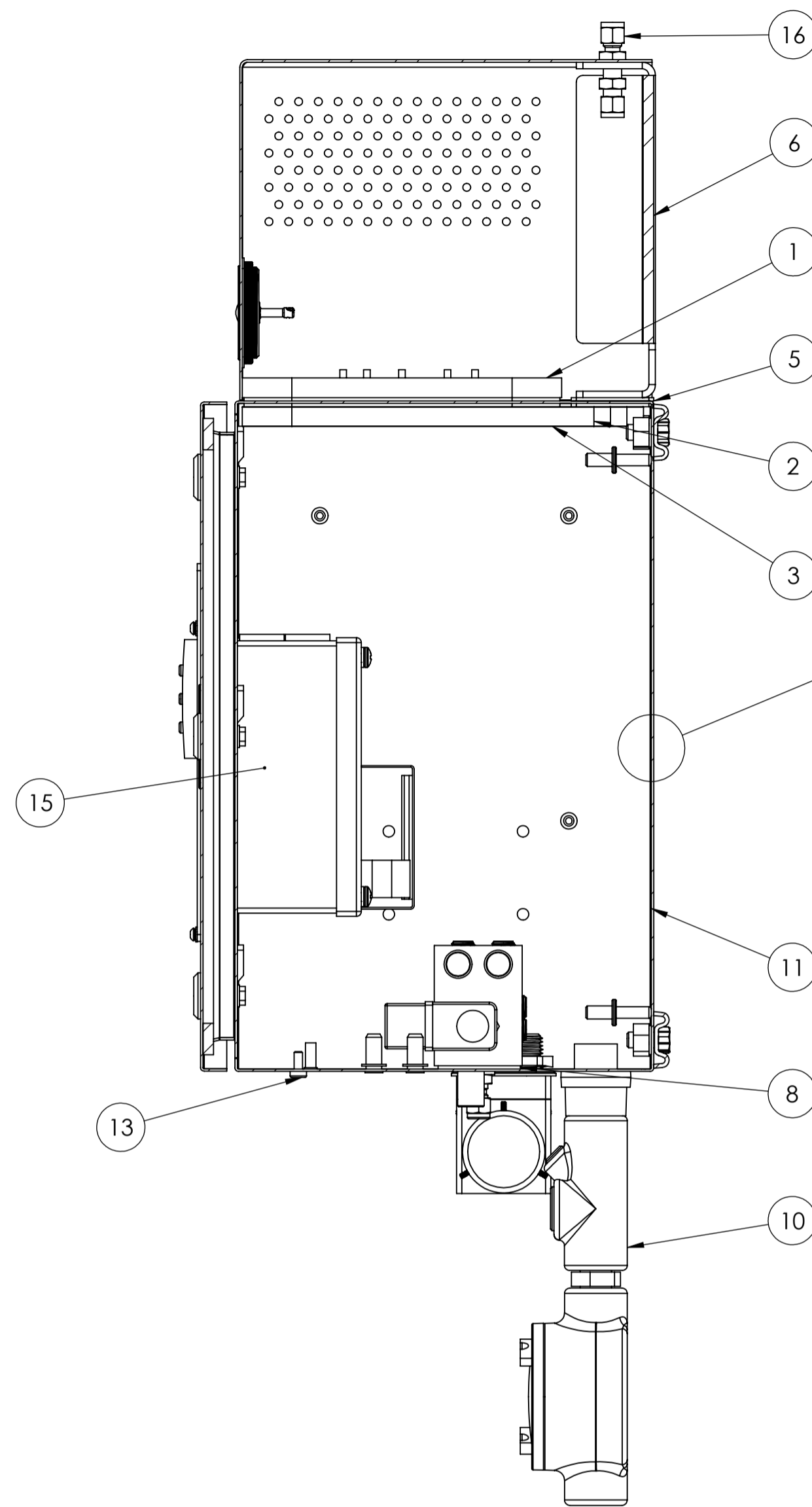
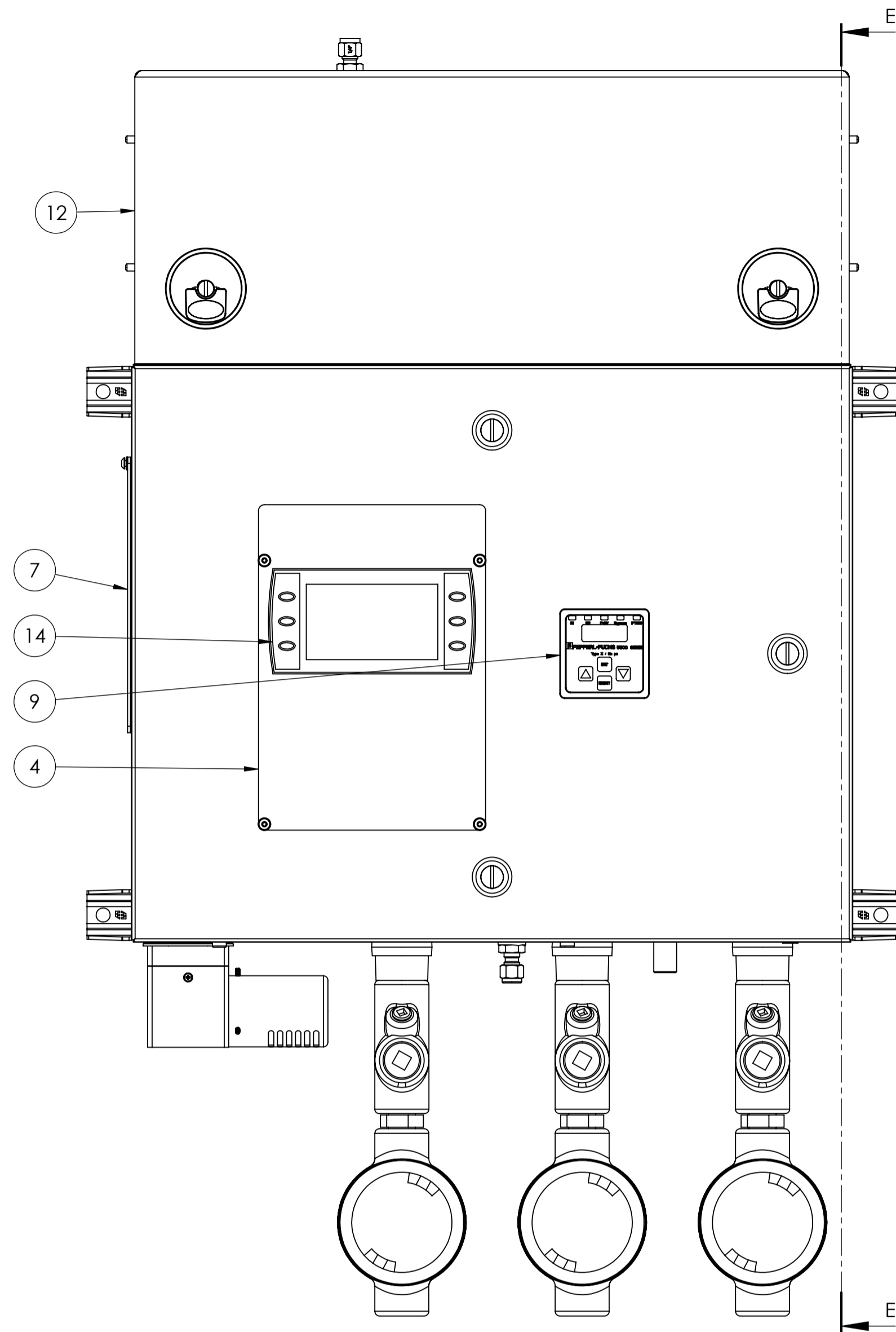
DIGITAL OUTPUT
3/4" CONDUIT
12 X 1 POLE NO CONTACT
5A 30VDC 250VAC
RESISTIVE LOAD
3KV DC / 2KV RMS ISOLATION
UL LISTED
WIRE SIZE 24..14AWG



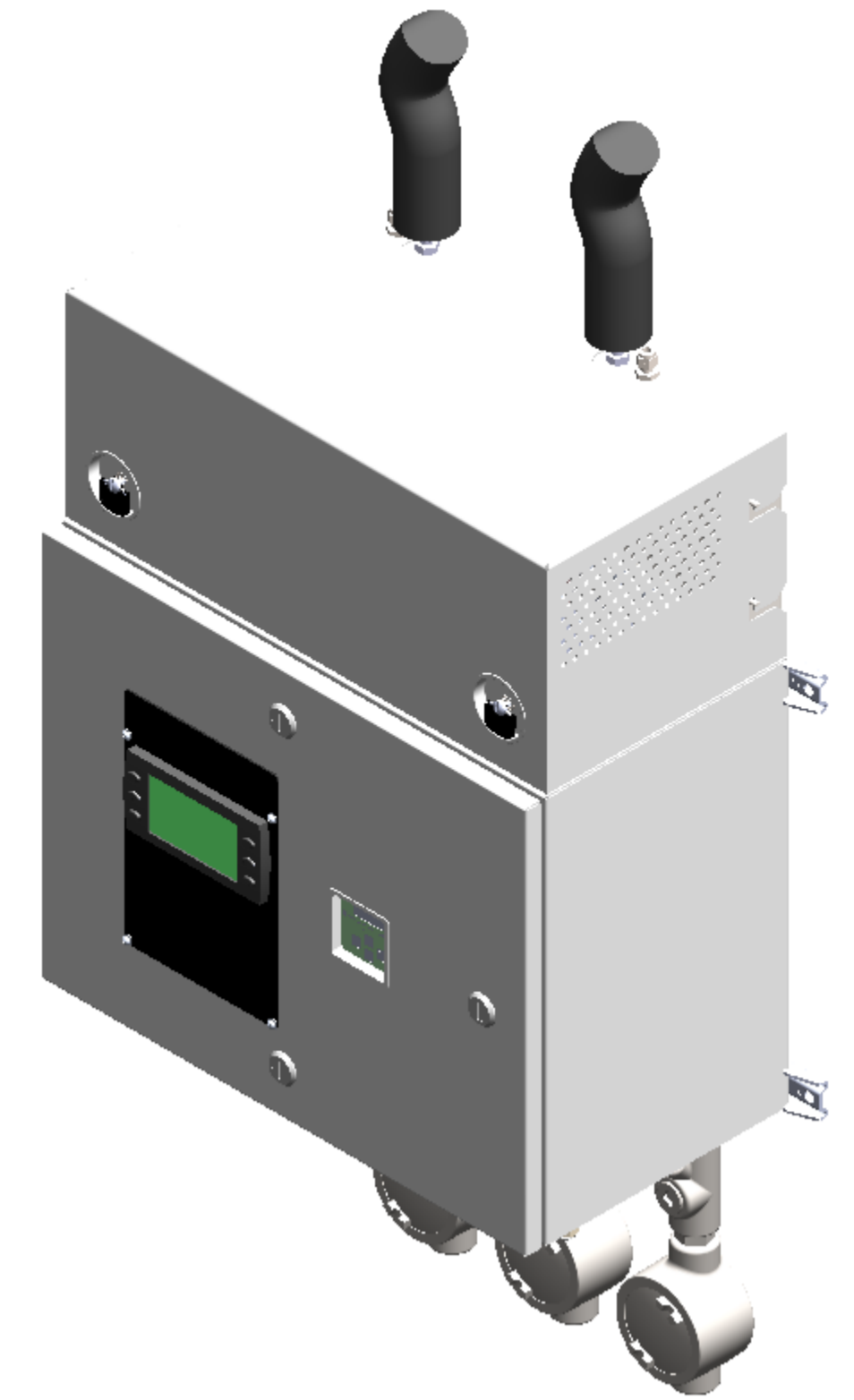
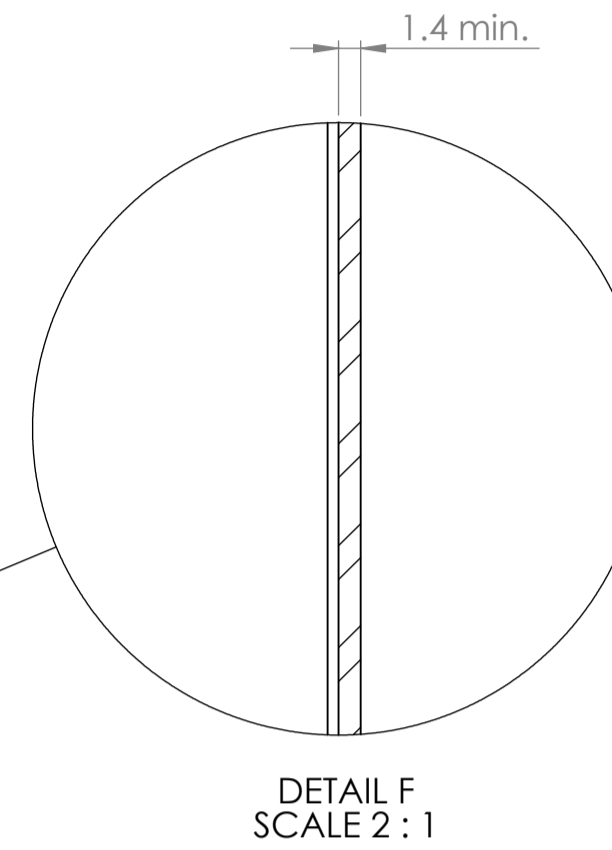
- NOTES:**
- NO COPPER OR COPPER ALLOY IS USED ON EXTERNAL SURFACES
 - ALL COMPONENTS WITH EXPOSED EXTERNAL SURFACES CONTAIN LESS THAN 7.5% MAGNESIUM AND/OR TITANIUM BY MASS
 - PURGED ENCLOSURE MAX INTERNAL FREE VOLUME = 0.04M³
 - ALL FASTENERS/FIXINGS ARE A4 STAINLESS STEEL, UNLESS OTHERWISE STATED

WEIGHT:-
52.03kg

UNLESS OTHERWISE SPECIFIED DIMENSIONS ARE IN MM GENERAL TOLERANCES: X ±0.2MM XX ±0.1MM XXX ±0.01MM ANGULAR ±0.2° SURFACE FINISH	IF IN DOUBT, PLEASE ASK		Cascade Technologies Ltd	
	APPROVALS	DATE	DESCRIPTION	
	DRAWN	23/11/2015	CT5100 - CEMS GAS ANALYSER	
	CHECKED		SIZE	DWG. NO.
FINISH	ISSUED	A1	M-3000-0934	REV. A
SOLIDWORKS FILE M-3000-0934	DO NOT SCALE DRAWING		SCALE 1:5	PROJECT CT5100
				SHEET 1 OF 4



SECTION E-E
SCALE 1 : 3



ITEM NO.	PART NO.	DESCRIPTION.	QTY.	MATERIAL.
1	M-1000-2480	BASE PLATE	1	BLACK ANODISED, ACP5080 EN AW-5083
2	M-1000-2481	FLANGE PLATE	1	BLACK ANODISED, ACP5080 EN AW-5083
3	M-1000-2482	IP GASKET	2	SILICON RUBBER 60° SHORE A
4	M-1000-2534	CT5100 FRONT PANEL	1	ANODISED ALUMINIUM, EN AW-5005 H24/34 (FIXINGS - A4 SS M4X14 SOCKET BUTTON HEAD SCREWS, PLAIN WASHER & SPRING WASHER)
5	M-1000-2536	GAS LINE BULKHEAD GASKET	2	SILICON RUBBER 60° SHORE A
6	M-1000-2537	GAS LINE BULKHEAD	1	BRIGHT ZINC PLATED, 4MM HR4 DD11 MILL PICKLED
7	M-1000-2539	CT5100 RATING PANEL	1	ANODISED ALUMINIUM, EN AW-5005 H24/34 (FIXINGS - A4 SS M4X14 SOCKET BUTTON HEAD SCREWS, PLAIN WASHER & SPRING WASHER)
8	M-1000-2540	PURGE VALVE IP GASKET	1	SILICON RUBBER 60° SHORE A
9	M-1000-2791	CT5100 PURGE DISPLAY EDGING	1	304 STAINLESS STEEL
10	M-3000-0723	3/4" CONDUIT HUB	3	COVERS - COPPER FREE ALUMINIUM BODIES - FERALOY IRON ALLOY PLUGS - FERALOY IRON ALLOY REMOVABLE NIPPLES - STEEL
11	M-3000-0970	CT5100 MODIFIED ENCLOSURE	1	BODY/DOOR/HINGES/STUDS - 304 STAINLESS STEEL DOOR LATCHES - 316 STAINLESS STEEL DOOR SEAL - POLYURETHANE INSERTS - 4 OFF M6X1.0 CLOSED END & 8 OFF M4X0.7 CLOSED END - DIN EN 10263-2 Qst 34-3, BS EN/DIN 10263-2 C8C, Werkstoff 1.0213, SAE 1008
12	M-3000-1115	TOP COVER ASSEMBLY	1	COVER - 304 STAINLESS STEEL CAP - 304 STAINLESS STEEL RETAINING RING - 304 STAINLESS STEEL 1/4 TURN STUD - CHROME PLATE 316 STAINLESS BAIL COVER - ABS RETAINING WASHERS - STAINLESS STEEL/HDPE RETAINING SPRING - STEEL
13	M5 X12	SELF-SEALING CROSS PAN HEAD SCREW	2	316 STAINLESS STEEL
14	P-5000-0356	INTRINSICALLY SAFE PANEL DISPLAY BA488C	1	WINDOW - TOUGHENED GLASS BEZEL - NORYL GASKET - NEOPRENE
15	P-5000-1022	PURGE SYSTEM ASSEMBLY	1	HOUSING - 316 STAINLESS STEEL MEMBRANE PAD - AUTOTEX F200EX FILTER HOUSING - 6061T6 ANODISED ALUMINIUM, 316 STAINLESS STEEL CAP SPARK ARRESTOR - 316 STAINLESS STEEL MANIFOLD HOUSING - ANODISED ALUMINIUM BULKHEAD FITTING - 316 STAINLESS STEEL
16	P-5000-1035	SS TUBE FITTING BULKHEAD 6MM - 1/4 OD	2	316 STAINLESS STEEL

UNLESS OTHERWISE SPECIFIED
DIMENSIONS ARE IN MM
GENERAL TOLERANCES:
X ±0.2MM
XX ±0.1MM
XXX ±0.01MM
ANGULAR ±0.2°
SURFACE FINISH

IF IN DOUBT, PLEASE ASK

Cascade Technologies Ltd

APPROVALS
DRAWN CLU
CHECKED
ISSUED

DATE
23/11/2015

DESCRIPTION
CT5100 - CEMS GAS ANALYSER

FINISH

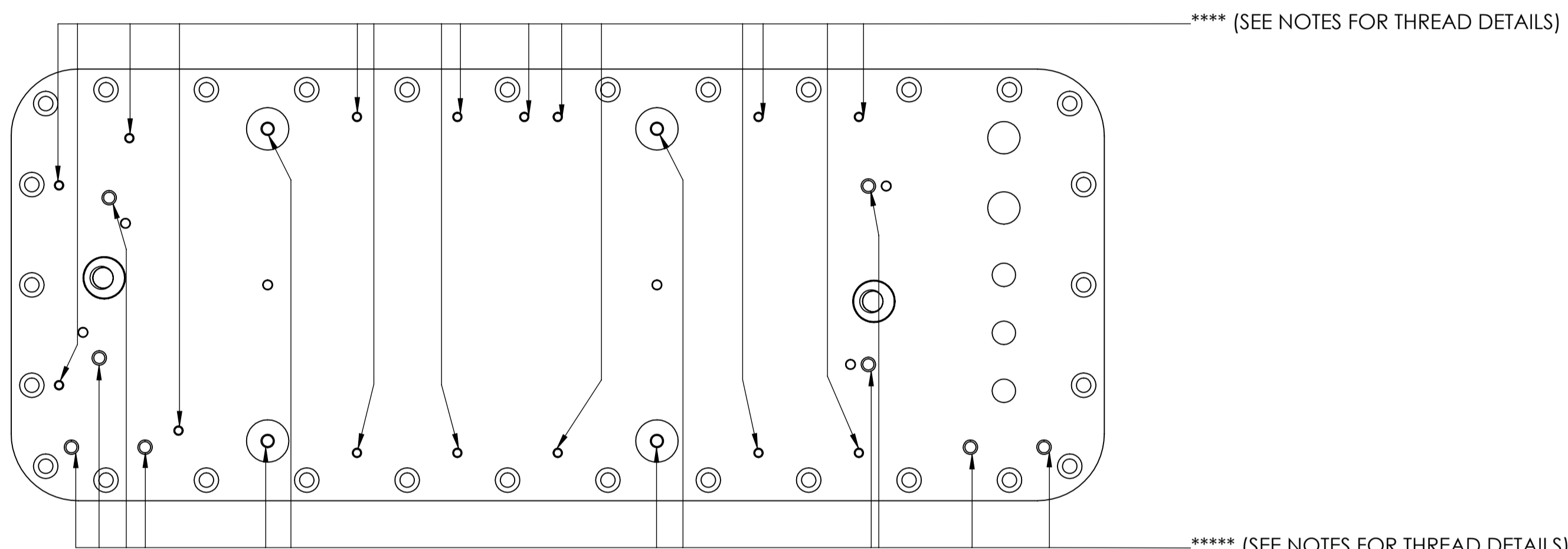
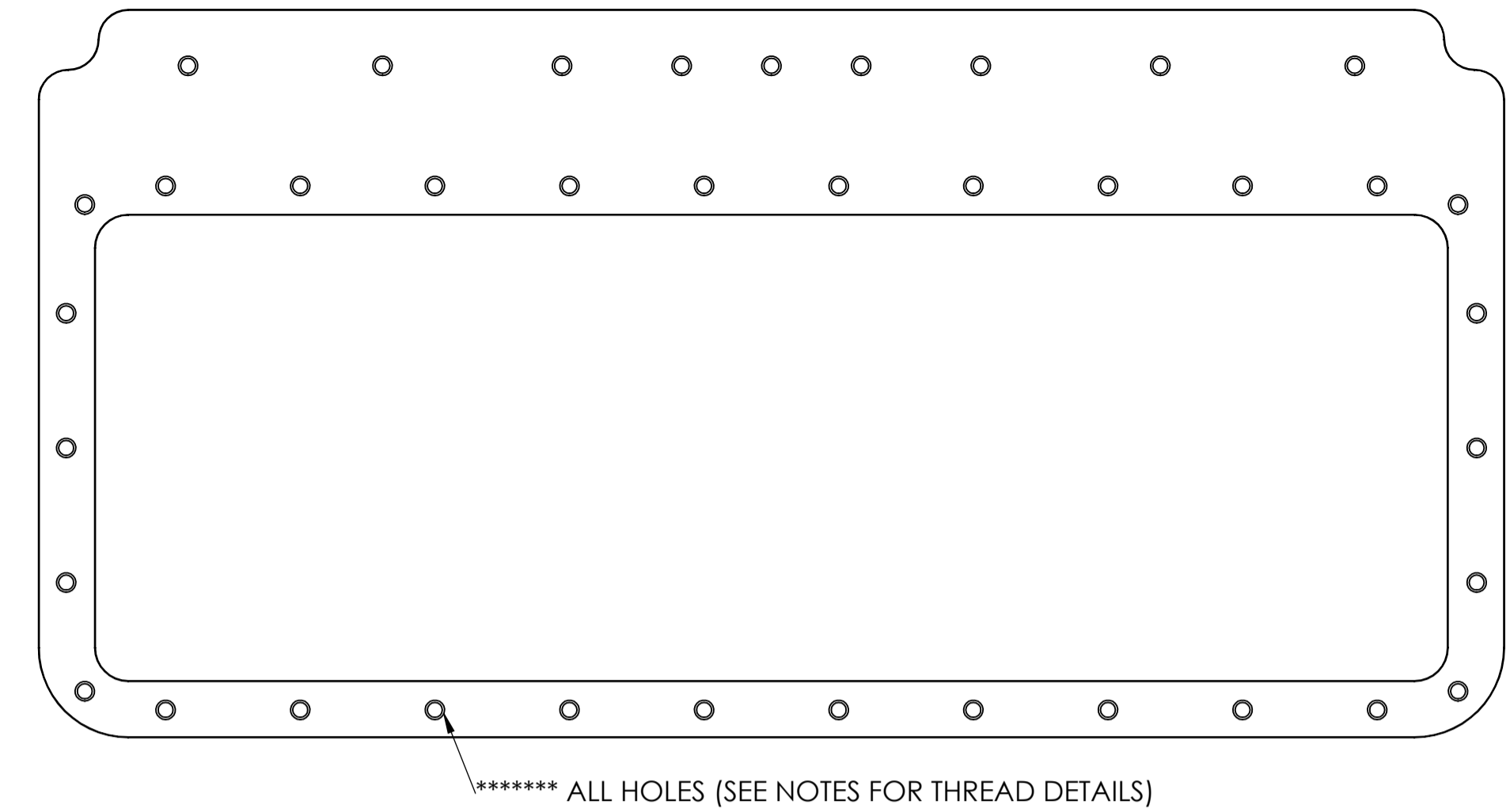
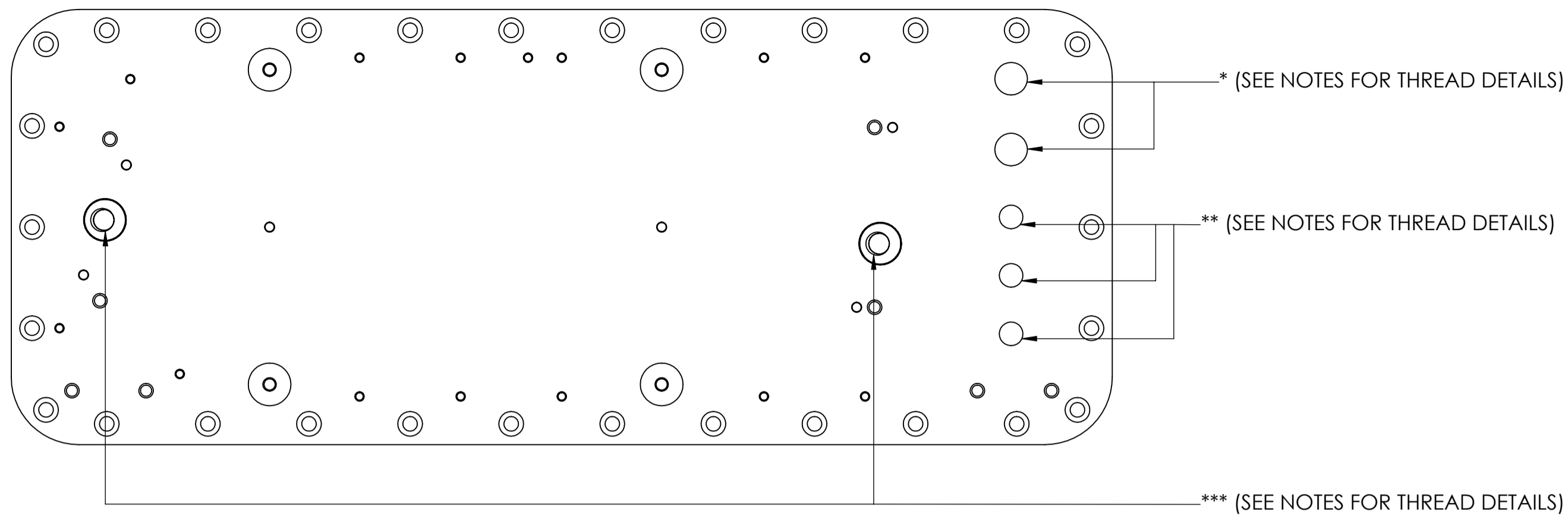
DO NOT SCALE DRAWING

SIZE DWG. NO. REV.
A1 M-3000-0934 A

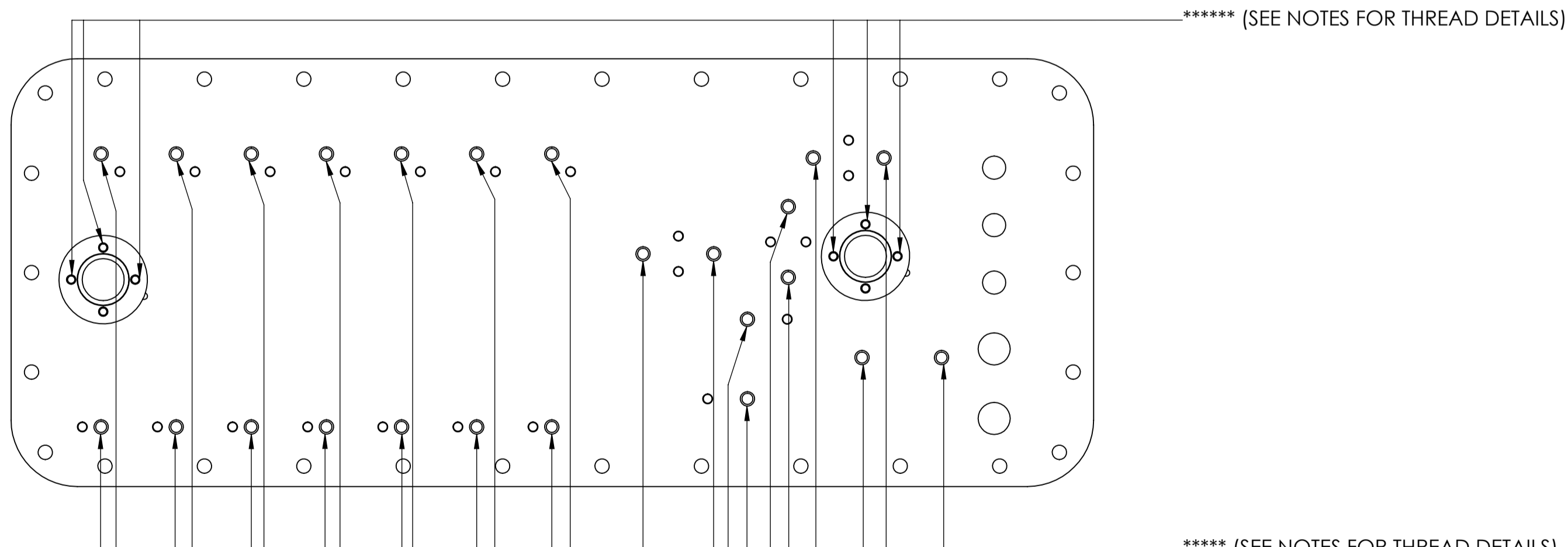
SOLIDWORKS FILE
M-3000-0934

SCALE 1:10 PROJECT CT5100

SHEET 2 OF 4



TOP VIEW



BOTTOM VIEW

NOTES:

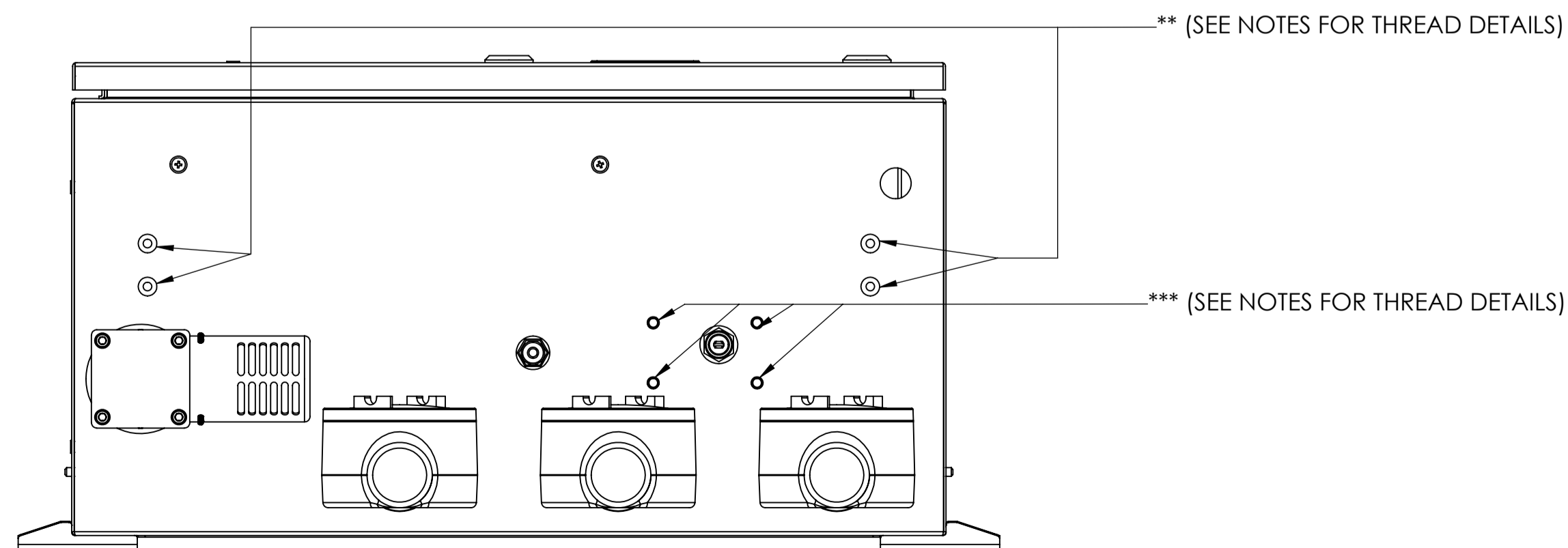
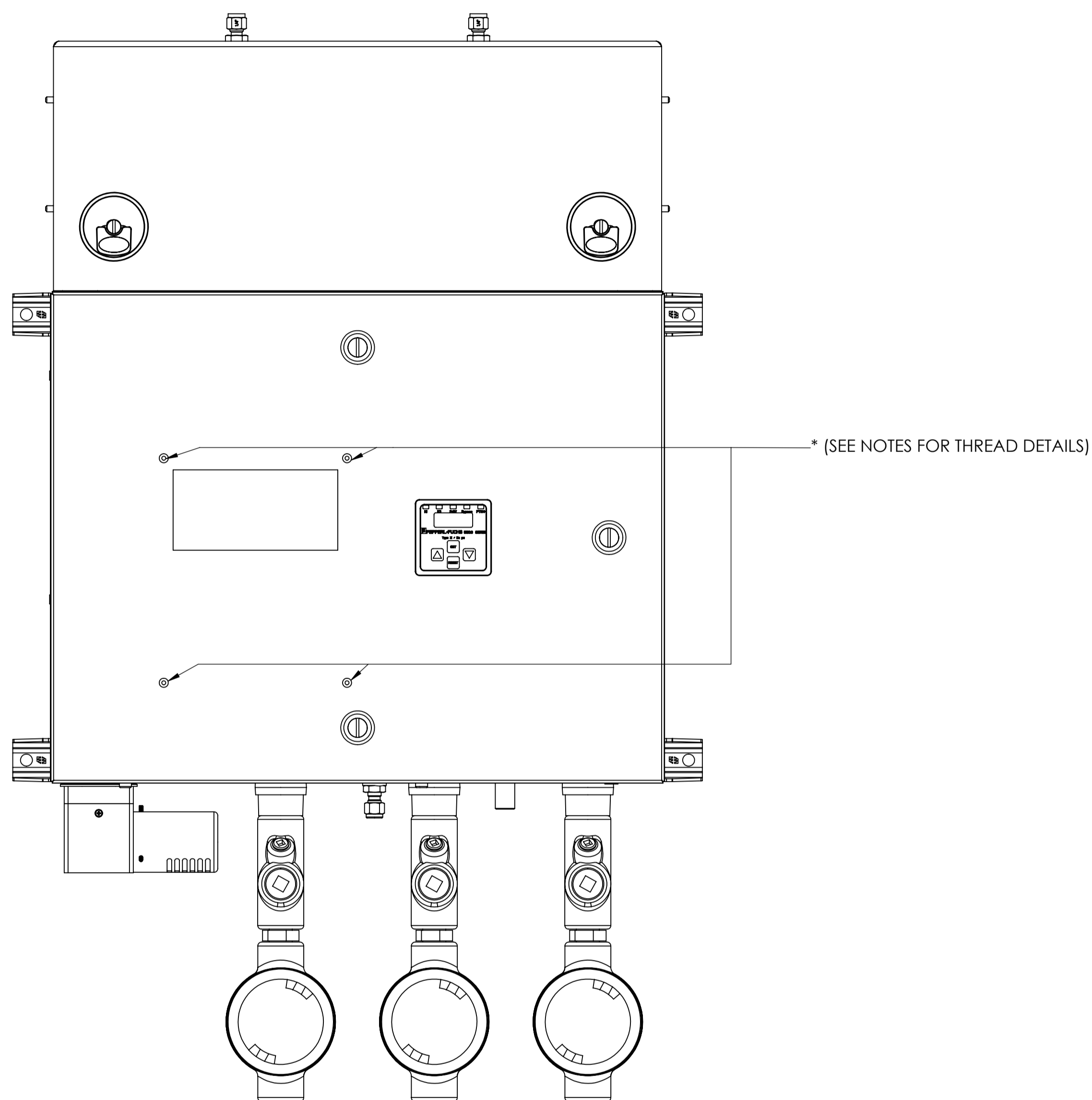
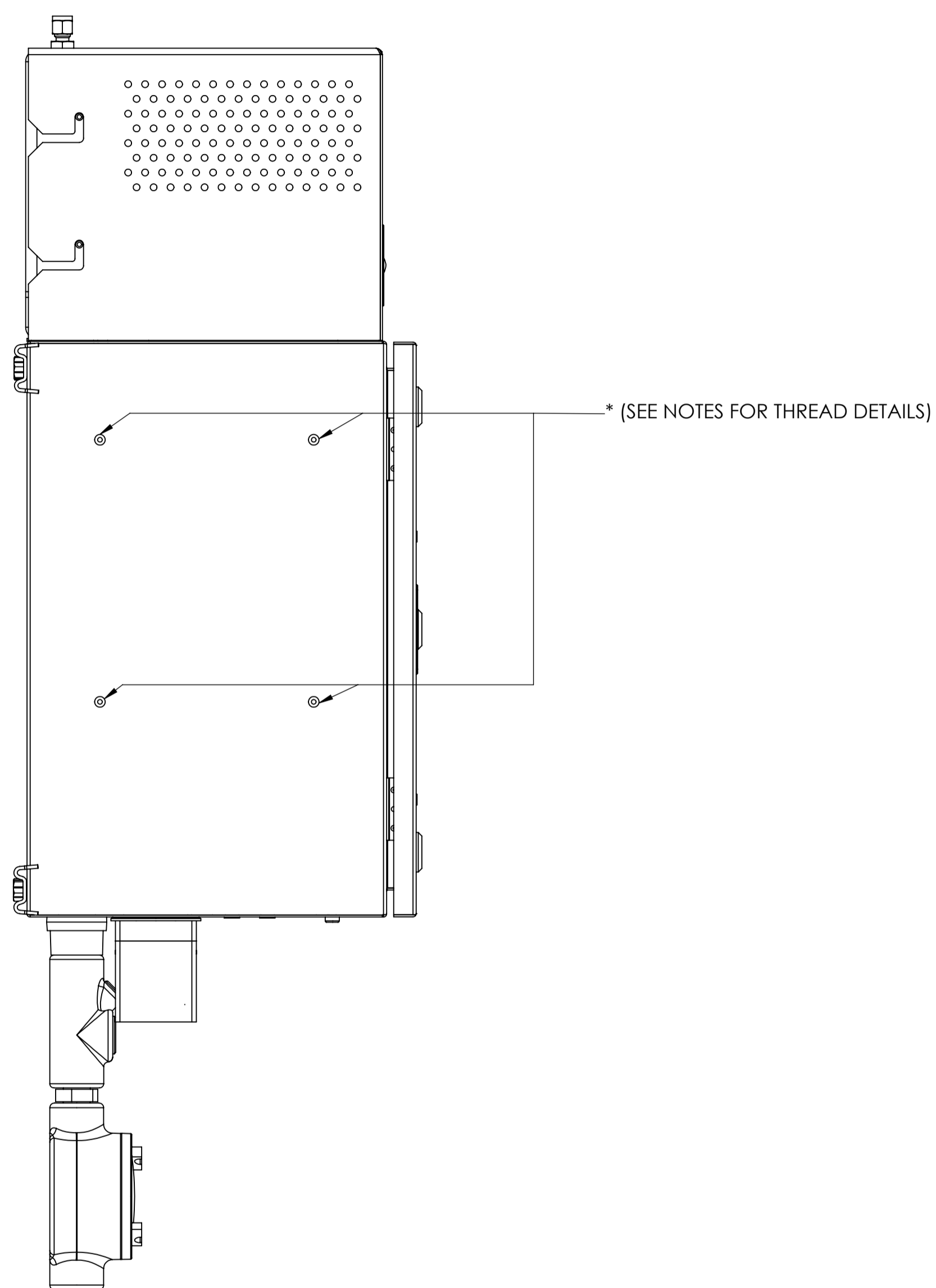
- * BASE PLATE, M-1000-2480 - M16 X 1.5 THRU (QTY-2) - CERTIFIED GLAND (MATING)
- ** BASE PLATE, M-1000-2480 - M12 X 1.5 THRU (QTY-3) - CERTIFIED GLAND (MATING)
- *** CT5100 IR WINDOW MOUNT, M-1000-2573 - M13 X 0.5 ∇ 5 (QTY-2) - RETAINING RING (MATING)
- **** BASE PLATE, M-1000-2480, M4x0.7 - 6H ∇ 7.0 (QTY-15)
- ***** BASE PLATE, M-1000-2480 - M6x1.0 - 6H ∇ 7.0 (QTY 36)
- ***** BASE PLATE, M-1000-2480 - M4x0.7 - 6H ∇ 5.5 (QTY-8)
- ***** FLANGE PLATE, M-1000-2481 - M6x1.0 - 6H ∇ 9.0 (QTY-39)

MATING PART FOR ALL THREADS, UNLESS OTHERWISE STATED IS A4 STAINLESS STEEL SCREW OF APPROPRIATE SIZE AND LENGTH

UNLESS OTHERWISE SPECIFIED DIMENSIONS ARE IN MM GENERAL TOLERANCES: X ±0.2MM XX ±0.1MM XXX ±0.01MM ANGULAR ±0.2° SURFACE FINISH $\sqrt{32}$	IF IN DOUBT, PLEASE ASK		Cascade Technologies Ltd	
	APPROVALS	DATE	DESCRIPTION	
DRAWN	CLU	23/11/2015	CT5100 - CEMS GAS ANALYSER	
CHECKED			SIZE	DWG. NO.
MATERIAL	Material <not specified>		A1	M-3000-0934
FINISH			SCALE	REV.
SOLIDWORKS FILE	DO NOT SCALE DRAWING		1:10	A
M-3000-0934			PROJECT	SHEET 3 OF 4
			CT5100	

NOTES:

- * CT5100 MODIFIED ENCLOSURE, M-3000-0970 - M4 X 0.7 CLOSED END THREADED INSERT (QTY-8)
 - ** CT5100 MODIFIED ENCLOSURE, M-3000-0970 - M6 X 1 CLOSED END THREADED INSERT (QTY-4)
 - *** PURGE SYSTEM MANIFOLD HOUSING - 1/4-20 UNC ∇ 9.525MM (QTY-4)
- MATING PART FOR ALL THREADS, UNLESS OTHERWISE STATED IS A4 STAINLESS STEEL SCREW OF APPROPRIATE SIZE AND LENGTH



<small>UNLESS OTHERWISE SPECIFIED DIMENSIONS ARE IN MM GENERAL TOLERANCES: X ±0.2MM XX ±0.1MM XXX ±0.01MM ANGULAR ±0.2° SURFACE FINISH $\sqrt{3.2}$</small>	IF IN DOUBT, PLEASE ASK		Cascade Technologies Ltd		
	APPROVALS	DATE	DESCRIPTION		
	DRAWN CLU	23/11/2015	CT5100 - CEMS GAS ANALYSER		
	CHECKED		SIZE	DWG. NO.	REV.
MATERIAL	Material <not specified>		A1	M-3000-0934	A
FINISH	DO NOT SCALE DRAWING		SCALE 1:3	PROJECT CT5100	SHEET 4 OF 4
SOLIDWORKS FILE M-3000-0934					