


## Net Safety™ Flame Products Mounting Kit (UN-MK-4X) Instruction Guide MAN-0125 Rev 0



Net Safety has designed the UN-MK-4X series mounting kit to support installation of the flame detector series to pipes (poles). With the increasing demand for installations involving pipes (poles), this latest mounting kit ensures that the demands are met by providing mounting stability and ease of use across Net Safety's Flame Products.

The three (3) different types of UN-MK-4X mounting kits are: the UN-M-41, UN-MK-42 and UN-MK-43. All three mounting kits are similar, except for the difference in U bolt size. The UN-MK-41 comes with a 3/8 x 1-in. U bolt, the UN-MK-42 uses a 3/8 x 2-in. U bolt and the UN-MK-43 has a 3/8 x 3-in. U bolt.

**Warning**  \*Over-tighten nuts may damage equipment.

1. Position the UN-MK-4X mounting bracket with its 'V' slot making contact with the specific pipe. See Figure 1.
2. Place U bolt around pipe and fit to mounting bracket. Ensure U bolt threaded ends pass through two (14/32-in.) slots on mounting bracket.
3. Fit screws, washers and nuts provided to the threaded ends of the U bolt. Ensure a tight fit by using a 9/16-in. open end combination wrench.
4. Align the four holes of the flame product swivel with the four holes on the UN-MK-4X; ensure holes are concentric. See Figure 1 when locating holes for swivel.
5. Position and fit the four screws (item no. 6 in Figure 2) provided and ensure that screw heads are snug to swivel base surface.
6. Fit washers and nuts to screws with the aid of two 7/16-in. open end combination wrench; one wrench is used to hold the nut in place at the backside of the UN-MK-4X mounting bracket, while the other is placed over the head of the screw and turned in a clockwise motion.
7. Repeat step 6 for remaining screws ensuring a firm fit of swivel to mounting bracket.
8. Fit the flame detector enclosure to the threaded arm of the swivel.
9. Adjust the flame detector enclosure with swivel as required.

Figure 1: UN-MK-4X Dimensional Drawing

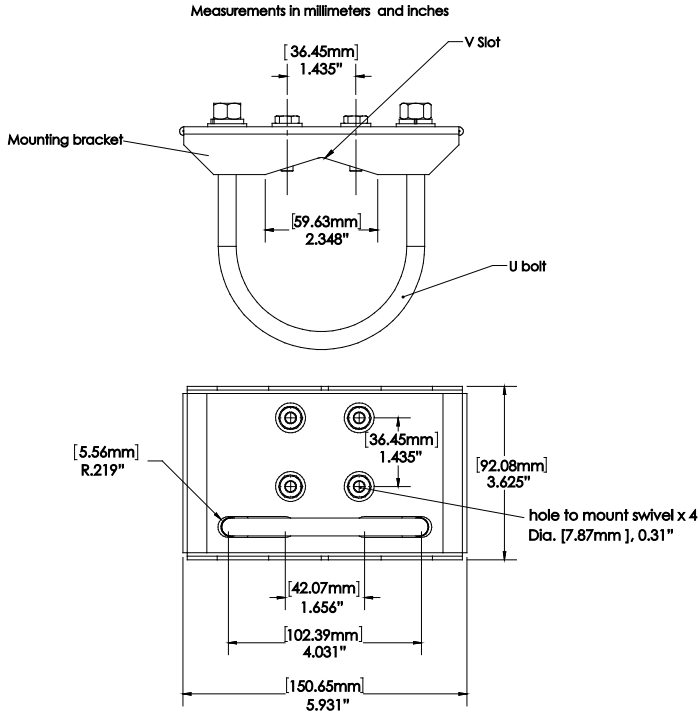
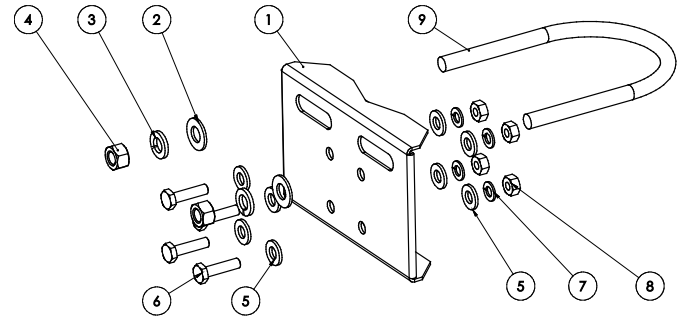


Figure 2: UN-MK-4X Parts list

ITEM NO.	PART NUMBER	DESCRIPTION	QTY.
1	MFG-0293	PIPE MOUNT BRACKET (FLAME DETECTOR)	1
2	WSH-0041	3/8 FLAT WASHER, SSS316	2
3	WSH-0039	LOCK WASHER, 3/8 SPLIT (SS316)	2
4	NUT-0033	NUT, 3/8-NC STAINLESS FINISH HEX, SS316	2
5	WSH-0033	1/4" Flat Washer, SS316	8
6	SCR-0141	1/4-20 x 1" HEX CAP SCREW, SS316	4
7	WSH-0034	1/4" Split Ring Lock Washer, 316SS	4
8	NUT-0030	1/4"-20 Hex Nut, 316SS	4
9	HDW-0245	UBOLT, 3/8-NC x 1 NPS, SS316	1
	HDW-0226	UBOLT, 3/8-NC x 2 NPS, SS316	
	HDW-0241	UBOLT, 3/8-NC x 3 NPS, SS316	



## [EmersonProcess.com/FlameGasDetection](http://EmersonProcess.com/FlameGasDetection)

### **Americas**

#### **Emerson Process Management**

6021 Innovation Blvd.

Shakopee, MN 55379

T +1 866 347 3427

F +1 952 949 7001

[Safety.CSC@Emerson.com](mailto:Safety.CSC@Emerson.com)

### **Europe**

#### **Emerson Process Management AG**

Neuhofstrasse 19a P.O. Box 1046

CH-6340 Baar

Switzerland

T + 41 (0) 41 768 6111

F + 41 (0) 41 768 6300

[Safety.CSC@Emerson.com](mailto:Safety.CSC@Emerson.com)

### **Middle East & Africa**

#### **Emerson Process Management**

Emerson FZE

Jebel Ali Free Zone

Dubai, UAE

P.O. Box 17033

T + 971 4 811 8100

F + 971 4 886 5465

[Safety.CSC@Emerson.com](mailto:Safety.CSC@Emerson.com)

### **Asia Pacific**

#### **Emerson Process Management**

1 Pandan Crescent

Singapore 128461

Singapore

T + 65 777 8211

F + 65 777 0947

[Safety.CSC@Emerson.com](mailto:Safety.CSC@Emerson.com)



[AnalyticExpert.com](http://AnalyticExpert.com)



[Twitter.com/Rosemount\\_News](https://twitter.com/Rosemount_News)



[Facebook.com/Rosemount](https://facebook.com/Rosemount)



[Youtube.com/user/RosemountAnalytical](https://Youtube.com/user/RosemountAnalytical)

© 2016 Emerson Process Management. All rights reserved.

The Emerson logo is a trademark and service mark of Emerson Electric Co.

Net Safety is a trademark of Emerson Process Management.

All other marks are the property of their respective owners.

The contents of this publication are presented for information purposes only, and while effort has been made to ensure their accuracy, they are not to be construed as warranties or guarantees, express or implied, regarding the products or services described herein or their use or applicability. All sales are governed by our terms and conditions, which are available on request. We reserve the right to modify or improve the designs or specifications of our products at any time without notice.

**NET SAFETY™**

  
**EMERSON™**  
Process Management