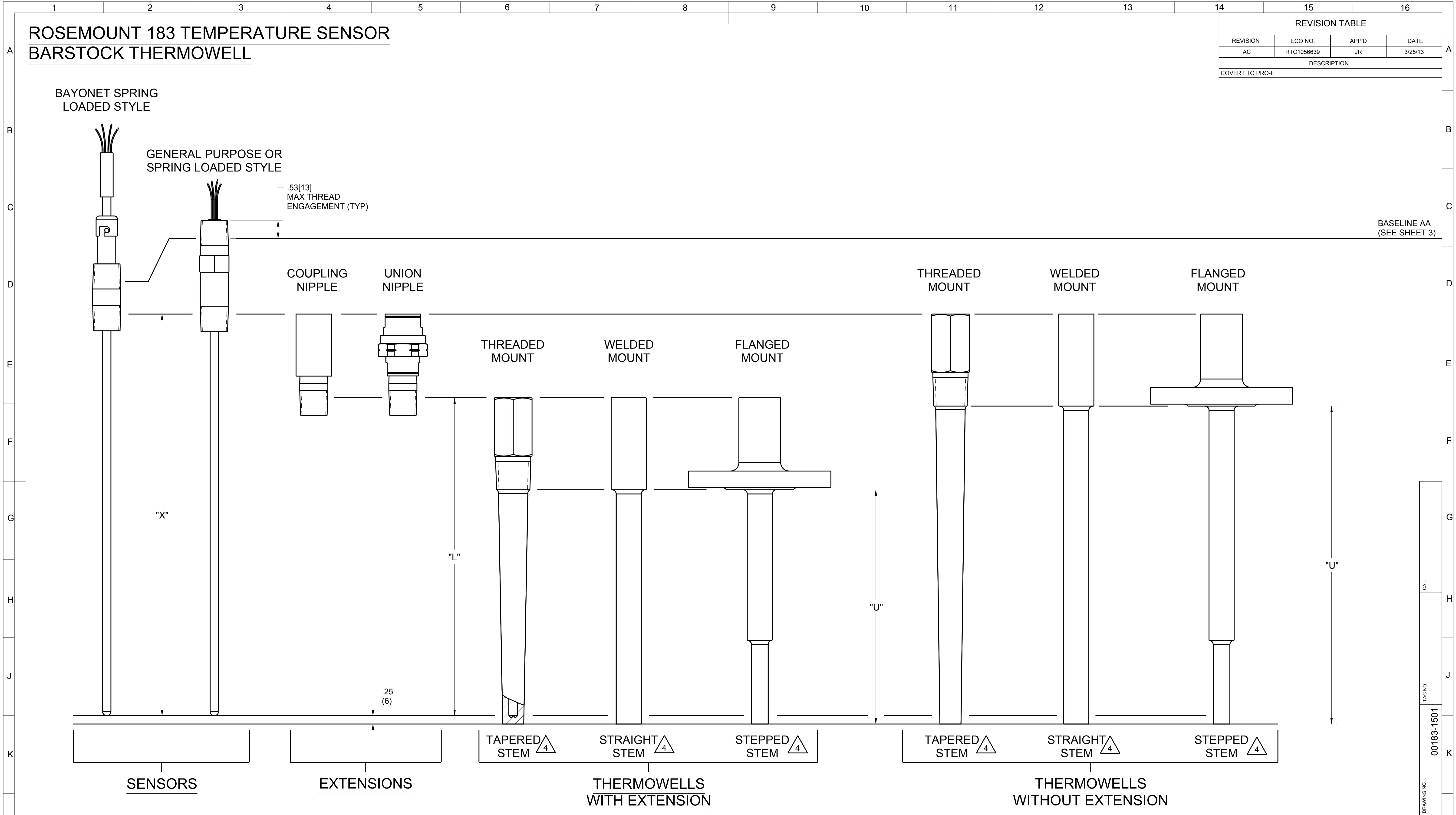


# ROSEMOUNT 183 TEMPERATURE SENSOR BARSTOCK THERMOWELL

REVISION TABLE			
REVISION	ECO NO.	APP'D	DATE
AC	RTC1056639	JR	3/25/13
DESCRIPTION			
COVERT TO PRO-E			



5. SANITARY THERMOWELLS USE TRI-CLAMP MOUNTING STYLE (SHEET 2).  
 4. STEM STYLE INTERCHANGEABLE WITH THERMOWELL MOUNTING STYLE.  
 3. SPRING LOADED SENSOR TYPE IS SHOWN .50 [12.7] COMPRESSED.  
 2. .75 [19] CLEARANCE REQUIRED TO REMOVE COVERS.  
 1. ROSEMOUNT INC. CERTIFIES THESE DRAWINGS ARE IN ACCORDANCE WITH ROSEMOUNT ENGINEERING SPECIFICATIONS AND ACCURATELY REPRESENT THE EQUIPMENT FURNISHED.

**EQUATIONS**  
 $L = U + T + 1.50$  [38]  
 WITH EXTENSION  
 $X = E + L$   
 $X = E + U + T + 1.50$  [38]  
 WITHOUT EXTENSION  
 $X = L$

UNLESS OTHERWISE SPECIFIED CONNECTIONS AND DIMENSIONS INFORMATION IS CONTAINED HEREIN AND MUST BE HANDLED ACCORDINGLY. EMERSON	CUSTOMER	***	3RD ANGLE	SIZE	SCALE	REV
	CUSTOMER DWG NO.	***		D	3/4	AC
	P.O. No.	***				
	S.O. No.	***				
PROJECT NAME	DR. JLA 3/27/13	DRAWING NO.	00183-1501			
APP'D	JR 3/27/13	PRODUCT CODE	DOC TYPE	D	SHEET 1	OF 3

DRAWING NO. 00183-1501  
TAG NO. GAL

NOTES:

# ROSEMOUNT 183 TEMPERATURE SENSOR SANITARY THERMOWELL

BAYONET SPRING  
LOADED STYLE

GENERAL PURPOSE OR  
SPRING LOADED STYLE

.53[13]  
MAX THREAD  
ENGAGEMENT (TYP)

BASELINE AA  
(SEE SHEET 3)

COUPLING  
NIPPLE

UNION  
NIPPLE

1-3 in.  
TRI-CLAMP  
MOUNT

3/4 in.  
TRI-CLAMP  
MOUNT

1-3 in.  
TRI-CLAMP  
MOUNT

3/4 in.  
TRI-CLAMP  
MOUNT

"X"

"E"

"L"

"U"

"U"

.25  
(6)

STEPPED  
STEM

STRAIGHT  
STEM

STEPPED  
STEM

STRAIGHT  
STEM

SENSORS

EXTENSIONS

THERMOWELLS  
WITH EXTENSION

THERMOWELLS  
WITHOUT EXTENSION

EQUATIONS  
 $L = U + T + 1.50$  [38]  
 WITH EXTENSION  
 $X = E + L$   
 $X = E + U + T + 1.50$  [38]  
 WITHOUT EXTENSION  
 $X = L$

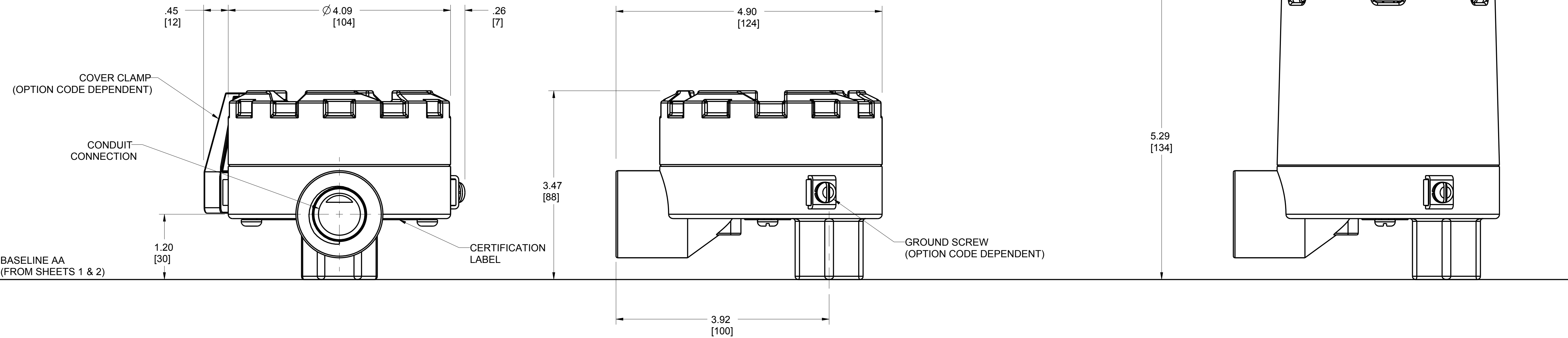
UNLESS OTHERWISE SPECIFIED DIMENSIONS AND DECIMALS INFORMATION IS CONTAINED HEREIN AND MUST BE HANDLED ACCORDINGLY. EMERSON	CUSTOMER	***	3RD ANGLE	SIZE D	SCALE 3/4	REV AC
	CUSTOMER DWG NO.	***				
	P.O. No.	***				
	S.O. No.	***				
PROJECT NAME	DR. JLA 3/27/13	DRAWING NO.	00183-1501			
DO NOT SCALE PRINT	CAD MAINTAINED, (PROE)	PRODUCT CODE	DOC TYPE	D	SHEET 2	OF 3

TAG NO. 00183-1501  
 DRAWING NO. 00183-1501

# ROSEMOUNT 183 CONNECTION HEADS

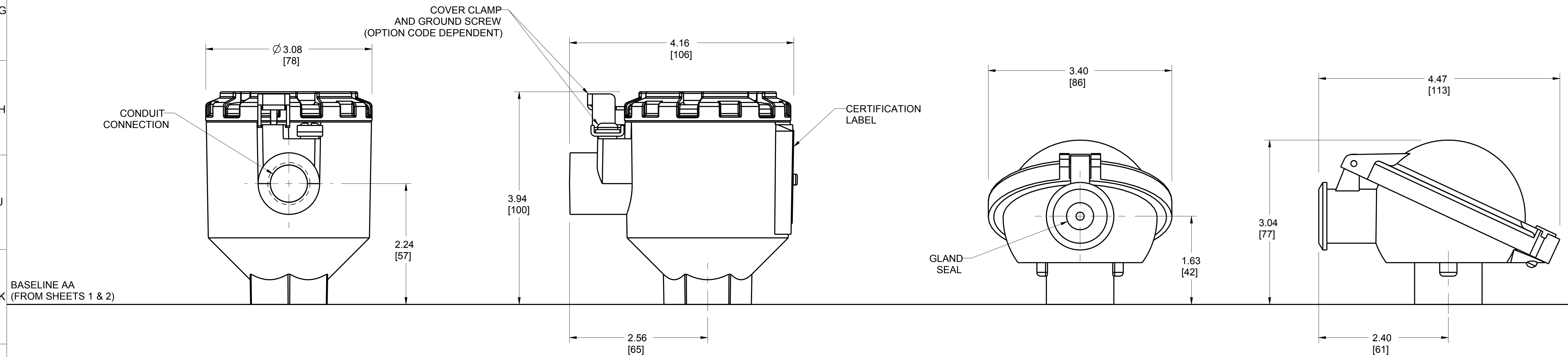
## ALUMINUM CONNECTION HEAD

## ALUMINUM CONNECTION HEAD WITH EXTENDED COVER



## ROSEMOUNT ALUMINUM OR SST CONNECTION HEAD

## POLYPROPYLENE CONNECTION HEAD



BASELINE AA  
(FROM SHEETS 1 & 2)

FORM 10/14

<small>UNLESS OTHERWISE SPECIFIED DIMENSIONS AND DECIMALS CONVERSIONS ARE APPROXIMATE. INFORMATION IS CONTAINED HEREIN AND MUST BE HANDLED ACCORDINGLY. EMERSON</small>	CUSTOMER	***	3RD ANGLE	SIZE	SCALE	REV
	CUSTOMER DWG NO.	***	D	1/1	AC	
	P.O. No.	***	<b>EMERSON</b> <b>ROSEMOUNT®</b> <b>ROSEMOUNT 0183 TEMPERATURE</b> <b>SENSOR BARSTOCK THERMOWELL</b>			
	S.O. No.	***				
PROJECT NAME	DR. JLA 3/27/13	DRAWING NO.	00183-1501			
APPD. JR 3/27/13			DO NOT SCALE PRINT	CAD MAINTAINED, (PROE)	PRODUCT CODE	DOC TYPE D SHEET 3 OF 3

TAG NO. 00183-1501  
 DRAWING NO.