

Rosemount 3095FT MultiVariable™ Flow Data Logger

Product Discontinued



CE

The proven leader in Multivariable measurement

- Industry leading performance with $\pm 0.05\%$ of DP reading accuracy
- Ten year stability under actual process conditions
- Unprecedented reliability backed by a limited 12-year warranty
- Measures natural gas flow through an orifice plate per AGA, API, and GPA standards
- Advanced data and event logging, API compliant

Rosemount 3095FT Product Overview



Industry leading performance with $\pm 0.05\%$ of DP reading accuracy

Enabled by superior sensor technology and engineered for optimal flow performance, the 3095FT delivers unprecedented reference accuracy with 100:1 rangeability. Superior performance means reduced variability for improved billing accuracy.

Ten year stability of 0.25%

Through aggressive simulation testing, the 3095FT has proven its ability to maintain unprecedented performance under the most demanding conditions. Superior transmitter stability decreases calibration frequency for reduced maintenance and operation costs.

Unprecedented reliability backed by a limited 12-year warranty

Further enhance installation practices with the most reliable platform supported by a 12-year warranty.

Four variables in one device

The advanced 3095FT measured three process variables simultaneously, while calculating flow through an orifice plate per American Gas Association (AGA), American Petroleum Institute (API) and Gas Processors Associations (GPA) standards. One installation means reduced process penetrations, inventory and installation costs.

Advanced Data Logging Capability

With user-configurable data logging exceeding EFM requirements of API MPMS Chapter 21.1, the 3095FT logs the continuously averaged flow data. The nonvolatile memory logs 50 days of daily, variable and event logs. A cost effective solution for natural gas flow monitoring and custody transfer.

Contents

Ordering information	page 3	Product certifications	page 9
Specifications	page 6	Dimensional drawings	page 10

Ordering information

Table 1. Rosemount 3095F MultiVariable Flow Data Logger Ordering Information

★ The Standard offering represents the most common options. The starred options (★) should be selected for best delivery. The Expanded offering is subject to additional delivery lead time.

Model	Product Description		
3095F	MultiVariable Flow Data Logger		
Code	Output		
Standard			Standard
H ⁽¹⁾	Data Log via PC based User Interface Software		★
Code	Differential Pressure Range		
Standard			Standard
2	0–2.5 to 0–250 inH ₂ O (0–0,63 to 0–623 mbar)		★
3	0–10 to 0–1000 inH ₂ O (0–2,5 mbar to 0–2,5 bar)		★
Code	Static Pressure Range		
Standard			Standard
3	0.5-8 to 0.5–800 psia (0,03–0,552 to 0,03–55,2 bar)		★
4	0.5-36.26 to 0.5–3626 psia (0,03–2,5 to 0,03–250 bar)		★
C	0-8 to 0-800 psig (0–0,552 to 0–55,2 bar)		★
D	0-36.26 to 0-3626 psig (0-2,5 to 0–250 bar)		★
Code	Isolator Material	Fill Fluid	
Standard			Standard
A ⁽²⁾	316L SST	Silicone	★
B ⁽²⁾	Alloy C-276	Silicone	★
Expanded			
F	Gold-Plated 316L SST	Silicone	
Code	Flange Style	Material	
Standard			Standard
A	Coplanar	CS	★
B	Coplanar	SST	★
C	Coplanar	Cast C-276	★
J	DIN compliant traditional flange, SST 10 mm adapter/manifold bolting	SST, 7/16–20 Bolting	★
0	None (Required for Option Code S5)		★
Code	Drain/Vent Material		
Standard			Standard
A	SST		★
C	Alloy C-276		★
0	None (Required for Option Code S5)		★
Code	O-ring		
Standard			Standard
1	Glass-filled PTFE		★
Code	Process Temperature Input (RTD ordered separately)		
Standard			Standard
0	No RTD Cable		★

Table 1. Rosemount 3095F MultiVariable Flow Data Logger Ordering Information

★ The Standard offering represents the most common options. The starred options (★) should be selected for best delivery. The Expanded offering is subject to additional delivery lead time.

1	RTD input with 12 ft. (3,66 m) of Shielded Cable (intended for use with conduit)		★
2	RTD input with 24 ft. (7,32 m) of Shielded Cable (intended for use with conduit)		★
7	RTD input with 75 ft. (22,86 m) of Shielded Cable (intended for use with conduit)		★
3	RTD input with 12 ft. (3,66 m) of Armored, Shielded Cable		★
4	RTD input with 24 ft. (7,32 m) of Armored, Shielded Cable		★
8	RTD Input with 75 ft. (22,86 m) of Armored, Shielded Cable		★
A	RTD input with 12 ft. (3,66 m) ATEX/IECEX Flameproof Cable		★
B	RTD input with 24 ft. (7,32 m) ATEX/IECEX Flameproof Cable		★
C	RTD input with 75 ft. (22,86 m) ATEX/IECEX Flameproof Cable		★
Code	Transmitter Housing Material	Conduit	
Standard			Standard
A	Polyurethane-covered Aluminum	½–14 NPT	★
B	Polyurethane-covered Aluminum	M20 × 1.5 (CM20)	★
J	SST	½–14 NPT	★
K	SST	M20 × 1.5 (CM20)	★
Code	Terminal Block		
Standard			Standard
A	Standard		★
B	With Integral Transient Protection		★
Code	Display		
Standard			Standard
0	None		★
1	LCD Display		★
Code	Bracket		
Standard			Standard
0	None		★
1	Coplanar SST flange bracket for 2-in. pipe or panel mount, SST bolts		★
2	Traditional Flange Bracket for 2-in. Pipe Mounting, CS Bolts		★
3	Traditional Flange Bracket for panel Mounting, CS Bolts		★
5	Traditional Flange Bracket for 2-in. Pipe Mounting, 300-Series, SST Bolts		★
6	Traditional Flange Bracket for panel Mounting, 300-Series, SST Bolts		★
8	SST Traditional Flange Bracket for 2-in. Pipe Mounting, 300-Series, SST Bolts		★
9	SST Traditional Flange Flat Bracket for 2-in. Pipe Mounting, 300-Series, SST Bolts		★
Code	Bolts		
Standard			Standard
0	CS bolts		★
1	Austenitic 316 SST Bolts		★
N	None (Required for Option Code S5)		★
Code	Product Certifications		
Standard			Standard
0	None		★
A	FM Explosion-proof, Dust Ignition-proof		★
C	CSA Explosion-proof, Dust Ignition-proof, Division 2		★

Table 1. Rosemount 3095F MultiVariable Flow Data Logger Ordering Information

★ The Standard offering represents the most common options. The starred options (★) should be selected for best delivery. The Expanded offering is subject to additional delivery lead time.

H	ATEX Flameproof	★
P	ATEX Dust	★
7	IECEX Flameproof	★
8	IECEX Dust	★
Code	Engineered Measurement Solution (EMS)	
Standard		Standard
A	Averaging Method: Time-weighted Formulaic Averaging Compressibility Factor	★

Options (Include with selected model number)

Code	Configuration	
Standard		Standard
C1	Custom Configuration (requires completed Configuration Data Sheet)	★
Code	Process Adapter	
Standard		Standard
DF	1/2-14 NPT Process Adapter, Type Determined by Selected Flange Material: Plated CS, SST, Cast C-276	★
Code	Material Traceability Certification	
Standard		Standard
Q8	Material Traceability Certification per EN 10204 3.1	★
Code	Calibration Certificate	
Standard		Standard
Q4	Calibration Certificate	★
Code	Pressure Testing	
Expanded		
P1	Hydrostatic Testing with Certificate	
Code	Cleaning	
Expanded		
P2	Cleaning for Special Services	
Code	Integral Manifold	
Standard		Standard
S5 ⁽³⁾	Assembly with Rosemount 305 Integral Manifold	★
Code	Performance Class	
Standard		Standard
U3 ⁽⁴⁾	Ultra for Flow: ±0.05% DP reading accuracy, up to 100:1 rangedown, 10 year stability, limited 12 year warranty	★
Typical Model Number 3095F H 2 3 A B A 1 1 A B 1 1 0 A A		

(1) Communication based on Digital HART Protocol.

(2) Materials of Construction comply with metallurgical requirements highlighted within NACE MR0175/ISO 15156 for sour oil field production environments. Environmental limits apply to certain materials. Consult latest standard for details. Selected materials also conform to NACE MR0103 for sour refining environments.

(3) "Assemble-to" items are specified separately and require a completed model number.

(4) Ultra for Flow (Option U3) applicable for DP ranges 2 and 3 with SST isolator material and silicone fill fluid only.

Specifications

Functional

Service

AGA 8 Natural Gas, AGA 3 Orifice Plates
Consult factory for other fluid and primary element combinations.

Differential Sensor

Limits

- Range 2: 0 to 250 inH₂O (0 to 623 bar)
- Range 3: 0 to 1000 inH₂O (0 to 2,49 bar)

Absolute Sensor

Limits

- Range 3: 0.5 to 800 psia (0,03 to 55,2 bar)
- Range 4: 0.5 to 3,626 psia (0,03 to 250 bar)

Gage Pressure

Limits

- Range C: 0 to 800 psig (0 to 55,2 bar)
- Range D: 0 to 3,626 psig (0 to 250 bar)

Over Pressure Limit

0.5 psia (0,03 bar) to two times the absolute pressure sensor range up to a maximum of 3,626 psia (250 bar).

Static Pressure Limit

Operates within specifications between static line pressures of 0.5 psia (0,03 bar) and the URL of the absolute pressure sensor.

Flow Calculations

- 1992 AGA Report No. 3⁽¹⁾
- API MPMS Chapter 14.3⁽¹⁾
- GPA⁽¹⁾
- Flange tap configurable per corresponding AGA calculations
- Pipe Tap configurable per corresponding AGA calculations

NOTE

Flow calculations will cease when DP readings are below low flow cut off.

Compressibility Calculations

- AGA Report No. 8
- API MPMS Chapter 14.2
- Gross or Detailed Characterization Method

Data Logging

- Exceeds API MPMS 21.1
- Daily & Variable Logs have user selected time duration between 1-99 minutes
- Event Logs record alarms, configuration changes, and significant occurrences affecting flow calculation
- 50 days of daily logs maintained for user-selected process variables and calculated values when seven required API variables are logged.
- Logged files saved as ASCII file or comma separated value file.

Daily Variable Log Parameters

Maximum: DP, PT, and SP

Minimum: DP, PT, and SP

Average: DP, PT, and SP

Total: Energy, Flow, and Flow Time

Average: Energy Rate, Flow Rate, Integral Value, C', Z

Specific Gravity

Heating Value

Audit Trail

Exceeds API MPMS Chapter 21.1 standards for electronic flow measurement systems.

User Interface Software and Hardware Requirements

- PC with CD-ROM Drive
- 4 MB RAM minimum
- Microsoft® Windows® 98, NT, 2000, or XP
- 2 MB of free hard disk space

Output

Two-wire, constant 9.5mA current, data logging

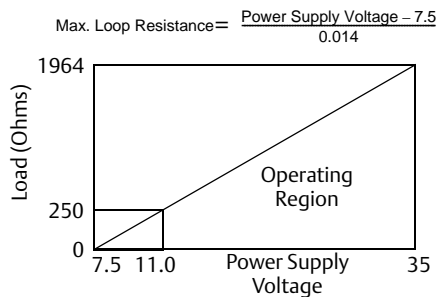
Power Supply

External power supply required. Data Logger operates on terminal voltage of 7.5–35 Vdc with a constant average operating current of 9.5 mA.

(1) "Orifice Metering of Natural Gas and Other Related Hydrocarbon Fluids." Third Edition, August 1992. Part 3 Natural Gas Applications. American Gas Association Report No. 3; American Petroleum Institute API 14.3; Gas Processor Association GPA 8185-92.

Load Limitations

Maximum loop resistance is determined by the voltage level of the external power supply, as described by:



Communication requires a minimum loop resistance of 250 ohms.

Temperature Limits

Process (at transmitter isolator flange for atmospheric pressures and above)

- -40 to 185 °F (-40 to 85 °C)

Ambient:

- -40 to 185 °F (-40 to 85 °C)
- With LCD Display⁽¹⁾: -40 to 175 °F (-40 to 80 °C)

Storage:

- -50 to 212 °F (-46 to 100 °C)
- With LCD Display: -40 to 185 °F (-40 to 85 °C)

Humidity Limits

0–100% relative humidity

Failure Mode Alarm

If self-diagnostics detect a gross transmitter failure, the output registers an alarm with each message.

Turn-on Time

Process variables will be within specifications less than 60 seconds after power is applied to transmitter.

Damping

Response to step input change can be user-selectable from 0 to 15 seconds for one time constant. This is in addition to sensor response time of 0.2 seconds.

Real-Time Clock Accuracy

±2 minutes per month at reference conditions.

Memory

Non-volatile memory per applicable A.G.A., A.P.I., and G.P.A. orifice meter and electronic flow measurement standards.

Performance

Zero-based spans, reference conditions, silicone oil fill, 316 SST isolating diaphragms, and digital trim values equal to the span end points.

Specification Conformance

The Rosemount 3095 maintains a specification conformance of measured variables to at least 3σ.

Differential Pressure

Range 2:

0–2.5 to 0–250 inH₂O (0–6,23 to 623 mbar)

Range 3:

0–10 to 0–1000 inH₂O (0–25 mbar to 0–2,5 bar)

Reference Accuracy (including Linearity, Hysteresis, Repeatability)

Range 2-3 Ultra for Flow (Option U3)⁽²⁾

- ±0.05% of DP reading up to 3:1 DP turndown from URL
- For DP turndowns up to 100:1 from URL,

$$\text{Accuracy} = \pm \left[0.05 + 0.0145 \left(\frac{\text{URL}}{\text{DP Reading}} \right) \right] \% \text{ of DP Reading}$$

Range 2-3

- ±0.075% of span for spans from 1:1 to 10:1 of URL
- For spans less than 10:1 of URL,

$$\text{Accuracy} = \pm \left[0.025 + 0.005 \left(\frac{\text{URL}}{\text{Span}} \right) \right] \% \text{ of Span}$$

Ambient Temperature Effect per 50 °F (28 °C)

Range 2-3 Ultra for Flow (Option U3)⁽²⁾

- ±0.130% of DP reading up to 3:1 DP turndown from URL
- ±[0.05 + 0.0345 (URL/DP Reading)]% of DP reading up to 100:1 DP turndown from URL

Range 2-3

- ±(0.025% URL + 0.125% span) spans from 1:1 to 30:1
- ±(0.035% URL – 0.175% span) spans from 30:1 to 100:1

Static Pressure Effects

- Zero error = ±0.05% of URL per 1,000 psi (68,95 bar)
- Span error = ±0.20% of DP Reading per 1,000 psi (68,95 bar)

Stability

Range 2-3 Ultra for Flow (Option U3)⁽²⁾

- ±0.25% of URL for 10 years; for ±50 °F (28 °C) temperature changes, up to 1000 psi (68,95 bar) line pressure

Range 2-3

- ±0.125% of URL for five years for ±50 °F (28 °C) ambient temperature changes, and up to 1000 psi (68,95 bar) line pressure.

(1) LCD Display may not be readable and LCD updates will be slow at temperatures below -4 °F (-20 °C).

(2) Ultra for Flow (option U3) applicable for DP ranges 2 and 3 with SST isolator material and silicone fill fluid options only.

Absolute/ Gage Pressure

Absolute (100:1 rangeability allowed)

Range 3

0.5–8 to 0.5–800 psia (0,03–0,552 to 0,03–55,2 bar)

Range 4

0.5–36.26 to 0.5–3,626 psia (0,03-2,5 to 0,03-250 bar)

Gage (100:1 rangeability allowed)

Range C

0–8 to 0–800 psig (0-0,552 to 0-55,2 bar)

Range D

0–36.26 to 0–3,626 psig (0-2,5 to 0-250 bar)

Reference Accuracy (including linearity, hysteresis, repeatability)

- ±0.075% of span for spans from 1:1 to 6:1 of URL
- For spans less than 6:1 rangedown

$$\text{Accuracy} = \pm \left[0.03 + 0.0075 \left(\frac{\text{URL}}{\text{Span}} \right) \right] \% \text{ of span}$$

Ambient Temperature Effect per 50 °F (28 °C)

- ±(0.05% URL + 0.125% of span) spans from 1:1 to 30:1
- ±(0.06% URL - 0.175% of span) spans from 30:1 to 100:1

Stability

- ±0.125% of URL for five years for ±50 °F (28 °C) ambient temperature changes, and up to 1000 psi (68,95 bar) line pressure.

Process Temperature (RTD)

Specification for process temperature is for the transmitter portion only. Sensor errors caused by the RTD are not included. The transmitter is compatible with any PT100 RTD conforming to IEC 751 Class B, which has a nominal resistance of 100 ohms at 0 °C and $\alpha = 0.00385$. Examples of compatible RTDs include the Rosemount Series 68 and 78 RTD Temperature Sensors.

Range

–40 to 185 °F (–40 to 85 °C). May be limited by the flow calculation characterization method.

Accuracy (including Linearity, Hysteresis, Repeatability)

±1.0 °F (0.56 °C)

Ambient Temperature Effects

±0.72 °F (0.40 °C) per 50 °F (28 °C)

Stability

±1.0 °F (0.56 °C) for one year

Physical

Security

Transmitter security switch mounted on electronics board, when enabled prevents changes to transmitter security. User Interface Software provides three levels of password security, they are as follows:

- System Administrator (one password)
- Maintenance (three passwords)
- Operation (six passwords)

Electrical Connections

½–14 NPT, M20 x 1.5 (CM20), PG-13.5

Process Connections

Transmitter

- ¼–18 NPT on 2¹/₈-in. centers.

RTD

- RTD dependent (see “Options” on page 12)

RTD Process Temperature Input

100-ohm platinum RTD per IEC-751 Class B

Process Wetted Parts

Isolating Diaphragms

- 316L SST or Alloy C-276

Drain/Vent Valves

- 316 SST or Alloy C-276

Flanges

- Plated carbon steel, 316 SST, or Alloy C-276

Wetted O-rings

- Glass-Filled PTFE

Non-Wetted Parts

Electronics Housing

- Low copper aluminum

Bolts

- Plated carbon steel per ASTM A449, Grade 5; or austenitic 316 SST

Fill Fluid

- Silicone oil

Paint

- Polyurethane

O-rings

- Buna-N

Weight

Component	Weight in lb (kg)
Rosemount 3095FT Transmitter	6.0 (2.7)
LCD Display	0.5 (0.2)
SST Mounting Bracket	1.0 (0.4)
12 ft (3.66 m) RTD Shielded Cable	0.5 (0.2)
12 ft (3.66 m) RTD Armored Cable	1.1 (0.5)
12 ft. (3.66 m) RTD ATEX/IECEX Cable	2.1 (0.9)
24 ft (7.32 m) RTD Shielded Cable	1.0 (0.4)
24 ft (7.32 m) RTD Armored Cable	2.2 (1.0)
24 ft. (7.32 m) RTD ATEX/IECEX Cable	3.0 (1.4)
75 ft (22.86 m) RTD Shielded Cable	1.9 (0.9)
75 ft (22.86 m) RTD Armored Cable	7.2 (3.2)
75 ft. (22.86 m) RTD ATEX/IECEX Cable	7.1 (3.2)

Product certifications

Approved Manufacturing Locations

Rosemount Inc. — Chanhassen, Minnesota USA

European Directive Information

The EC declaration of conformity for all applicable European directives for this product can be found on the Rosemount website at www.rosemount.com. A hard copy may be obtained by contacting our local sales office.

ATEX Directive (94/9/EC)

Emerson Process Management complies with the ATEX Directive.

European Pressure Equipment Directive (PED) (97/23/EC)

3095F_2/3,4/D Flow Transmitters — QS Certificate of Assessment - EC No. PED-H-100 Module H Conformity Assessment

All other 3095_ Transmitters/Level Controller — Sound Engineering Practice

Transmitter Attachments: Process Flange - Manifold — Sound Engineering Practice

Electro Magnetic Compatibility (EMC) (2004/108/EC)

3095FT Flow Transmitters — EN 61326:1997/ A1, A2, and A3

Ordinary Location Certification for Factory Mutual

As standard, the transmitter has been examined and tested to determine that the design meets basic electrical, mechanical, and fire protection requirements by FM, a nationally recognized testing laboratory (NRTL) as accredited by the Federal Occupational Safety and Health Administration (OSHA).

Hazardous Locations Certifications

North American Certifications


FM Approvals

- A Explosion Proof for Class I, Division 1, Groups B, C, and D. Dust-Ignition Proof for Class II, Division 1, Groups E, F, and G. Suitable for Class III, Division 1, indoor and outdoor (Type 4X) hazardous locations. Factory Sealed. Provides non-incendive RTD connections for Class I, Division 2, Groups A, B, C, and D. Install per Rosemount drawing 03095-1025.

Canadian Standards Association (CSA)


- C Explosion Proof for Class I, Division 1, Groups B, C, and D. Dust-Ignition Proof for Class II, Division 1, Groups E, F, and G. Suitable for Class III, Division 1, indoor and outdoor hazardous locations, CSA enclosure Type 4X. Factory Sealed. Provides non-incendive RTD connection for Class I, Division 2, Groups A, B, C, and D. Approved for Class I, Division 2, Groups A, B, C, and D. Install in accordance with Rosemount Drawing 03095-1024.

European Certifications

- H ATEX Flameproof
Certificate Number: KEMA02ATEX2320X  II 1/2 G
EEx d IIC T5 (-50 °C ≤ T_{amb} ≤ 80 °C)
T6 (-50 °C ≤ T_{amb} ≤ 65 °C)
CE 1180

Special Conditions for Safe Use (x):

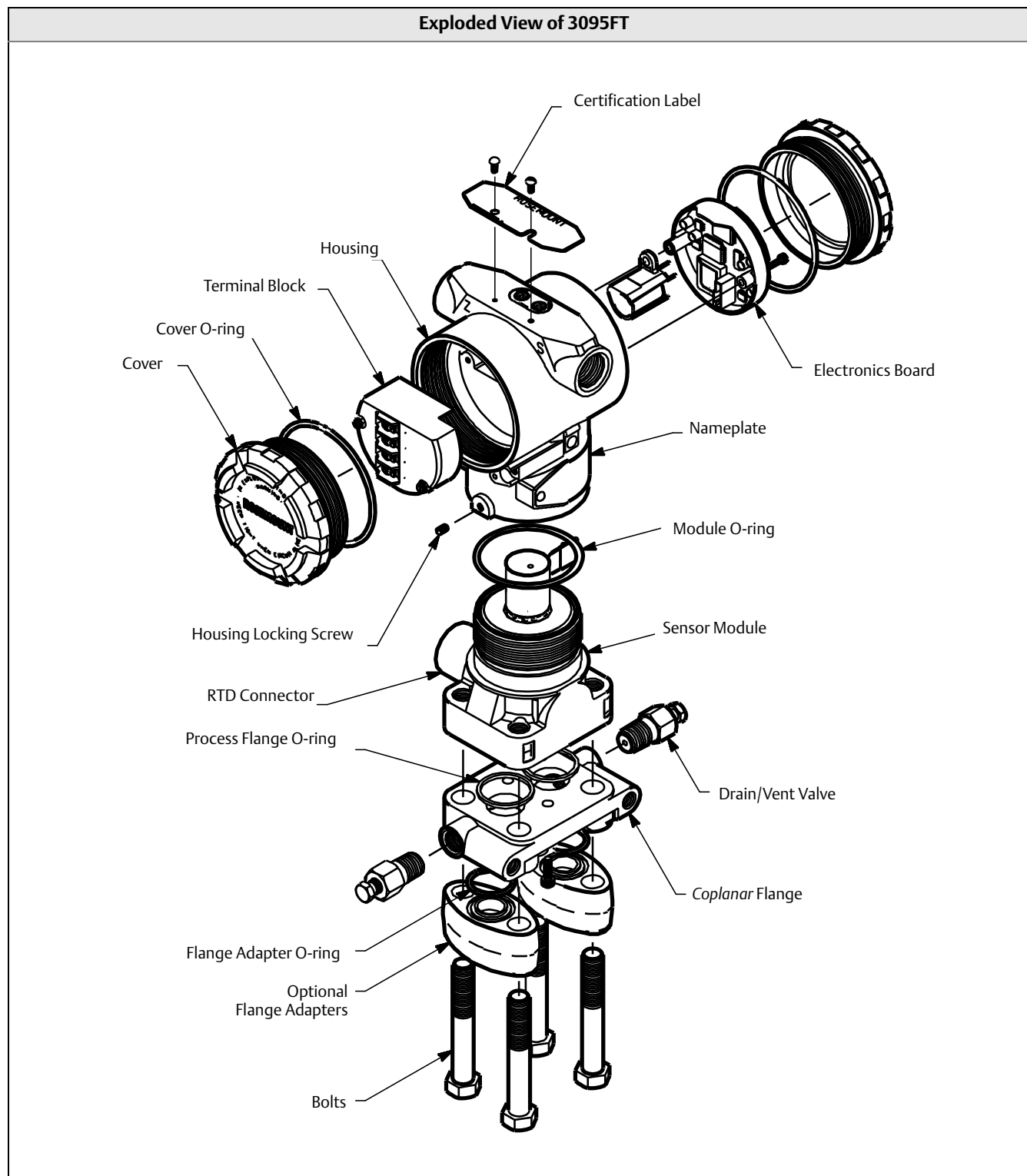
The device contains a thin wall diaphragm. Installation, maintenance, and use shall take into account the environmental conditions to which the diaphragm will be subjected. The manufacturer's instructions for installation and maintenance shall be followed in detail to assure safety during its expected lifetime.

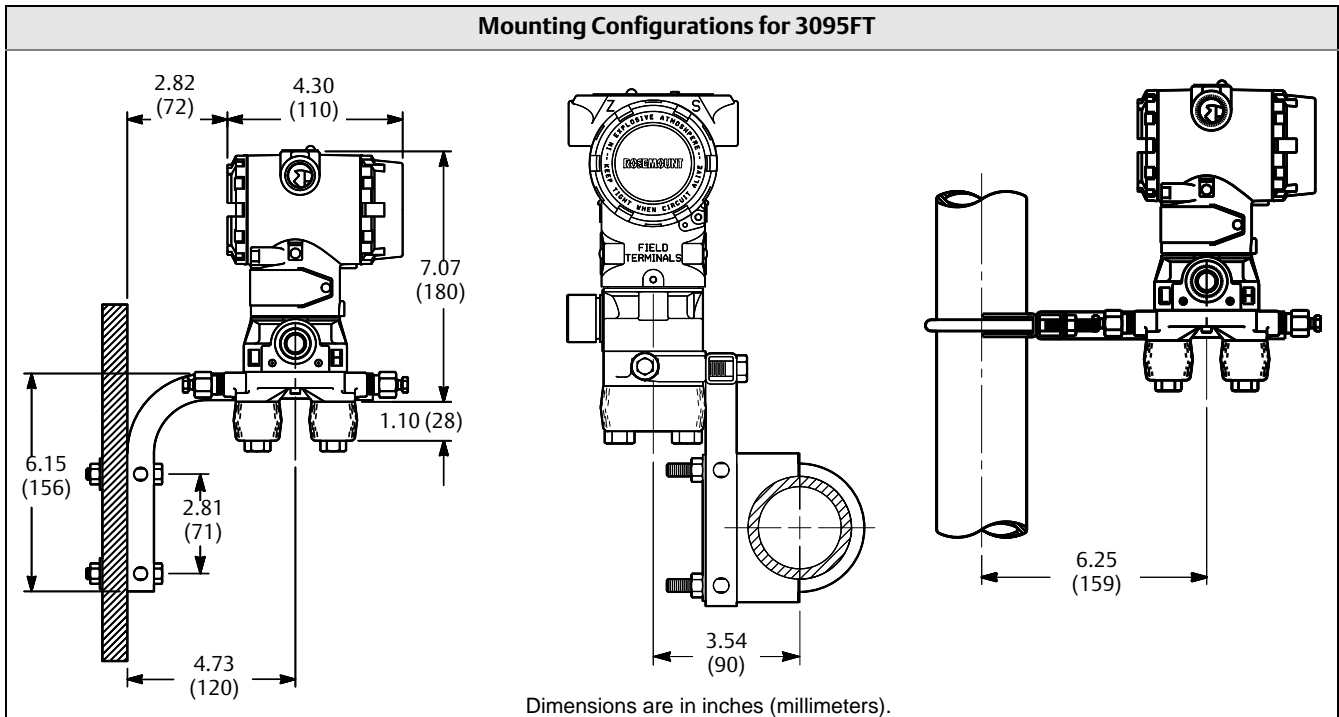
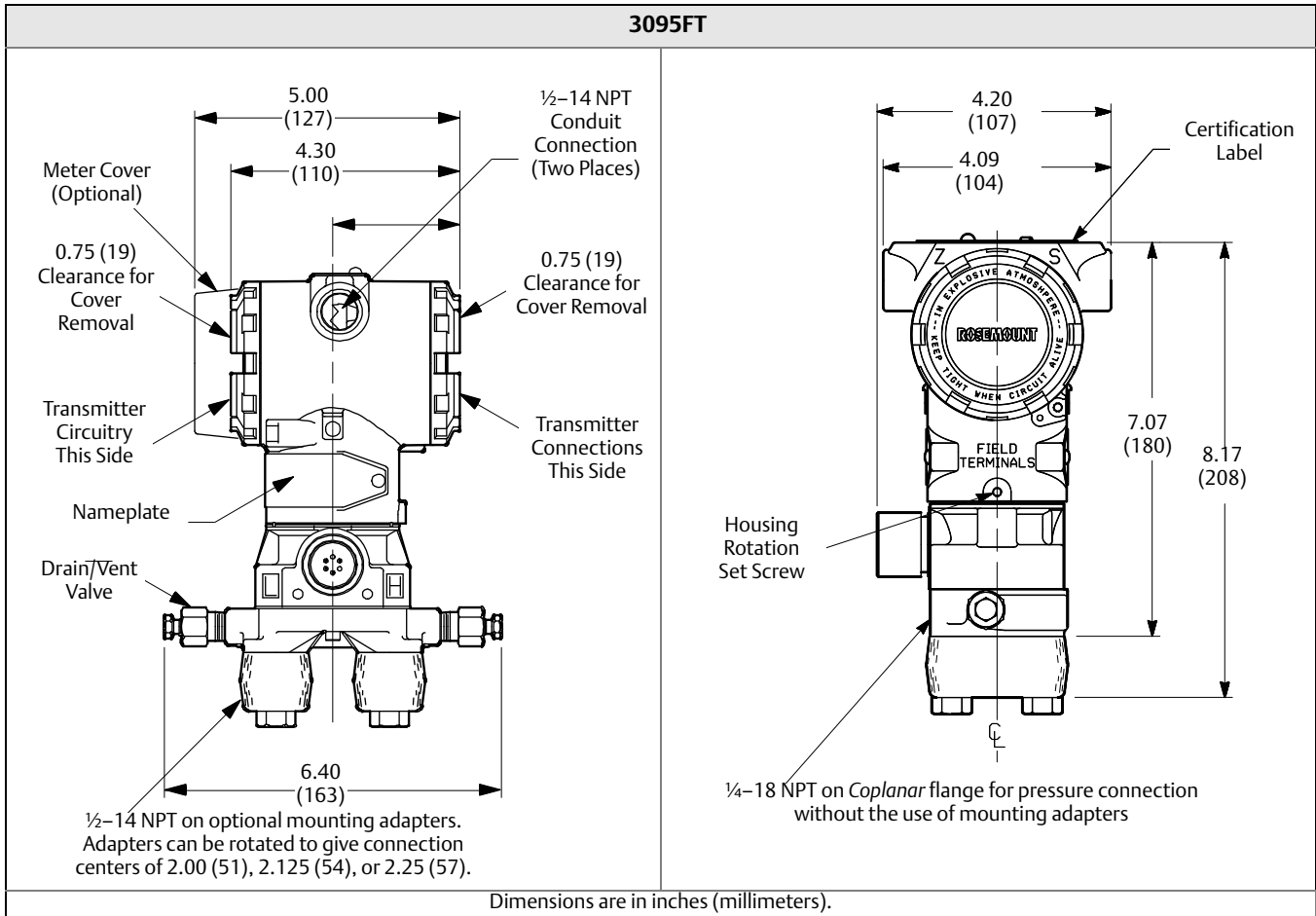
- P ATEX Dust
Certificate Number: KEMA02ATEX2321  II 1 D
V = 55 Vdc MAX
I = 23 mA MAX
IP66
CE 1180

IECEX Certifications

- 7 IECEX Flameproof
Certificate Number: IECEX KEM 06.0018
Zone 0/1 Ex d IIC T6 (-20 °C ≤ T_a ≤ 65 °C)
Zone 0/1 Ex d IIC T5 (-20 °C ≤ T_a ≤ 80 °C)
V_{max} = 55 Vdc
I_{max} = 23 mAdc
- 8 IECEX Dust
Certificate Number: IECEX KEM 06.0018
Ex tD A22 T90°C
IP66

Dimensional drawings





Options

Standard Configuration

Unless otherwise specified, the transmitter is shipped as follows:

Engineering units:	
Differential	inH ₂ O at 60 °F (All ranges)
Absolute/gage	psi (all ranges)
Output:	9.5mA with Data Logging
Flange type:	Specified model code option
Flange material:	Specified model code option
O-ring material:	Specified model code option
Drain/vent:	Specified model code option
Flow Configuration Parameters:	Factory default
Software tag:	(Blank)

Custom Configuration (Option Code C1)

If Option Code C1 is ordered, the customer specifies the following information for the 3095FT in addition to the standard configuration parameters.

Configuration Data Sheet (see rosemount.com): Gas composition parameters, contract hour, log parameters, LCD display parameters, meter run configuration parameters, low flow cut-off, passwords, static pressure tap location, static pressure measurement, damping, descriptor, message, and upper and lower trim points for each process variable.

Tagging

Three customer tagging options are available:

- Standard SST tag is wired to the transmitter.
Tag character height is 0.125 in. (3,18 mm), 85 characters maximum.
- Tag may be stored in transmitter memory. Software tag (8 characters maximum) is left blank unless specified.
- Tag may be permanently stamped on transmitter nameplate upon request. Tag character height is 0.0625 in. (1,59 mm), 65 characters maximum.
- Software tag (8 characters maximum) is left blank unless specified.

Additional information

Rosemount transmitters are available as fully assembled and factory calibrated flowmeters. Flowmeter Product Data Sheets are listed below:

- Orifice Plate Primary Element Systems: 00813-0100-4792
Rosemount 1495 Orifice Plate
Rosemount 1496 Flange Union
Rosemount 1497 Meter Section

Accessories

3095FT User Interface Software Packages

All configurations are packaged separately.

Windows 98, NT, 2000, and XP

- Single PC license: 03095-5100-0104
Site license: 03095-5100-0105
- Single PC license, Serial Port HART Modem and cables: 3095-5100-0102
- Single PC license, USB HART Modem and Cables (Requires Windows XP or 2000 Operating System): 03095-5100-0103

Communication Accessories

Item Description	Part Number
Serial Port HART Modem and Cables Only	03095-5105-0001
USB Port HART Modem and Cables Only	03095-5105-0002

Emerson Process Management

Rosemount Inc.
8200 Market Boulevard
Chanhassen, MN 55317 USA
T (U.S.) 1-800-999-9307
T (International) (952) 906-8888
F (952) 906-8889
www.rosemount.com

Emerson Process Management

Blegistrasse 23
P.O. Box 1046
CH 6341 Baar
Switzerland
T +41 (0) 41 768 6111
F +41 (0) 41 768 6300
www.rosemount.com

Emerson Process Management

Blegistrasse 23
P.O. Box 1046
CH 6341 Baar
Switzerland
T +41 (0) 41 768 6111
F +41 (0) 41 768 6300
www.rosemount.com

Emerson Process Management

Asia Pacific Pte Ltd
1 Pandan Crescent
Singapore 128461
T +65 6777 8211
F +65 6777 0947
Service Support Hotline: +65 6770 8711
Email: Enquiries@AP.EmersonProcess.com
www.rosemount.com

Emerson Process Management

Blegistrasse 23
P.O. Box 1046
CH 6341 Baar
Switzerland
T +41 (0) 41 768 6111
F +41 (0) 41 768 6300
www.rosemount.com

Emerson Process Management

Blegistrasse 23
P.O. Box 1046
CH 6341 Baar
Switzerland
T +41 (0) 41 768 6111
F +41 (0) 41 768 6300
www.rosemount.com

Standard Terms and Conditions of Sale can be found at www.rosemount.com/terms_of_sale

The Emerson logo is a trade mark and service mark of Emerson Electric Co.
Rosemount and the Rosemount logotype are registered trademarks of Rosemount Inc.
PlantWeb is a registered trademark of one of the Emerson Process Management group of companies.

HART and WirelessHART are registered trademarks of the HART Communication Foundation

Modbus is a trademark of Modicon, Inc.

All other marks are the property of their respective owners.

© 2012 Rosemount Inc. All rights reserved.