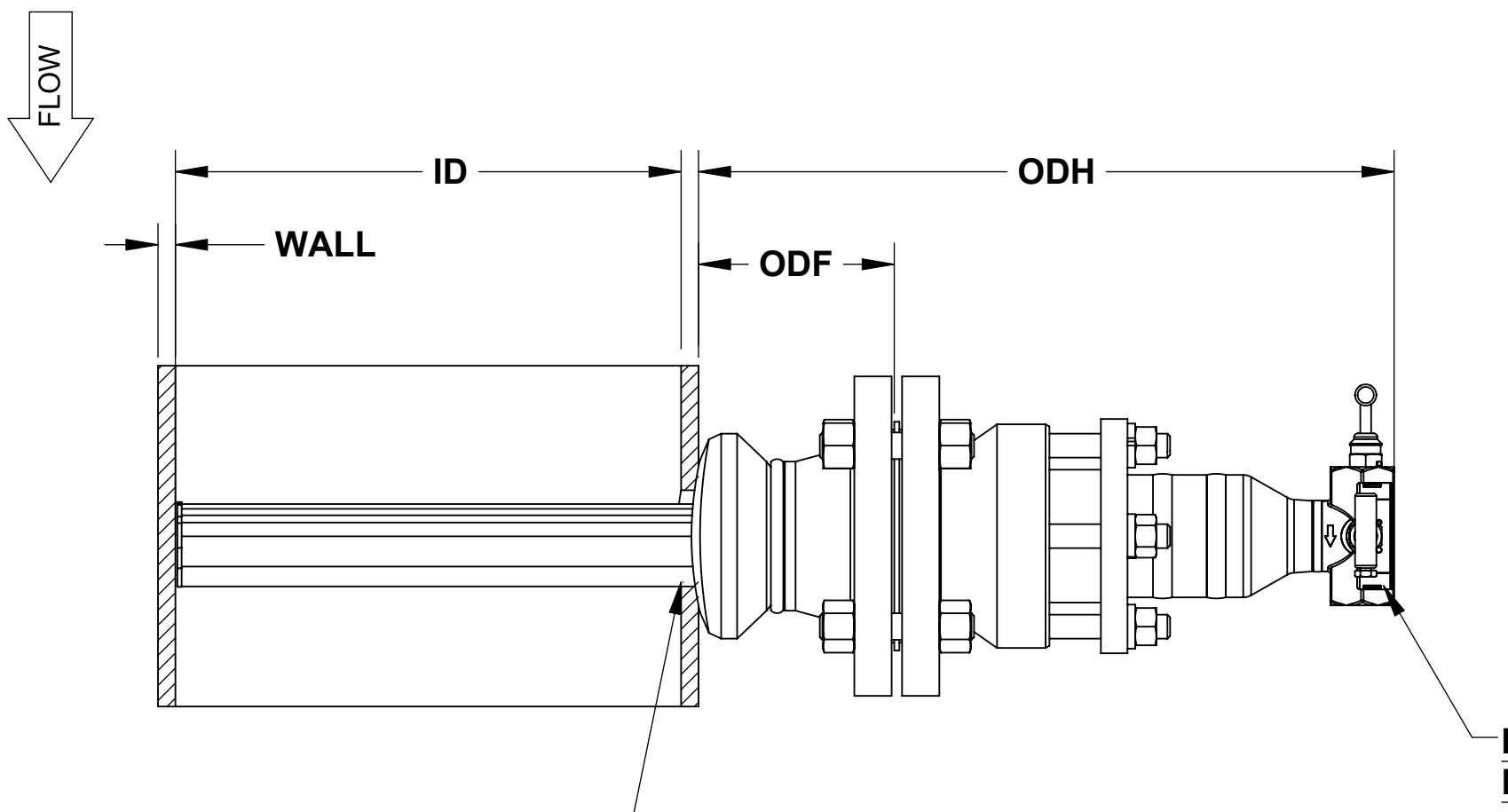
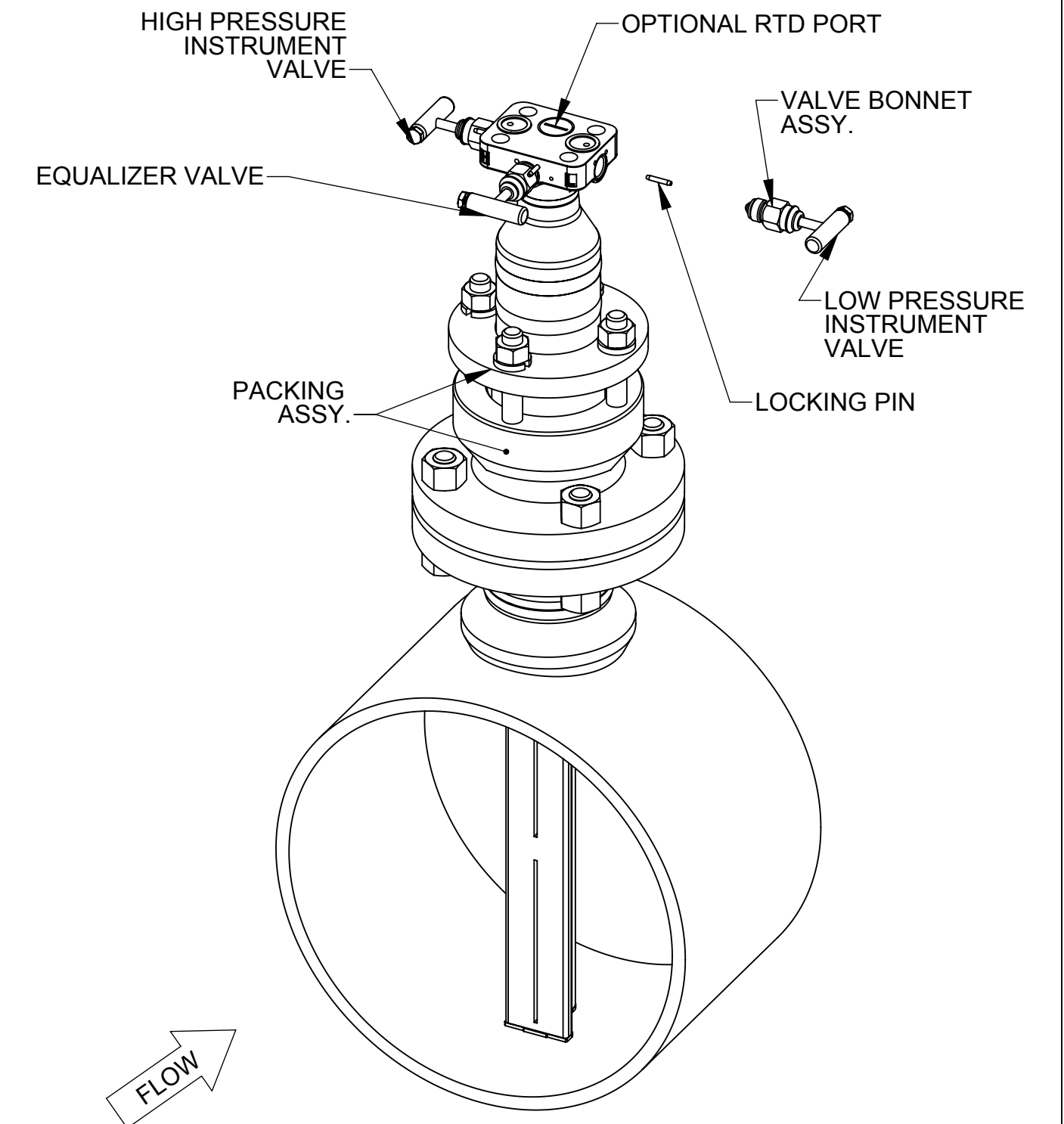
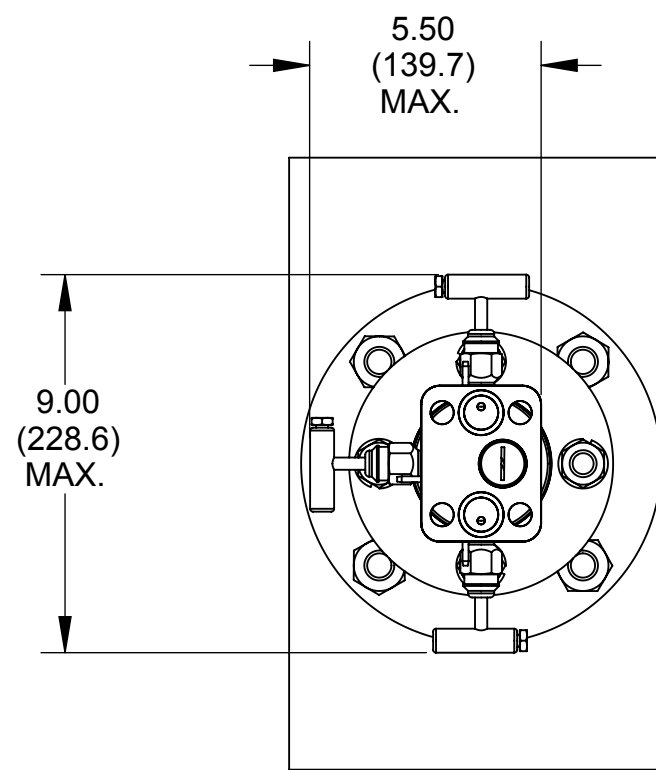
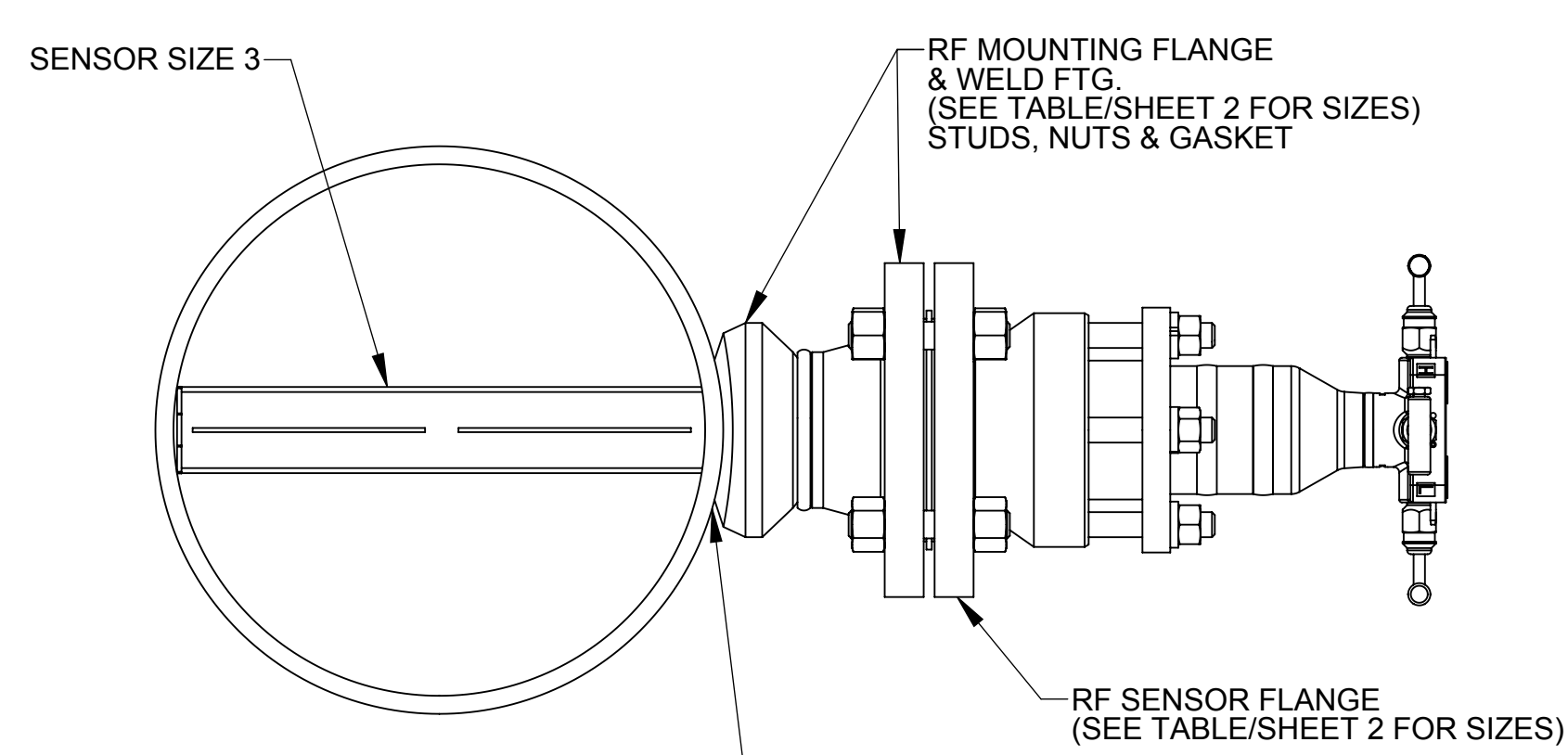


REVISIONS				
REV	DESCRIPTION	CHG.NO.	APP'D	DATE
AB	ADDED LOW TIER TRANSMITTER	DSI1003150	JR	02/15/10



NOTICE
 FOR ACCURATE FLOW MEASUREMENT
 THE CORRECT HOLE SIZE IN PIPE MUST BE:
2-1/2 INCH (64mm)
 DO NOT DRILL OVERSIZE
 DO NOT TORCH CUT HOLE

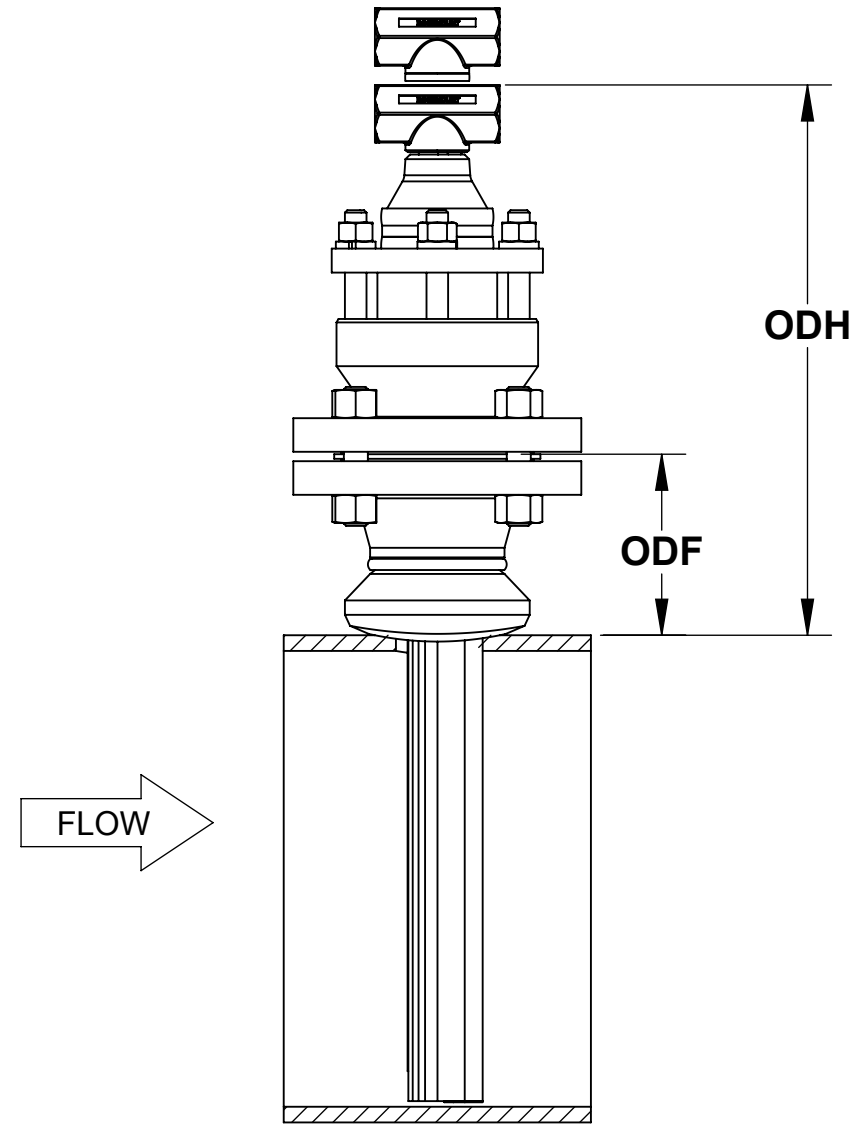
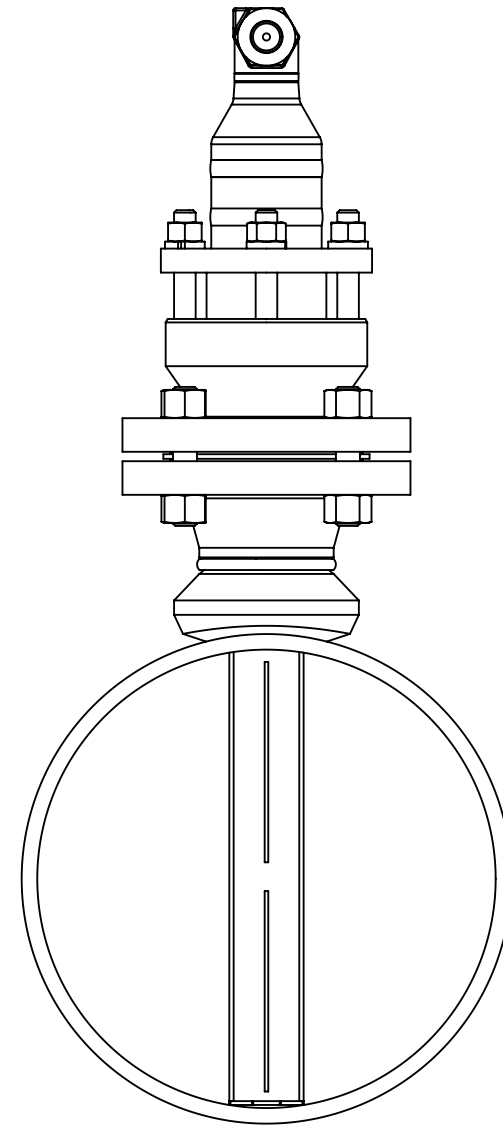
**INTEGRAL MOUNT
 HEAD OPTION**

**FLANGE-LOK
 SENSOR SIZE 3**

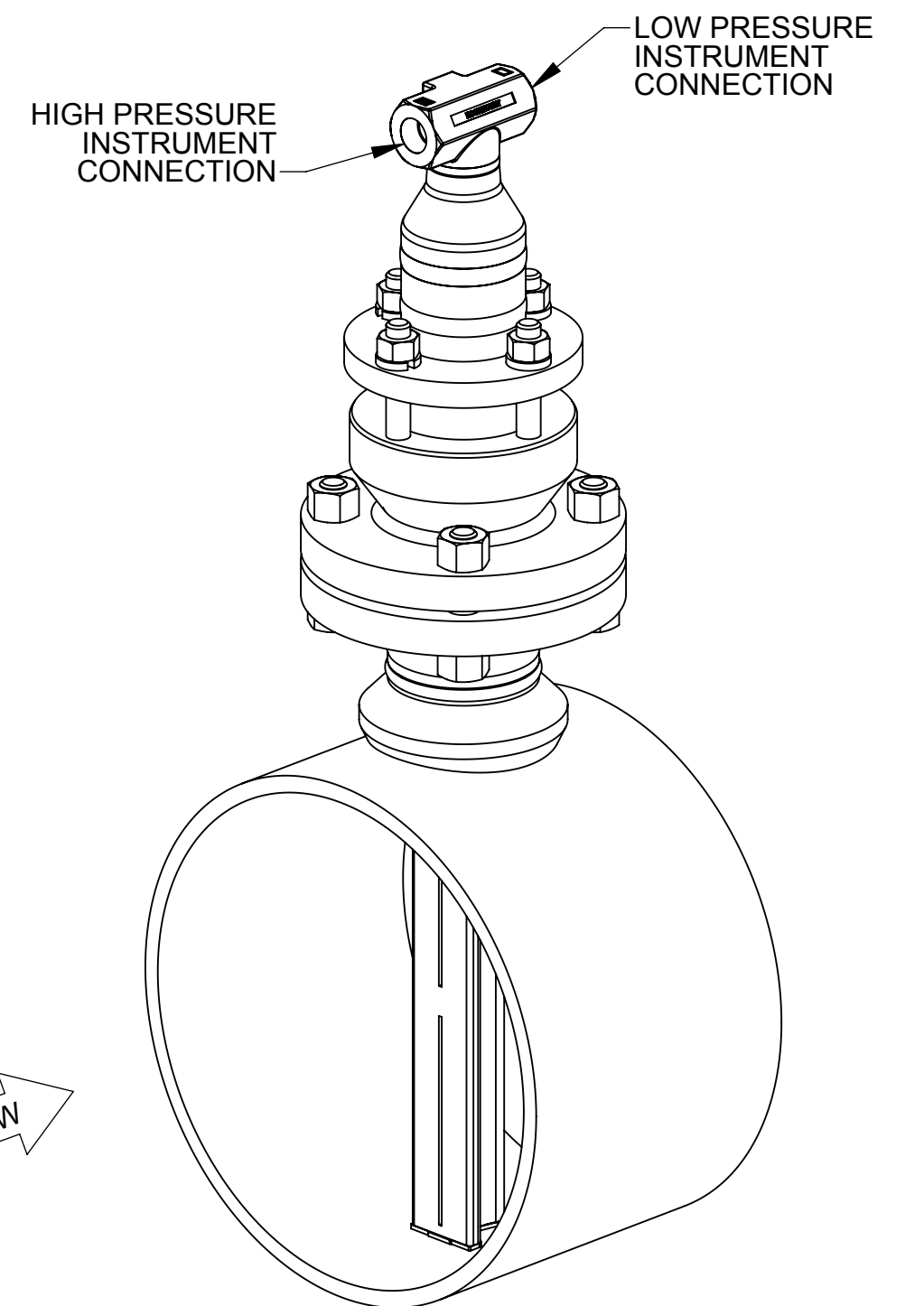
NOTE: UNLESS OTHERWISE SPECIFIED
 ALL INFORMATION IS BOTH (TYP) & GENERAL
 TO STANDARD PRODUCT DESIGN
 ALL PIPE SECTIONS SHOWN FOR REFERENCE ONLY

*UNLESS OTHERWISE SPECIFIED DIMENSIONS IN INCHES (MM) *ALL DIMENSIONS ARE NOMINAL AND ARE FOR REFERENCE ONLY 	TYPE I		ROSEMOUNT® BOULDER, COLORADO	
	DR.	JPAYLOR	10/31/05	TITLE DIMENSION DRAWING, MODEL 485 ANNUBAR FLOWMETER (3051SFA, 3051CFA, 2051CFA, 3095MFA) SENSOR SIZE 3 FLANGE-LOK
	APPROVAL			
	DRAWING	D.VERHAAGEN	1/9/06	
	TAGGING			SIZE A
SPECIALS			SCALE: NONE	SHEET 1 OF 3

FLANGE-LOK SENSOR SIZE 3					
Min. Rod Reynolds	Probe Width	Flange Rating	Flange Size (NPS)	All Flange-Lok	
				ODF	ODH (MAX.)
25000	1.935 (49.15)	150# ANSI	3sch40	4.620 (117.35)	17.50 (444.5)
		300# ANSI		5.000 (127.00)	
		600# ANSI		5.380 (136.66)	
		DN/PN 16	DN80	3.840 (97.54)	
		DN/PN 40		4.160 (105.67)	
		DN/PN 100		4.950 (125.73)	
		150# RTJ	3sch40	4.810 (122.18)	
		300# RTJ		5.250 (133.35)	
600# RTJ	5.690 (144.53)				

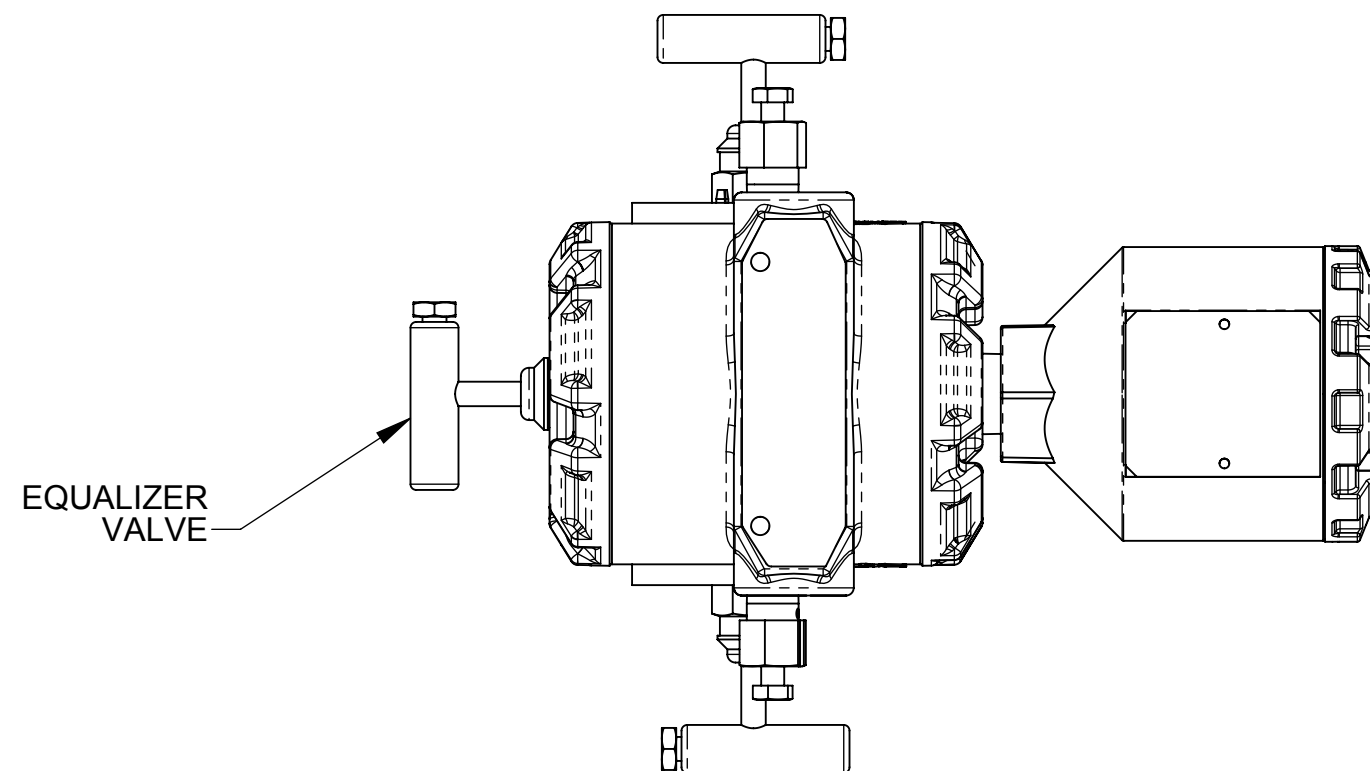
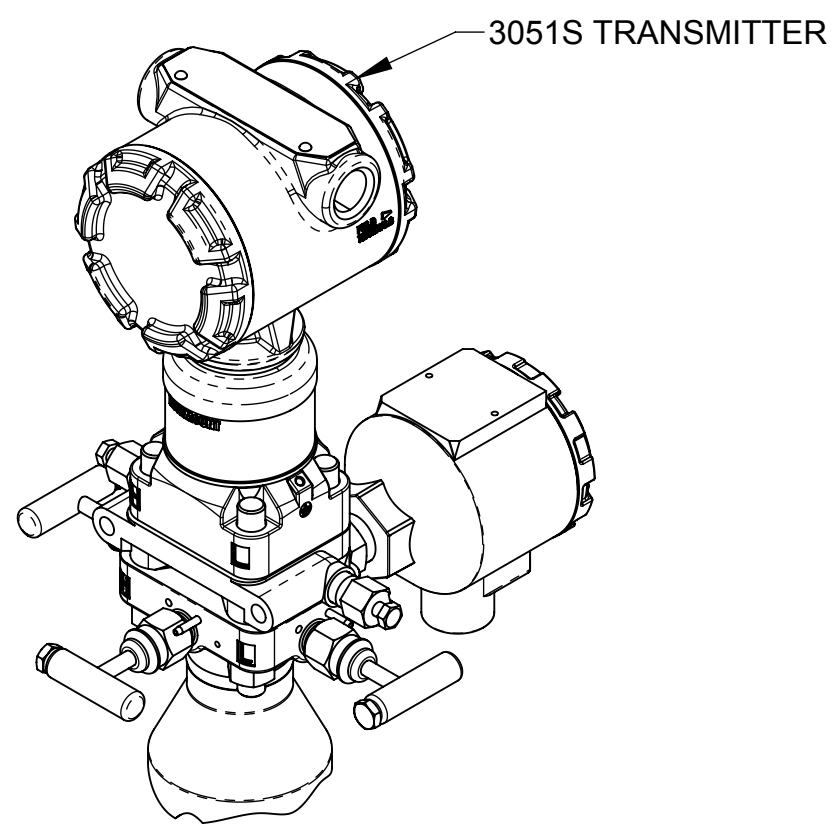


**FLANGE-LOK
HORIZONTAL FLOW
REMOTE MOUNT INSTRUMENT CONNECTIONS
(NO INSTRUMENT VALVES SHOWN)**

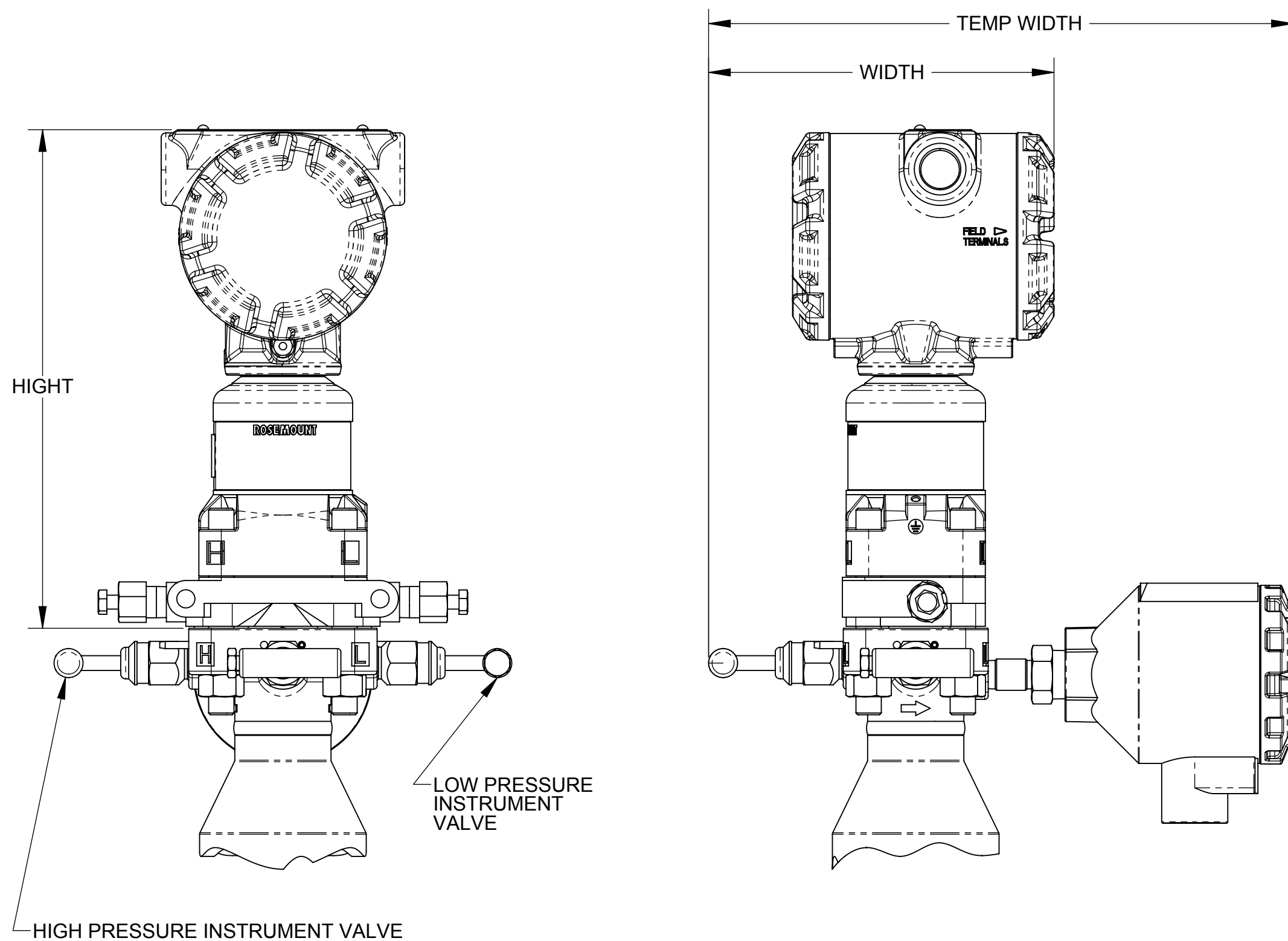


NOTES:

- ROSEMOUNT INC. CERTIFIES THIS DRAWING IS IN ACCORDANCE WITH ROSEMOUNT ENGINEERING SPECIFICATIONS AND ACCURATELY REPRESENTS THE EQUIPMENT FURNISHED.
- ALL ORIENTATIONS SHOWN FOR REFERENCE ONLY. FOR ACTUAL RECOMMENDED LOCATIONS AND ORIENTATIONS REFER TO INSTALLATION INSTRUCTION MANUAL 00809-0100-4809, QUICK INSTALLATION GUIDE (QIG) 00825-0200-4809.
- FIELD WELD. REFER TO INSTALLATION INSTRUCTIONS FOR WELD REQUIREMENTS.
- MAXIMUM PRESSURE: 600lb ANSI EQUIVALENT (1440 PSIG AT 100°F/ 9928.5Kpa g at 37.8C) FOR 316SS.
- MAX TEMPERATURE: 500°F (260 C) FOR INTEGRAL TRANSMITTER MOUNTING
850°F (454.4 C) FOR STAINLESS STEEL REMOTE TRANSMITTER MOUNTING
1250°F (676.7 C) FOR HASTELLOY REMOTE TRANSMITTER MOUNTING
- FOR MODEL SELECTIONS, REFER TO ROSEMOUNT PRODUCT DATA SHEETS.



3051SFA, STD HARDWARE



3051SFA SHOWN

FLOWMETER	HEIGHT	WIDTH	TEMP WIDTH
2051CFA	7.03 [178,5]	5.50 [139,7]	10.09 [256,3]
3051CFA	7.1 (181)	5.67 [144,0]	
3051SFA	8.53 (216.7)	5.67 [144,0]	
3095MFA	7.1 (181)	5.67 [144,0]	

ROSEMOUNT®
BOULDER, COLORADO

SIZE A	FSCM.NO.	DRAWING NO. 00485-1017
SCALE: NONE WT.		SHEET 3 OF 3