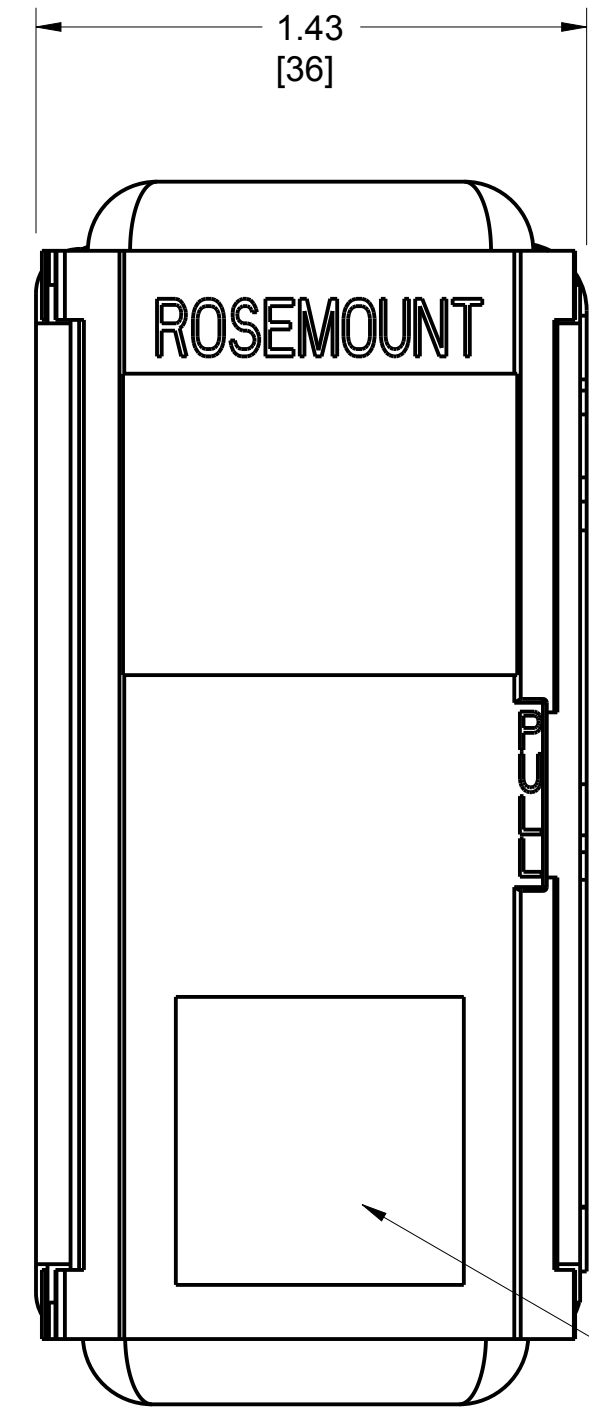
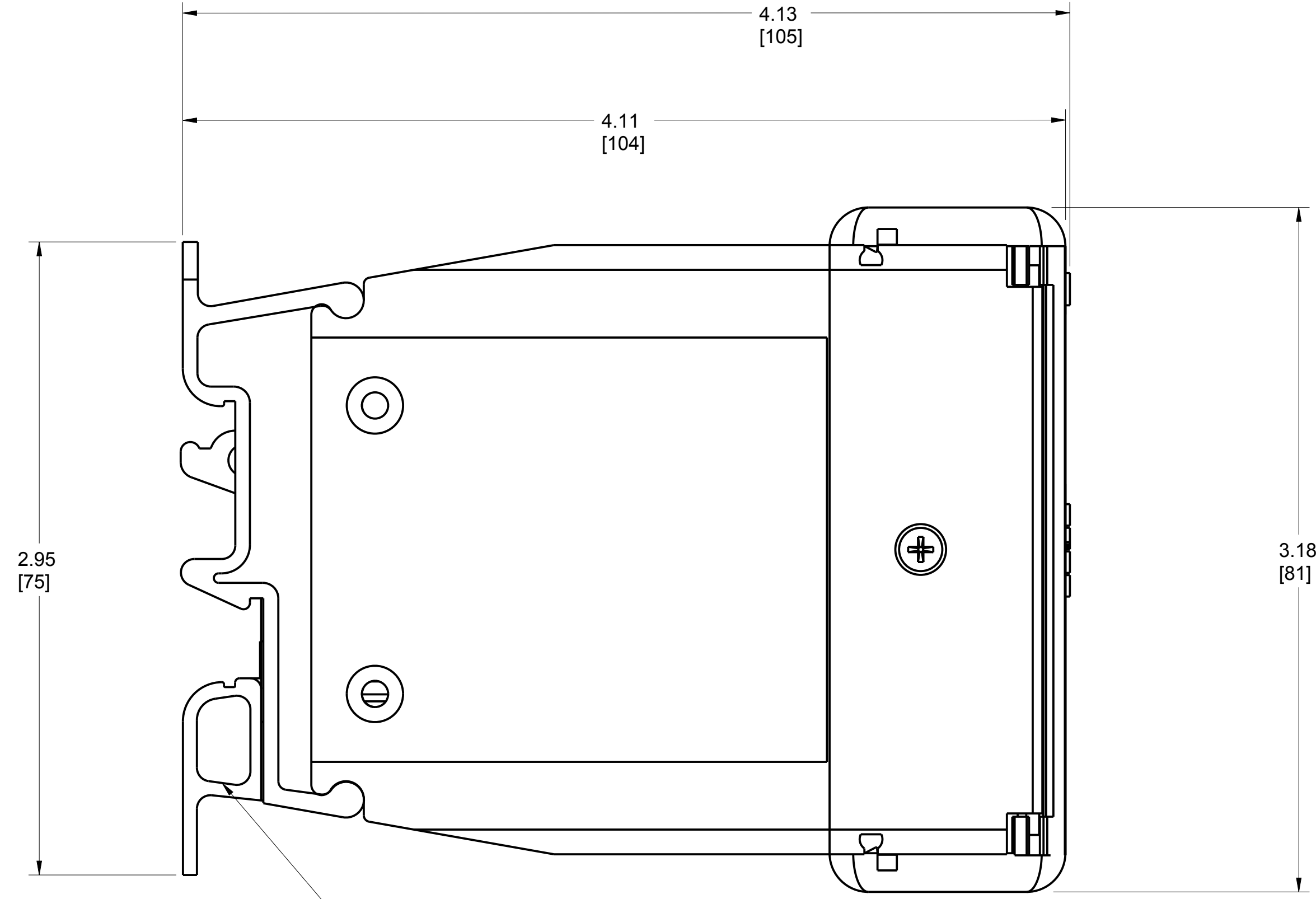


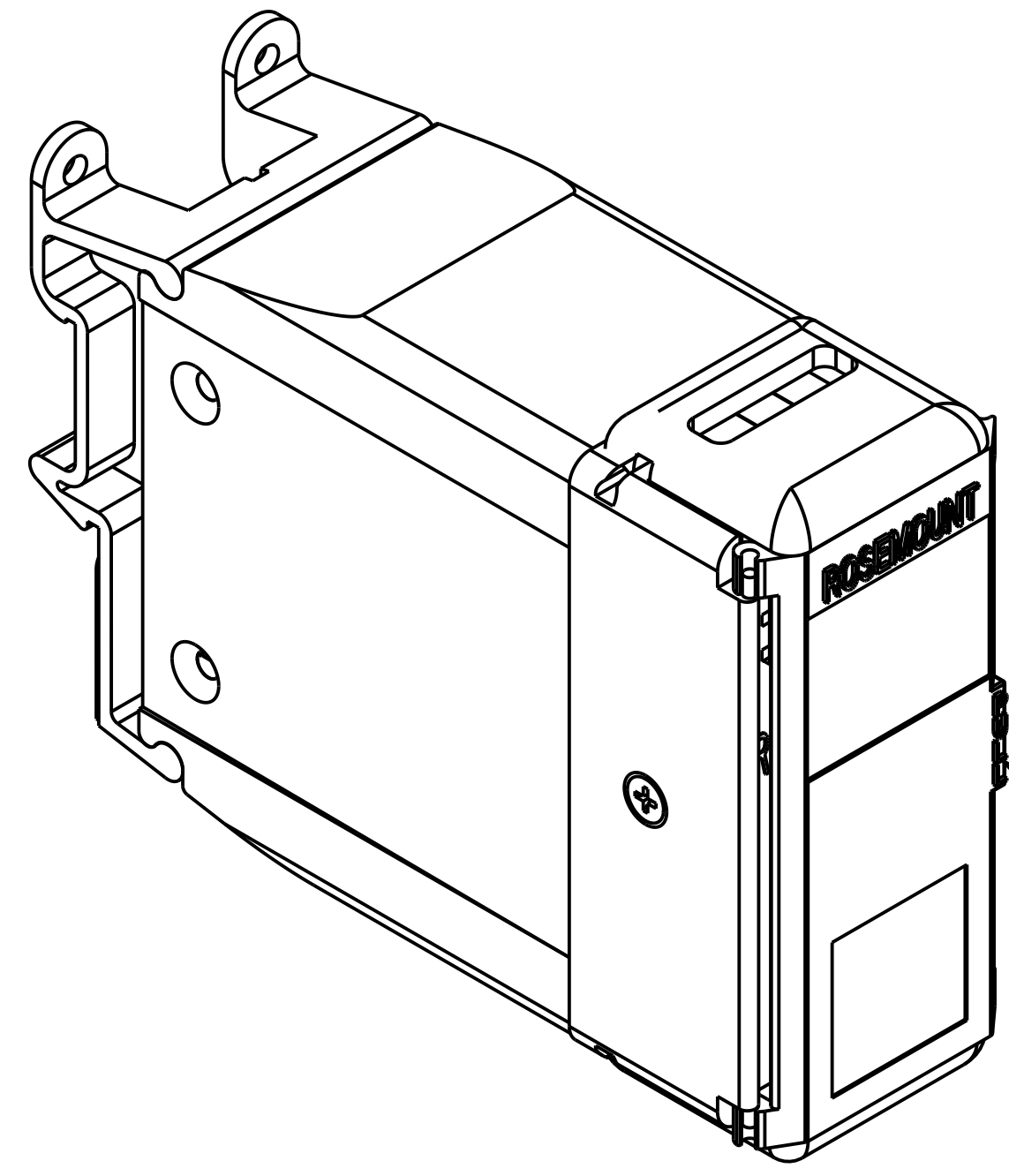
ROSEMOUNT 644 RAIL MOUNT TEMPERATURE TRANSMITTER

REVISION TABLE			
REVISION	ECO NO.	APP'D	DATE
AD	RTC1067430	M. DOBRATZ	2/7/17
DESCRIPTION			
UPDATE CALL-OUTS AND DIMENSIONS. CHANGE TITLEBLOCKS			



BRACKET MOUNT (INCLUDED)

POWER/SIGNAL TERMINALS INSIDE



644R COVER DOOR

©2015 ROSEMOUNT INC.
ROSEMOUNT INC. CERTIFIES
THIS DRAWING IS IN
ACCORDANCE WITH
ROSEMOUNT ENGINEERING
SPECIFICATIONS.
UNIT NOTES IN INCHES (mm).
REFERENCE ROSEMOUNT
PRODUCT SPECIFICATIONS.
CLICK HERE

EMERSON

TITLE ROSEMOUNT 644 RAIL MOUNT
TYPE I DRAWING

DR. J. ARMSTRONG	2/7/17	DRAWING NO.	00644-0013
APP'D M. DOBRATZ	2/7/17		

CAD MAINTAINED, (PROE) SHEET 1 OF 1