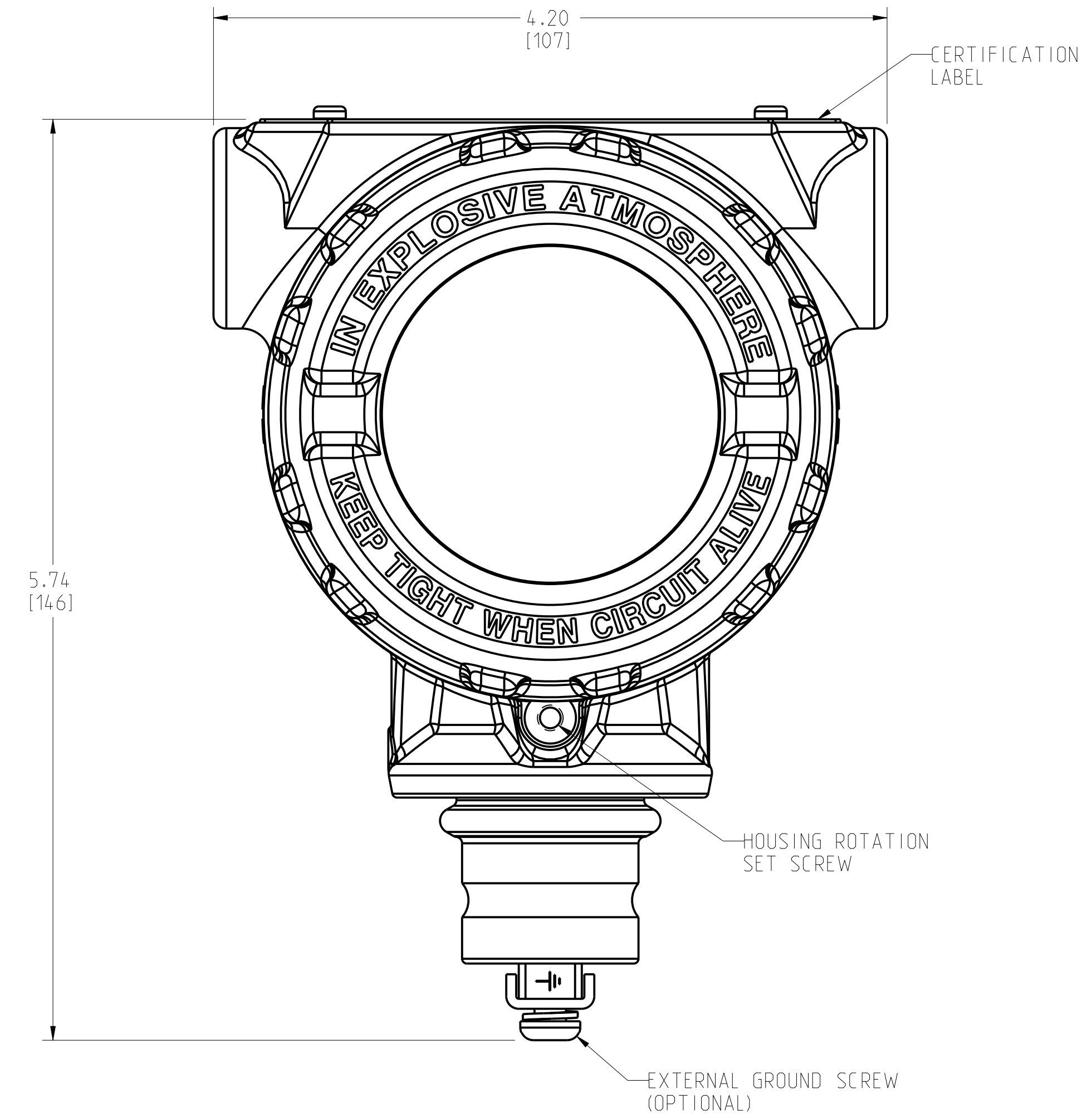
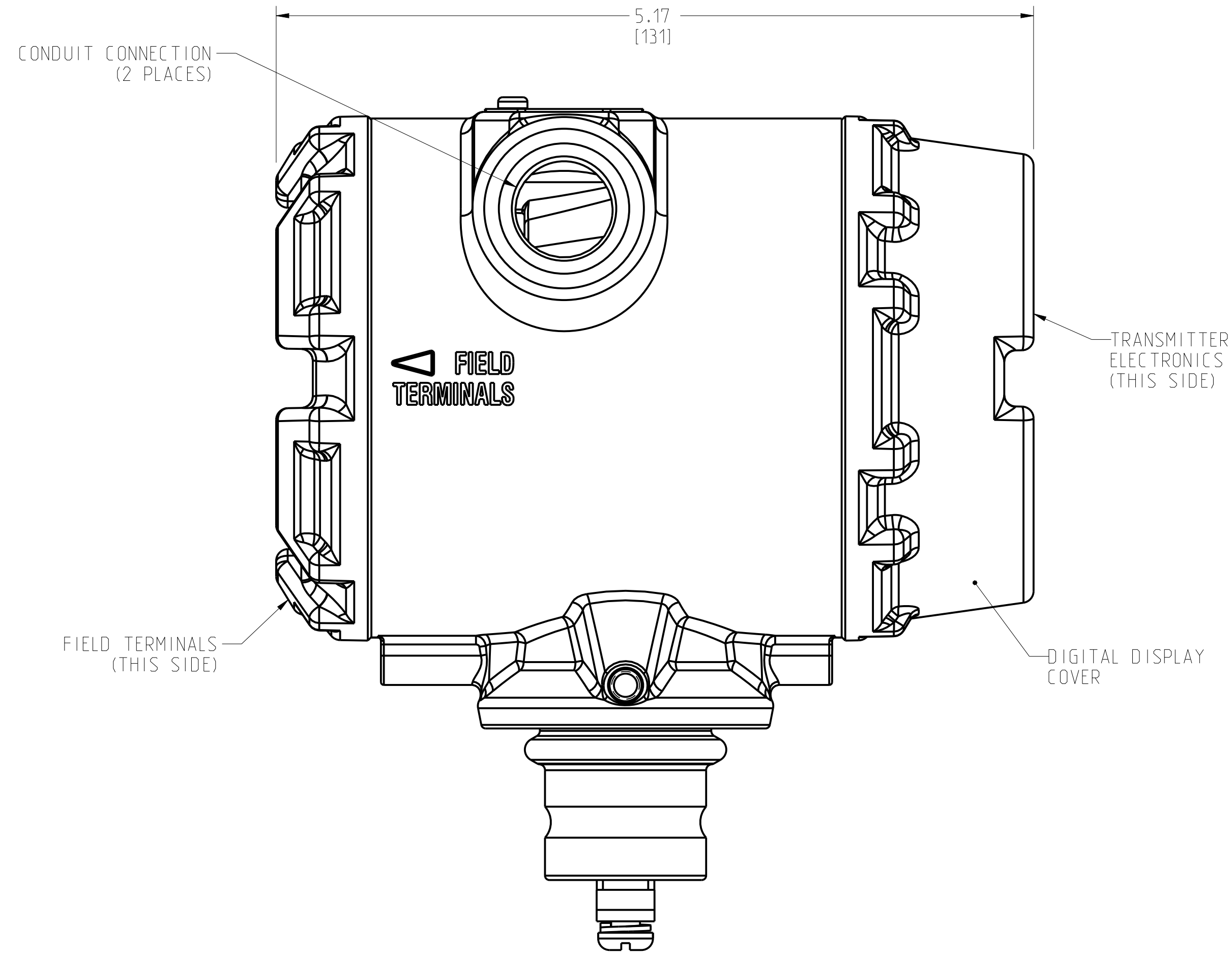


ROSEMOUNT 752 FIELDBUS REMOTE INDICATOR

REVISION TABLE			
REVISION	ECO NO.	APP'D	DATE
AB	RTC1057331	JR	6/25/13
DESCRIPTION			
CONVERT TO PRO-E			



2. .75 [19] CLEARANCE REQUIRED TO REMOVE COVERS.

1. ROSEMOUNT INC. CERTIFIES THESE DRAWINGS ARE IN ACCORDANCE WITH ROSEMOUNT ENGINEERING SPECIFICATIONS AND ACCURATELY REPRESENT THE EQUIPMENT FURNISHED.

NOTES:

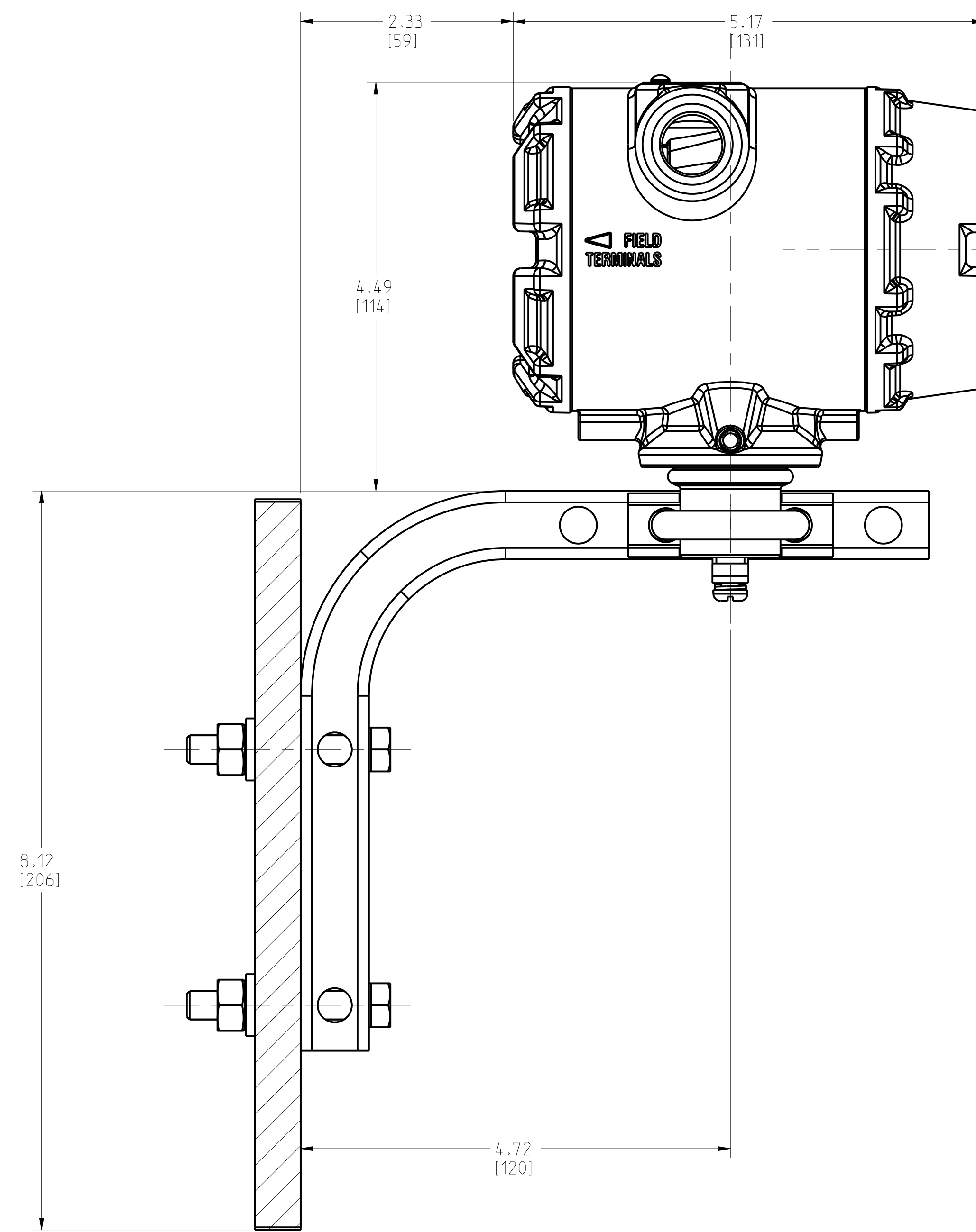
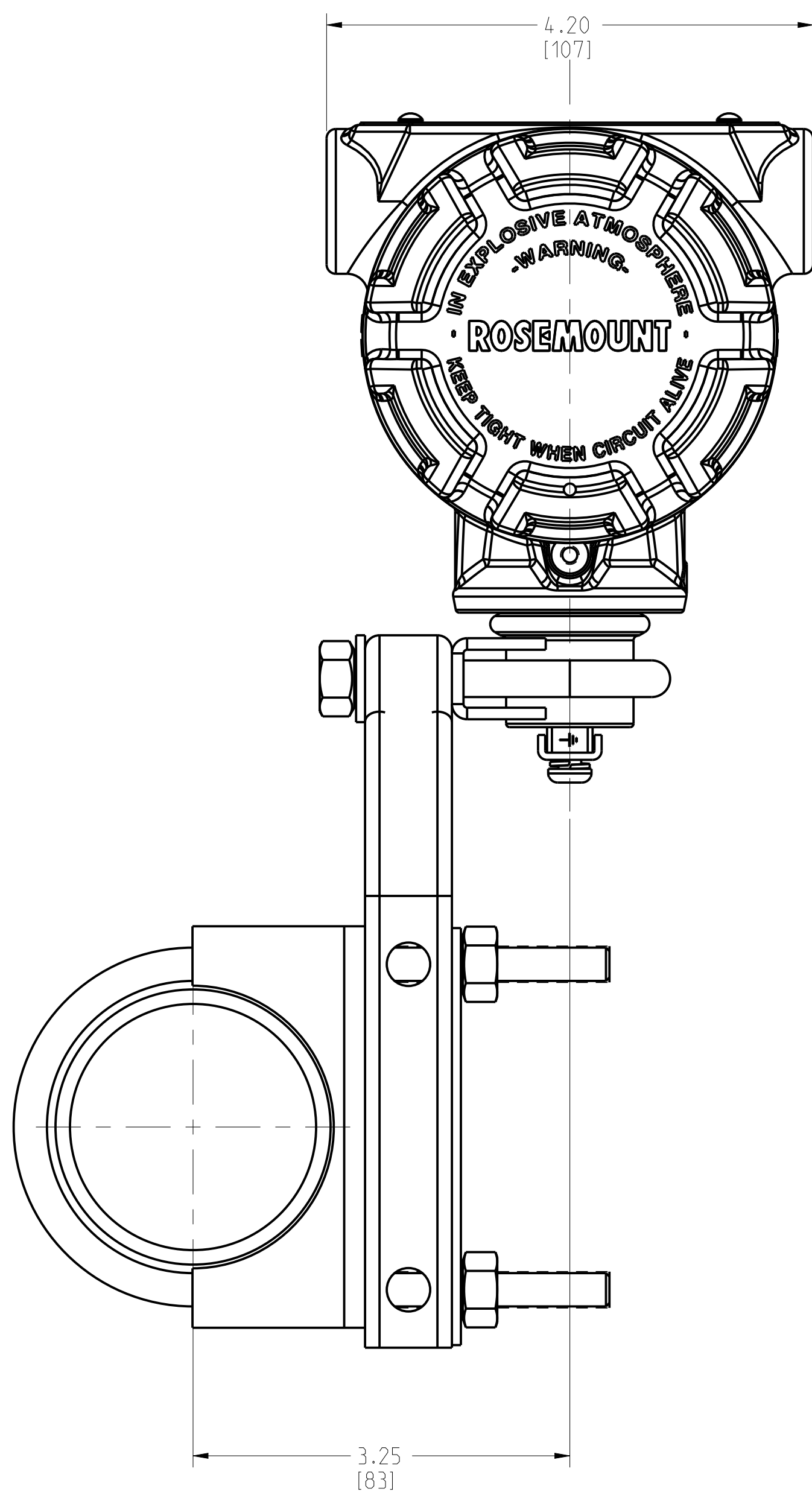
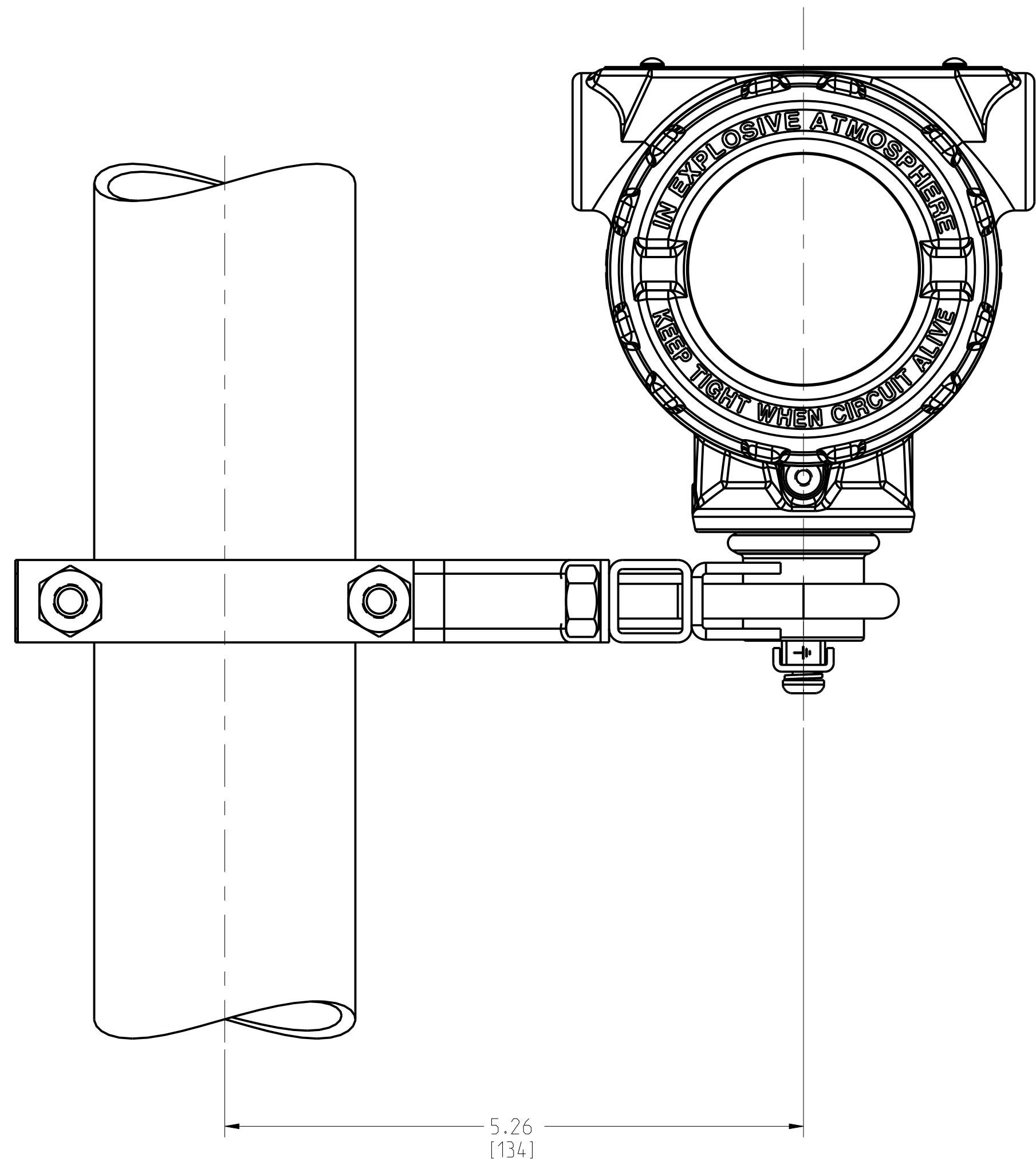
<small>UNLESS OTHERWISE SPECIFIED CONNECTIONS AND DIMENSIONS ARE IN INCHES. INFORMATION IS CONTAINED HEREIN AND MUST BE HANDLED ACCORDING TO EMERSON INFORMATION WITHIN THIS DOCUMENT IS UNCLASSIFIED UNLESS INDICATED OTHERWISE. FOR ENGINEERING USE, REFERENCE ROSEMOUNT ENGINEERING INFORMATION'S FOR ENGINEERING INFORMATION'S</small>	CUSTOMER	...	3RD ANGLE		SIZE	SCALE	REV
	CUSTOMER DWG NO.	...			D	3/2	AB
	P.O. No.	...					
	S.O. No.	...	TITLE 752 FOUNDATION FIELDBUS SIGNAL INDICATOR				
PROJECT NAME	DR. JLA 6/24/13	DRAWING NO.	00752-1004				
	APP'D JR 6/24/13						
DO NOT SCALE PRINT CAD MAINTAINED. (PRO/E) PRODUCT CODE - DOC TYPE - SHEET 1 OF 2							

DRAWING NO. 00752-1004 TAG NO. CAL.

ROSEMOUNT 752 FIELDBUS REMOTE INDICATOR MOUNTING CONFIGURATIONS

PIPE MOUNTING

PANEL MOUNTING



2 INCH U-BOLT
FOR PIPE MOUNTING
(CLAMP SHOWN)

5/16-18 X 2 BOLTS
FOR PANEL MOUNTING
(NOT SUPPLIED)

1 INCH U-BOLT
FOR TRANSMITTER MOUNTING

1 INCH U-BOLT
FOR TRANSMITTER MOUNTING

<small>UNLESS OTHERWISE SPECIFIED CONNECTIONS AND DIMENSIONS INFORMATION IS CONTAINED HEREIN AND MUST BE HANDLED ACCORDINGLY. EMERSON</small>	CUSTOMER	...	3RD ANGLE	SIZE	SCALE	REV
	CUSTOMER DWG NO.	...		D	1/1	AB
	P.O. No.	...	EMERSON Process Management			
	S.O. No.	...	ROSEMOUNT® TITLE 752 FOUNDATION FIELDBUS SIGNAL INDICATOR			
PROJECT NAME	DR. JLA 6/24/13	DRAWING NO.				
APP'D JR 6/24/13	...	00752-1004				
DO NOT SCALE PRINT CAD MAINTAINED. (PRO/E) PRODUCT CODE			- DOC TYPE - SHEET 2 OF 2			

TAG NO. 00752-1004
 DRAWING NO.