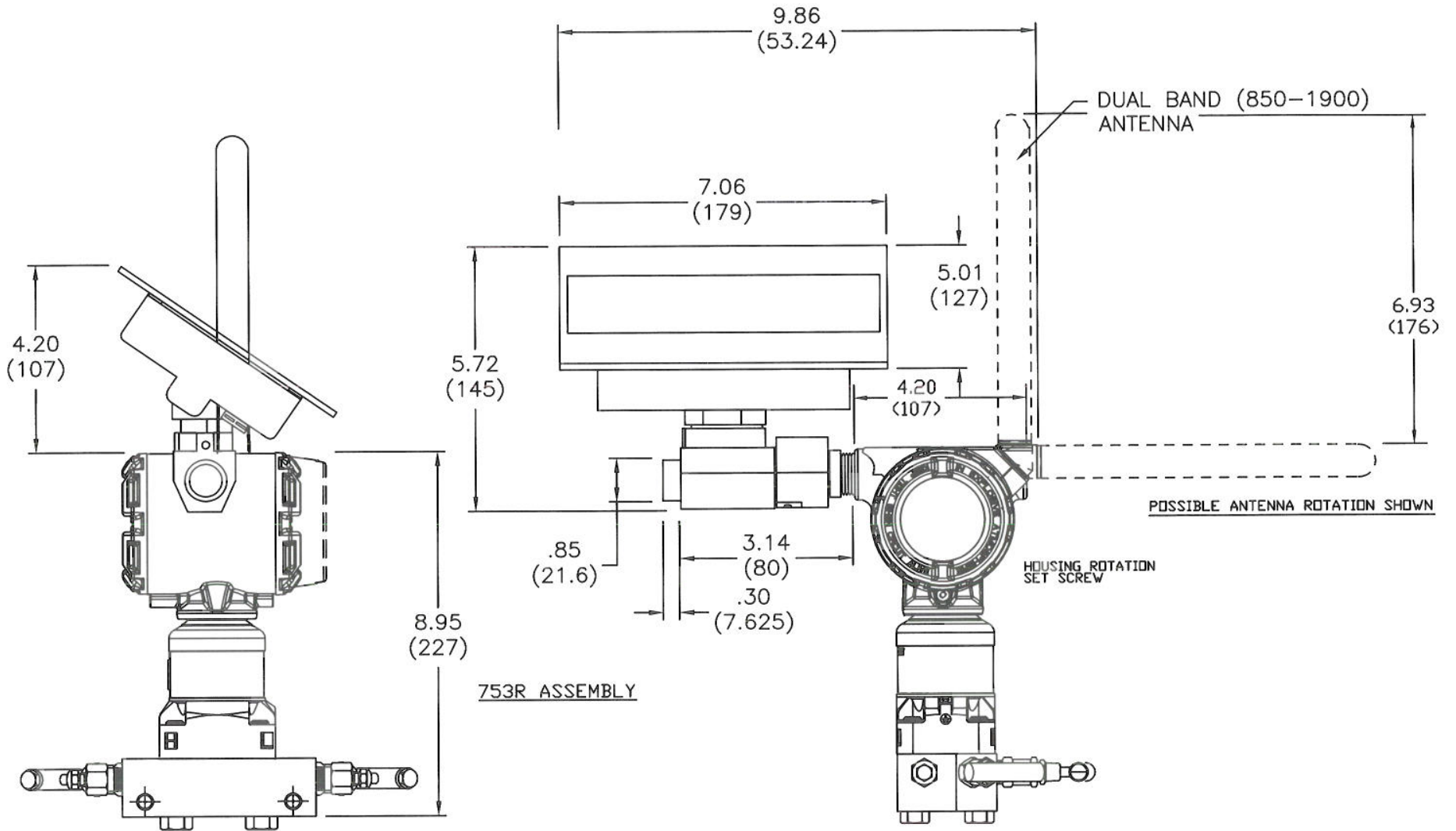


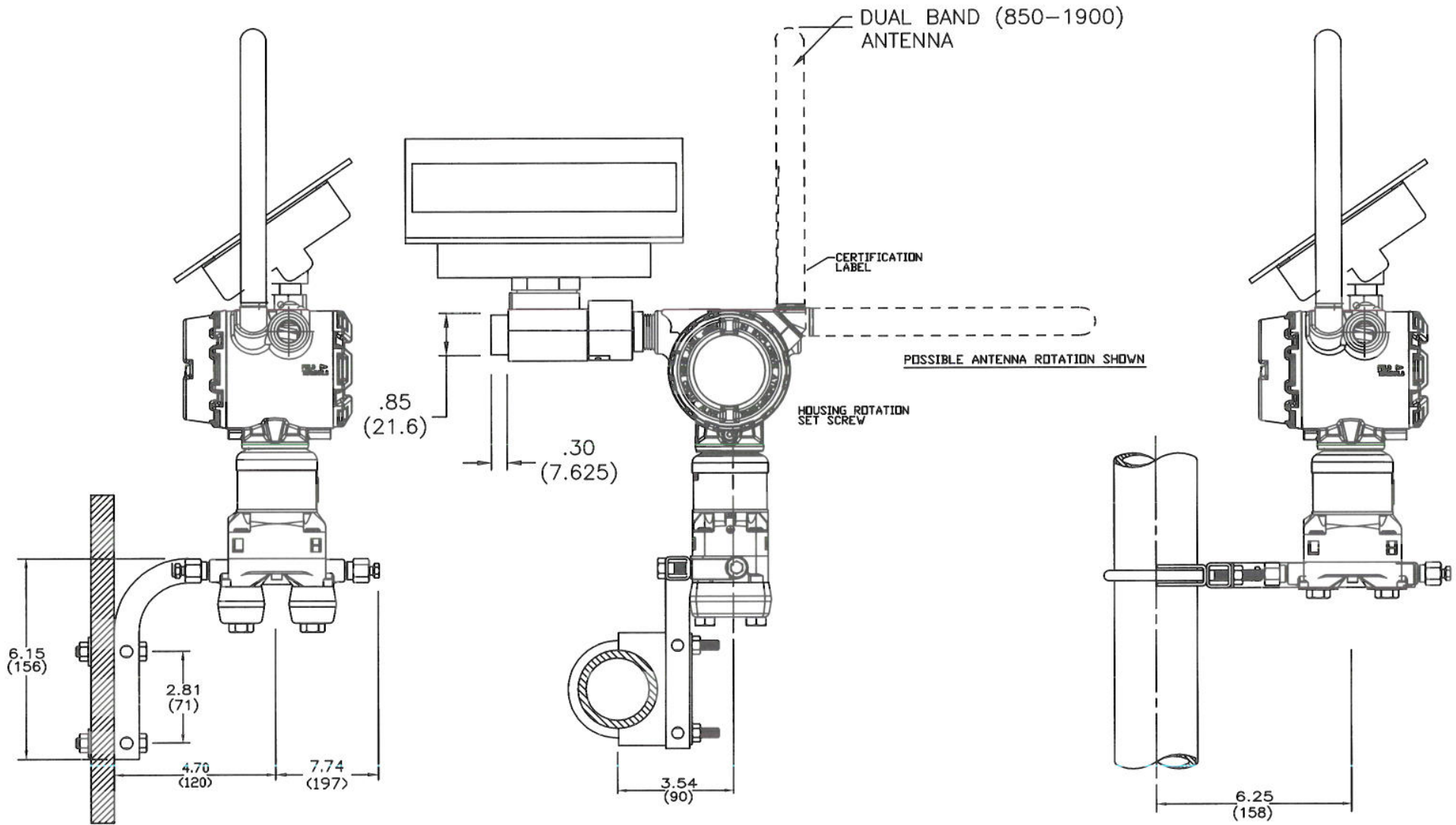
REVISIONS				
REV	DESCRIPTION	CHG.NO.	APP'D	DATE
AA	NEW RELEASE	RTC1019628	CM	5/9/05
AB	NEW RELEASE	RTC1024633	CM	9/14/07

*UNLESS OTHERWISE SPECIFIED DIMENSIONS IN INCHES (MM) *ALL DIMENSIONS ARE NOMINAL AND ARE FOR REFERENCE ONLY		TYPE I		ROSEMOUNT CHANHASSEN, MINNESOTA	
DR. JOHN ARMSTRONG 4/20/05 APPROVAL APP. CHAD MCGUIRE 4/20/05		TITLE DIMENSIONAL DRAWING FOR MODEL 753R		DRAWING NO. 00753-7000	
TAGGING SPECIALS		SIZE A		SCALE: NONE	
				SHEET 1 OF 5	



ROSEMOUNT®
CHANHASSEN, MINNESOTA

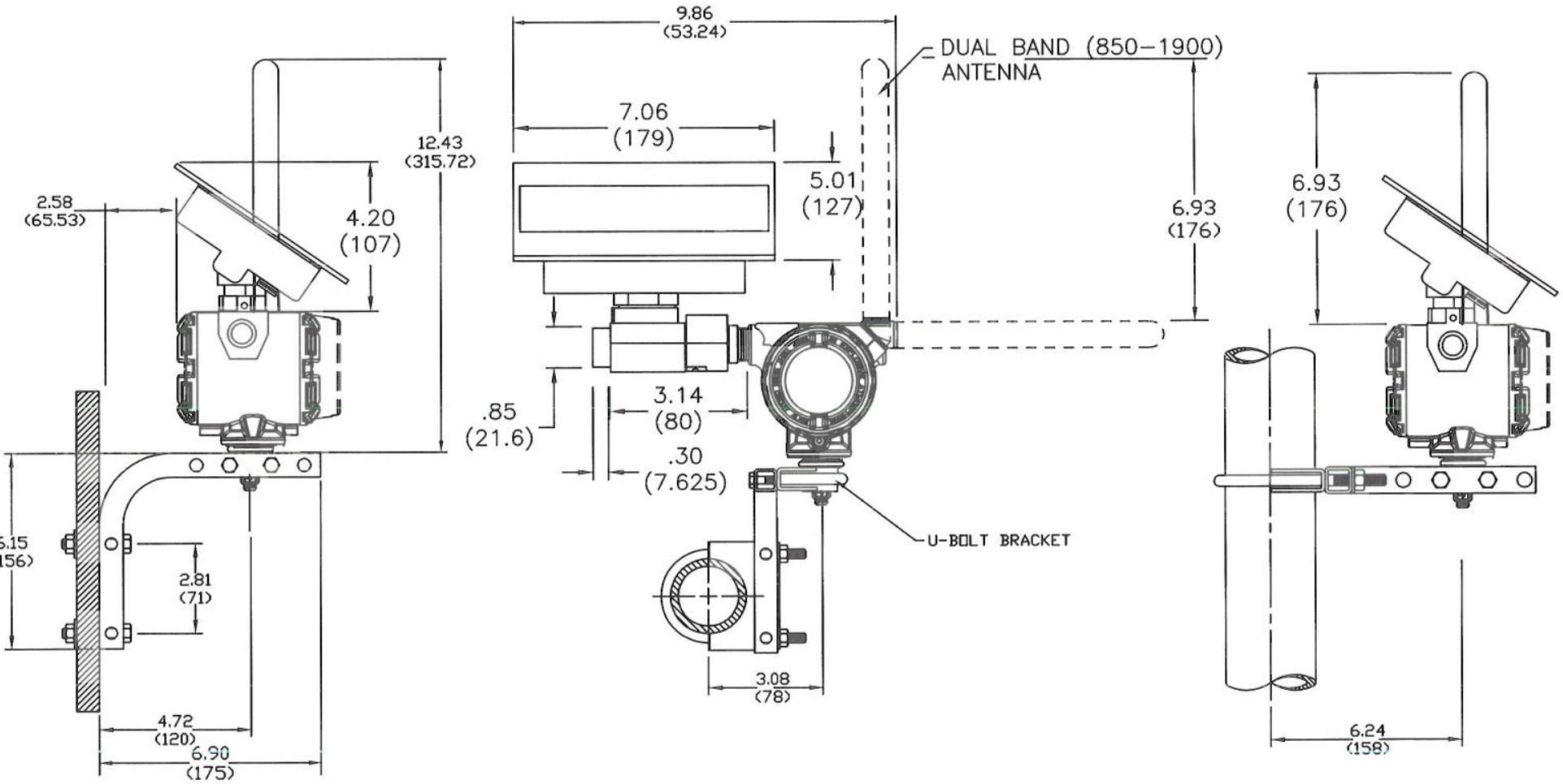
SIZE A	TYPE B	DRAWING NO. 00753-7000
SCALE:		SHEET 2 OF 5



B4 COPLANAR MOUNTING BRACKET

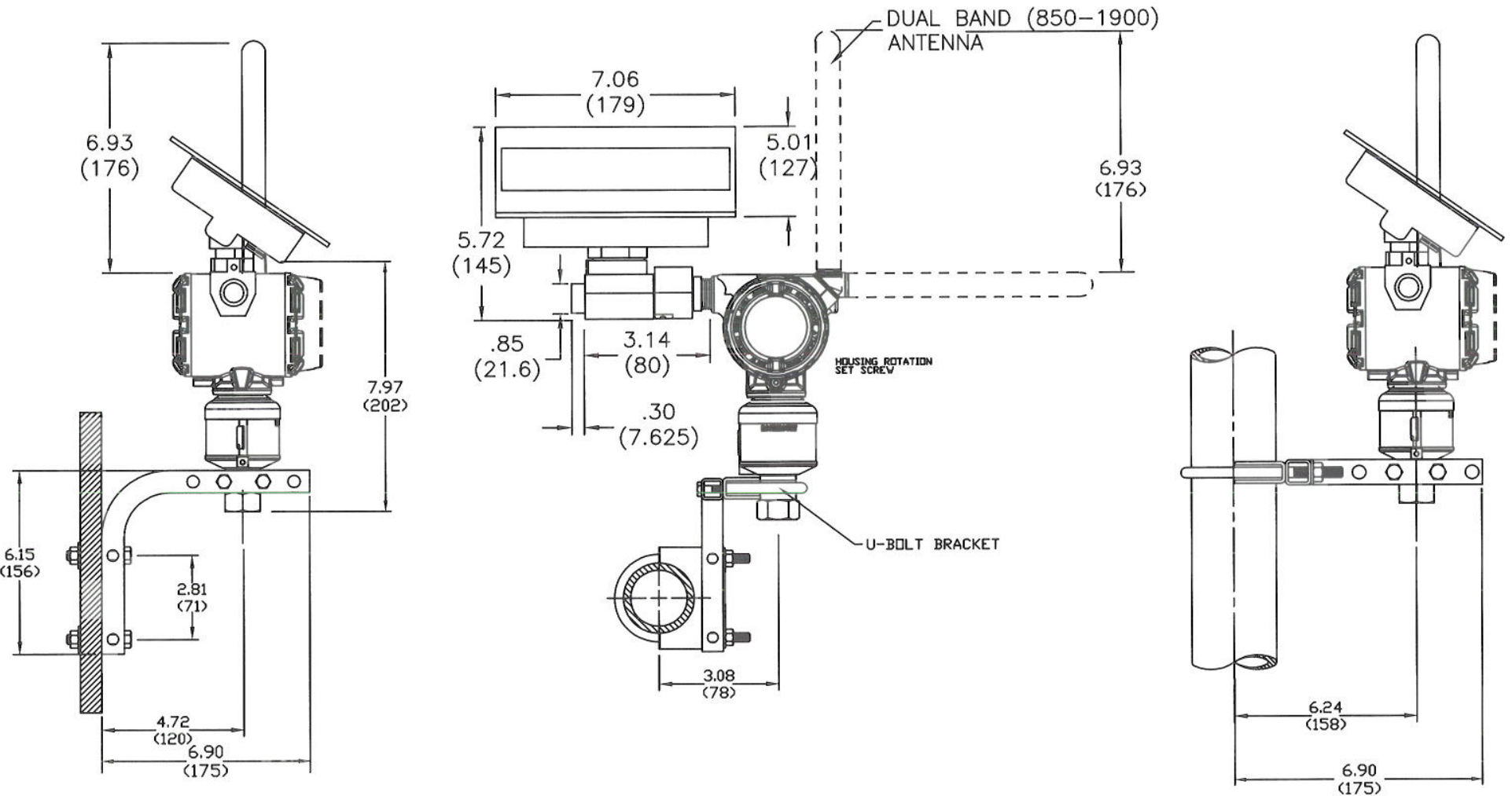
00 ROSEMOUNT CHANDLER, MINNESOTA	
SIZE A	DRAWING NO. 00753-7000
SCALE:	SHEET 3 OF 5

MOUNTING CONFIGURATION REMOTE (B4)



ROSEMOUNT®
CHANHASSEN, MINNESOTA

SIZE		DRAWING NO.	
A		00753-7000	
SCALE:		SHEET	4 OF 5



MOUNTING CONFIGURATION IN-LINE (B4)

ROSEMOUNT® CHANHASSEN, MINNESOTA	
SIZE A	DRAWING NO. 00753-7000
SCALE:	SHEET 5 OF 5