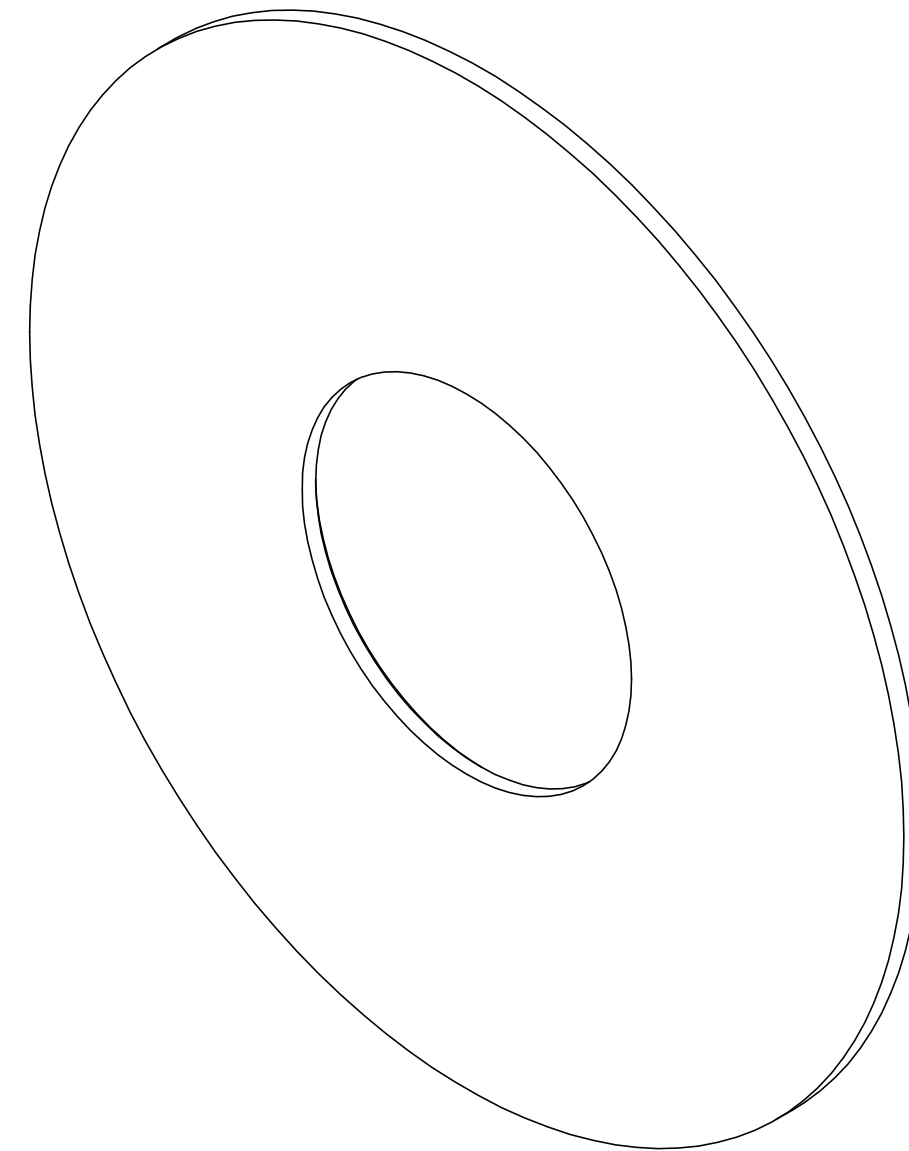



| REVISIONS | | | | |
|-----------|--------------------------|------------|-------|----------|
| REV | DESCRIPTION | CHG.NO. | APP'D | DATE |
| AB | REMOVED SNAP-RING HOLDER | DSI1002683 | MH | 06/24/09 |



NOTES:

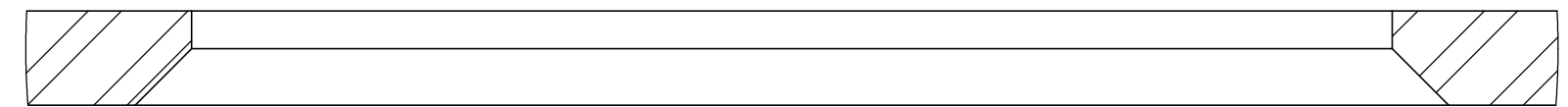
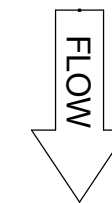
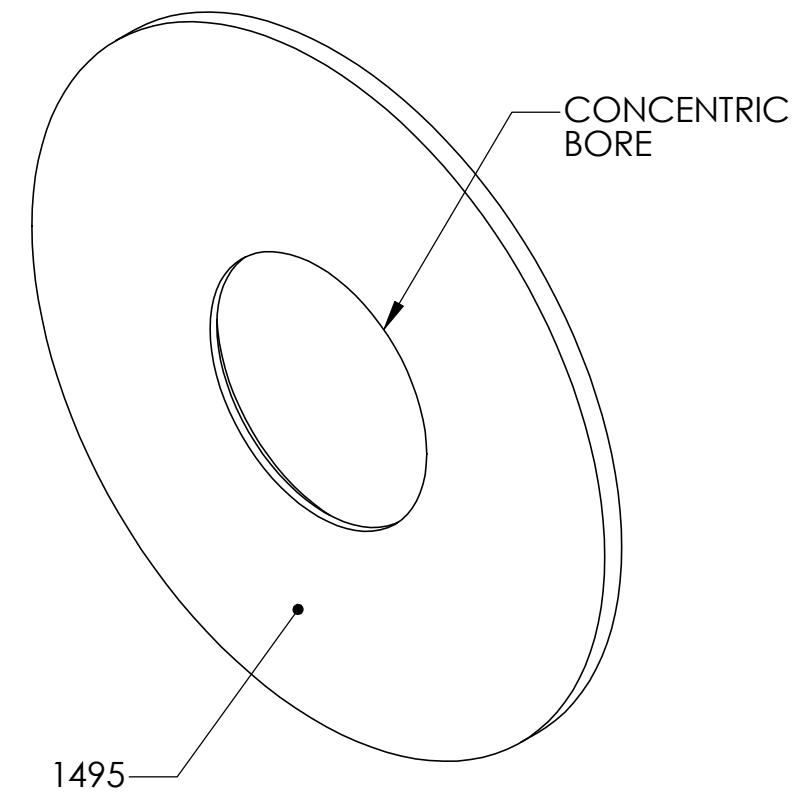
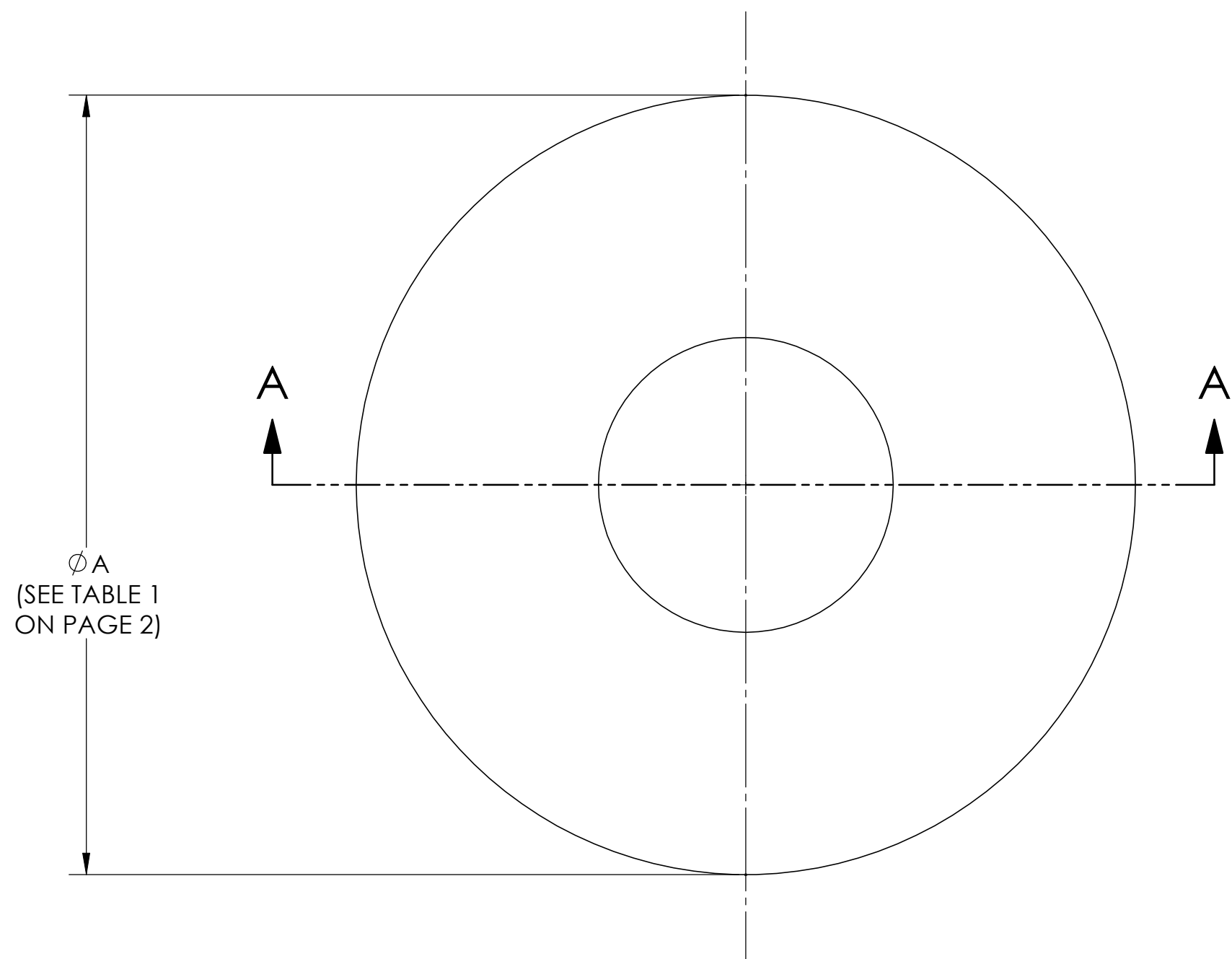
1. ROSEMOUNT INC. CERTIFIES THIS DRAWING IS IN ACCORDANCE WITH ROSEMOUNT ENGINEERING SPECIFICATIONS AND ACCURATELY REPRESENTS THE EQUIPMENT FURNISHED.
2. ORIFICE PLATE ORIENTATION SHOWN FOR DETAIL ONLY. FOR ACTUAL RECOMMENDED LOCATION AND ORIENTATION REFER TO INSTALLATION INSTRUCTION MANUAL 00809-0100-4792 AND PAGE 14 OF THIS DOCUMENT.
3. FOR MODEL SELECTIONS, MATERIALS, AND OPTIONS, REFER TO ROSEMOUNT PRODUCT DATA SHEET 00813-0100-4792.
4. MODEL 1495 MAXIMUM TEMPERATURE IS 850°F (OBSERVE GASKET MATERIAL TEMPERATURE LIMITATIONS).
5. ORIFICE FLANGES, STUDS, NUTS AND GASKETS ARE NOT INCLUDED WITH MODEL 1495.
6. PLATE HOLDERS MUST BE SPECIFIED BY ORDERING THE PLATE HOLDER OPTION

| | | | | | | |
|---|--|------------------|----------|--|-------------|---------------|
| *UNLESS OTHERWISE SPECIFIED DIMENSIONS IN INCHES (MM) | | TYPE I | | ROSEMOUNT® BOULDER, COLORADO | | |
| *ALL DIMENSIONS ARE NOMINAL AND ARE FOR REFERENCE ONLY | | DR. DMK | 11/13/03 | TITLE DIMENSIONAL DRAWING FOR MODEL 1495 UNIVERSAL ORIFICE PLATE | | |
|  | | APPROVAL | | SIZE | DRAWING NO. | |
| | | DRAWING K. GREEN | 12/20/03 | C | 01495-1003 | |
| | | TAGGING | | SCALE: NONE | | SHEET 1 OF 14 |
| | | SPECIALS | | | | |

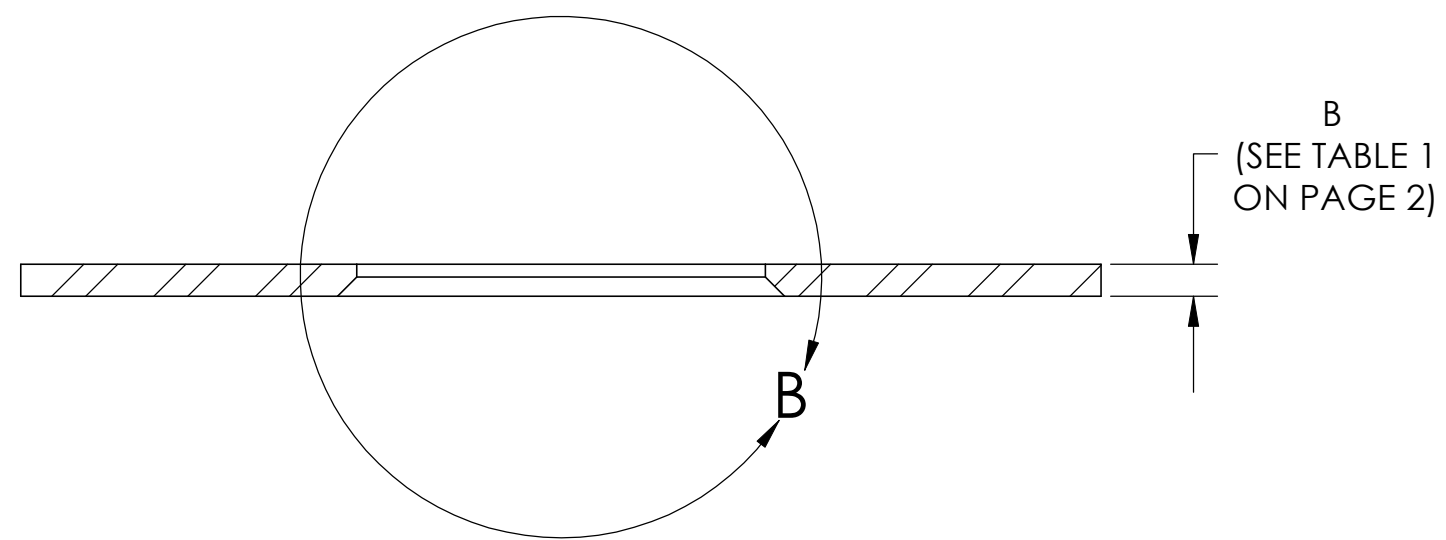
| TABLE 1 UNIVERSAL PLATE DIMENSIONS | | |
|---------------------------------------|--------------|----------------------------|
| LINE SIZE | 'ØA' (OD) | 'B' (DEFAULT THICKNESS) |
| 2" | 2.44 | 0.13 |
| 2-1/2" | 2.81 | 0.13 |
| 3" | 3.44 | 0.13 |
| 4" | 4.41 | 0.13 |
| 6" | 6.44 | 0.13 |
| 8" | 8.44 | 0.25 |
| 10" | 10.69 | 0.25 |
| 12" | 12.59 | 0.38 |
| 14" | 14.00 | 0.38 |
| 16" | 16.00 | 0.38 |
| 18" | 18.00 | 0.38 |
| 20" | 20.00 | 0.38 |
| 24" | 24.00 | 0.38 |

| TABLE 2 | | | | | | | | | | | | |
|----------------|---------------|-------|-------|------|----------|-------|-------|------|----------|-------|-------|------|
| LINE SIZE | FLANGE RATING | | | | | | | | | | | |
| | 150# | | | | 300# | | | | 600# | | | |
| | Ring No. | C | D | E | Ring No. | C | D | E | Ring No. | C | D | E |
| 2" (DN 50) | R-22 | 3.56 | 5.50 | 1.06 | R-23 | 3.69 | 5.50 | 1.06 | R-23 | 3.69 | 5.50 | 1.06 |
| 2-1/2" (DN 65) | R-25 | 4.31 | 6.50 | 1.06 | R-26 | 4.44 | 6.50 | 1.06 | R-26 | 4.44 | 6.50 | 1.06 |
| 3" (DN 80) | R-29 | 4.81 | 6.50 | 1.06 | R-31 | 5.31 | 6.50 | 1.06 | R-31 | 5.31 | 6.50 | 1.06 |
| 4" (DN 100) | R-36 | 6.19 | 6.50 | 1.06 | R-37 | 6.31 | 6.50 | 1.06 | R-37 | 6.31 | 6.50 | 1.06 |
| 6" (DN 150) | R-43 | 7.94 | 7.50 | 1.06 | R-45 | 8.75 | 7.50 | 1.06 | R-45 | 8.75 | 7.50 | 1.06 |
| 8" (DN 200) | R-48 | 10.06 | 7.50 | 1.06 | R-49 | 11.06 | 7.50 | 1.06 | R-49 | 11.06 | 7.50 | 1.06 |
| 10" (DN 250) | R-52 | 12.31 | 8.50 | 1.06 | R-53 | 13.19 | 8.50 | 1.06 | R-53 | 13.19 | 8.50 | 1.06 |
| 12" (DN 300) | R-56 | 15.31 | 8.50 | 1.06 | R-57 | 15.44 | 8.50 | 1.06 | R-57 | 15.44 | 8.50 | 1.06 |
| 14" (DN 350) | R-59 | 15.94 | 8.50 | 1.06 | R-61 | 16.94 | 8.50 | 1.06 | R-61 | 16.94 | 8.50 | 1.06 |
| 16" (DN 400) | R-64 | 18.06 | 8.50 | 1.19 | R-65 | 18.94 | 8.50 | 1.19 | R-65 | 18.94 | 8.50 | 1.19 |
| 18" (DN 450) | R-68 | 20.69 | 8.50 | 1.19 | R-69 | 21.44 | 8.50 | 1.19 | R-69 | 21.44 | 8.50 | 1.19 |
| 20" (DN 500) | R-72 | 22.31 | 8.50 | 1.25 | R-73 | 23.50 | 8.50 | 1.25 | R-73 | 23.50 | 8.50 | 1.25 |
| 24" (DN 600) | R-76 | 26.81 | 8.50 | 1.44 | R-77 | 27.88 | 8.50 | 1.44 | R-77 | 27.88 | 8.50 | 1.44 |
| | | | | | | | | | | | | |
| | | | | | | | | | | | | |
| LINE SIZE | FLANGE RATING | | | | | | | | | | | |
| | 900# | | | | 1500# | | | | 2500# | | | |
| | Ring No. | C | D | E | Ring No. | C | D | E | Ring No. | C | D | E |
| 2" (DN 50) | R-24 | 4.19 | 6.50 | 1.06 | R-24 | 4.19 | 6.50 | 1.06 | R-26 | 4.44 | 6.50 | 1.06 |
| 2-1/2" (DN 65) | R-27 | 4.69 | 6.50 | 1.06 | R-27 | 4.69 | 6.50 | 1.06 | R-28 | 4.83 | 6.50 | 1.19 |
| 3" (DN 80) | R-31 | 5.31 | 6.50 | 1.06 | R-35 | 5.81 | 6.50 | 1.06 | R-32 | 5.50 | 7.50 | 1.19 |
| 4" (DN 100) | R-37 | 6.31 | 6.50 | 1.06 | R-39 | 6.81 | 6.50 | 1.06 | R-38 | 6.81 | 7.50 | 1.31 |
| 6" (DN 150) | R-45 | 8.75 | 7.50 | 1.06 | R-46 | 8.81 | 7.50 | 1.19 | R-47 | 9.75 | 8.50 | 1.44 |
| 8" (DN 200) | R-49 | 11.06 | 7.50 | 1.06 | R-50 | 11.25 | 7.50 | 1.44 | R-51 | 11.88 | 9.50 | 1.69 |
| 10" (DN 250) | R-53 | 13.19 | 8.50 | 1.06 | R-54 | 13.38 | 8.50 | 1.44 | R-55 | 14.63 | 9.50 | 2.00 |
| 12" (DN 300) | R-57 | 15.44 | 8.50 | 1.06 | R-58 | 15.88 | 9.50 | 1.69 | R-60 | 17.25 | 10.50 | 2.13 |
| 14" (DN 350) | R-62 | 17.13 | 8.50 | 1.31 | R-63 | 17.50 | 9.50 | 1.88 | | | | |
| 16" (DN 400) | R-66 | 19.13 | 8.50 | 1.44 | R-67 | 19.63 | 10.50 | 2.13 | | | | |
| 18" (DN 450) | R-70 | 21.75 | 8.50 | 1.56 | R-71 | 22.13 | 10.50 | 2.13 | | | | |
| 20" (DN 500) | R-74 | 23.75 | 8.50 | 1.56 | R-75 | 24.25 | 11.50 | 2.13 | | | | |
| 24" (DN 600) | R-78 | 28.25 | 10.50 | 1.88 | R-79 | 28.63 | 11.50 | 2.44 | | | | |

| | | |
|-------------------|----------|----------------------------------|
| ROSEMOUNT® | | |
| BOULDER, COLORADO | | |
| SIZE A | FSCM.NO. | DRAWING NO. 01495-1003 |
| SCALE: 1:2 | WT. | SHEET: 2 of 14 |



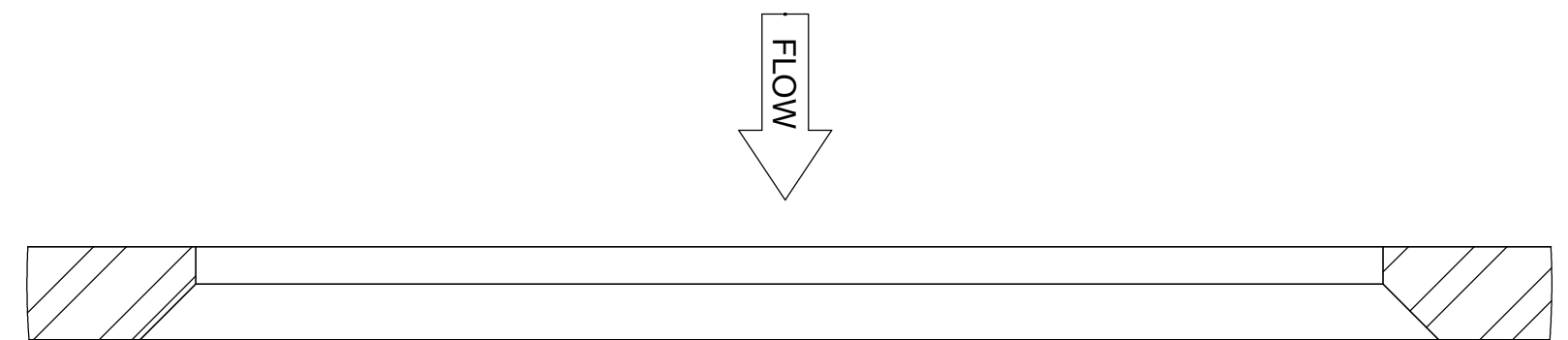
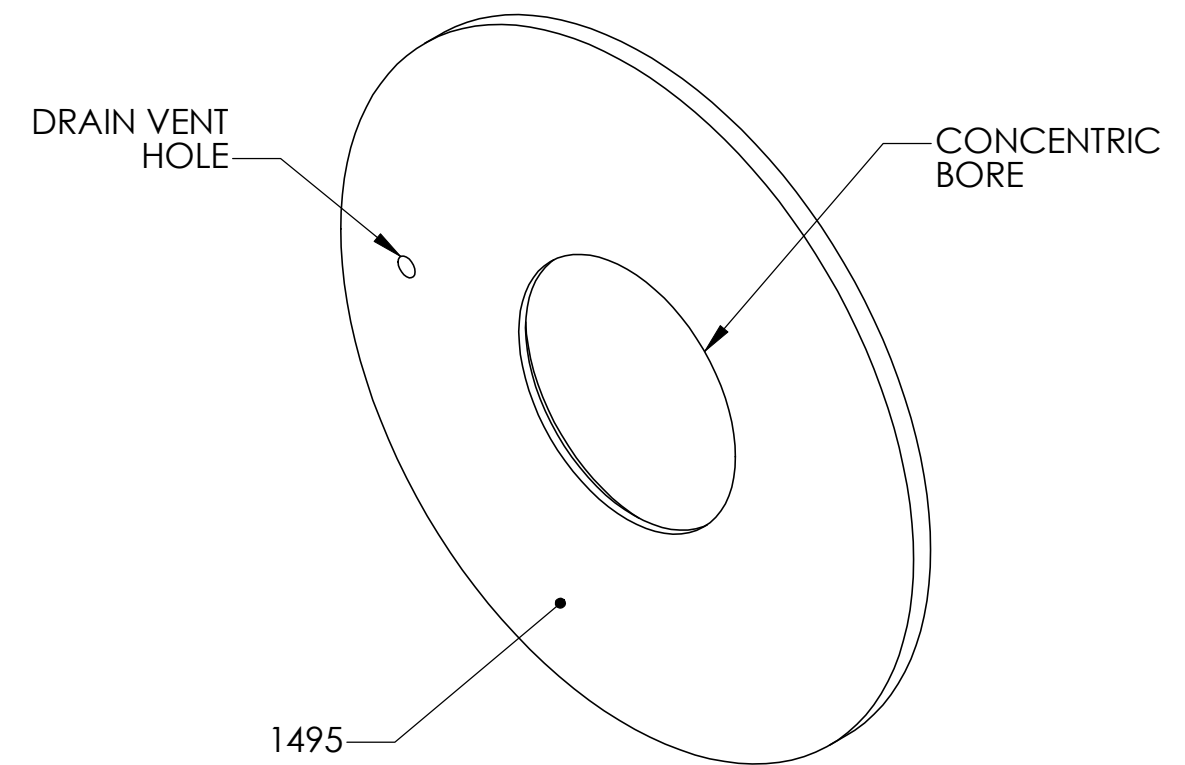
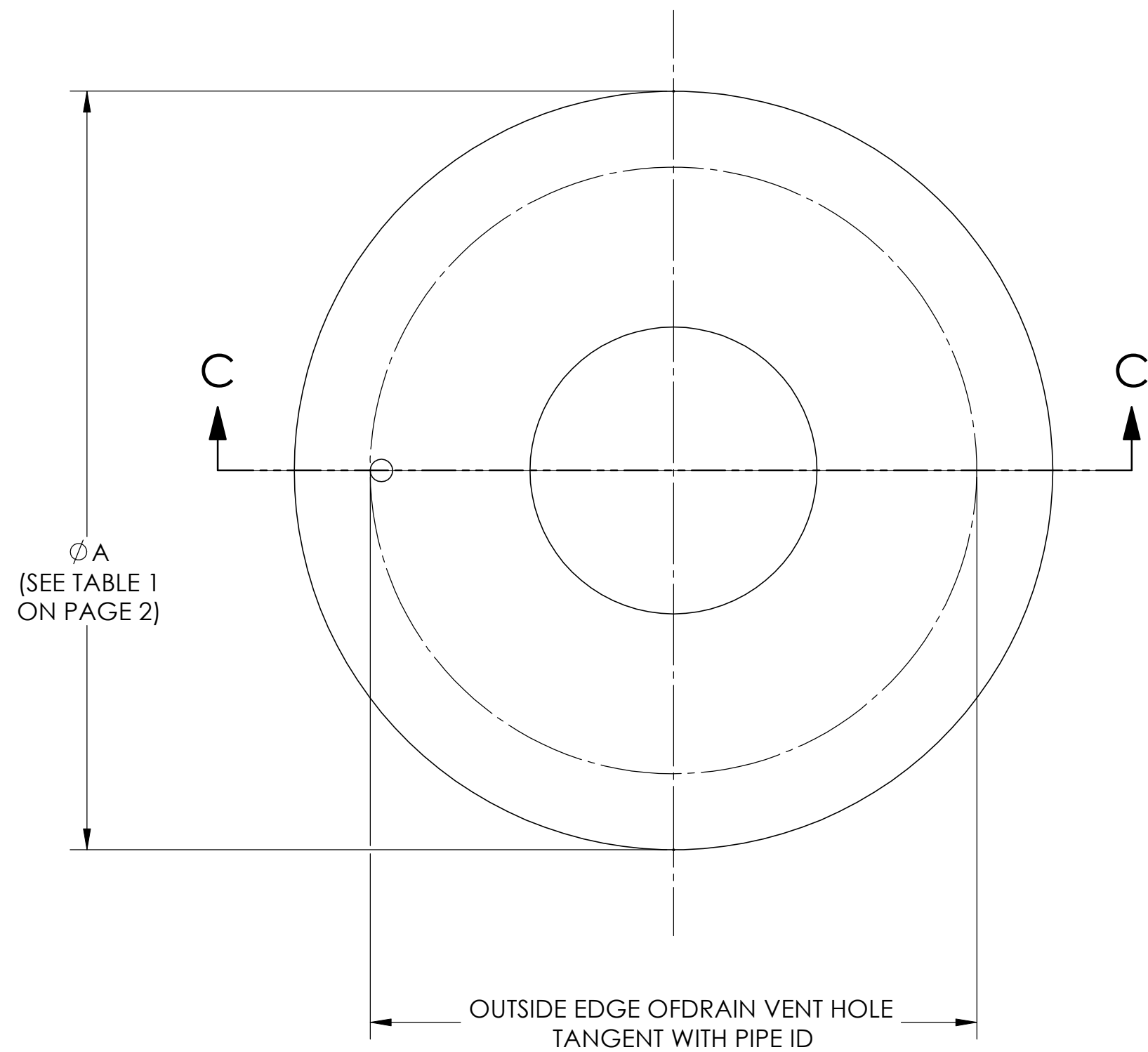
DETAIL B
SCALE 2 : 1



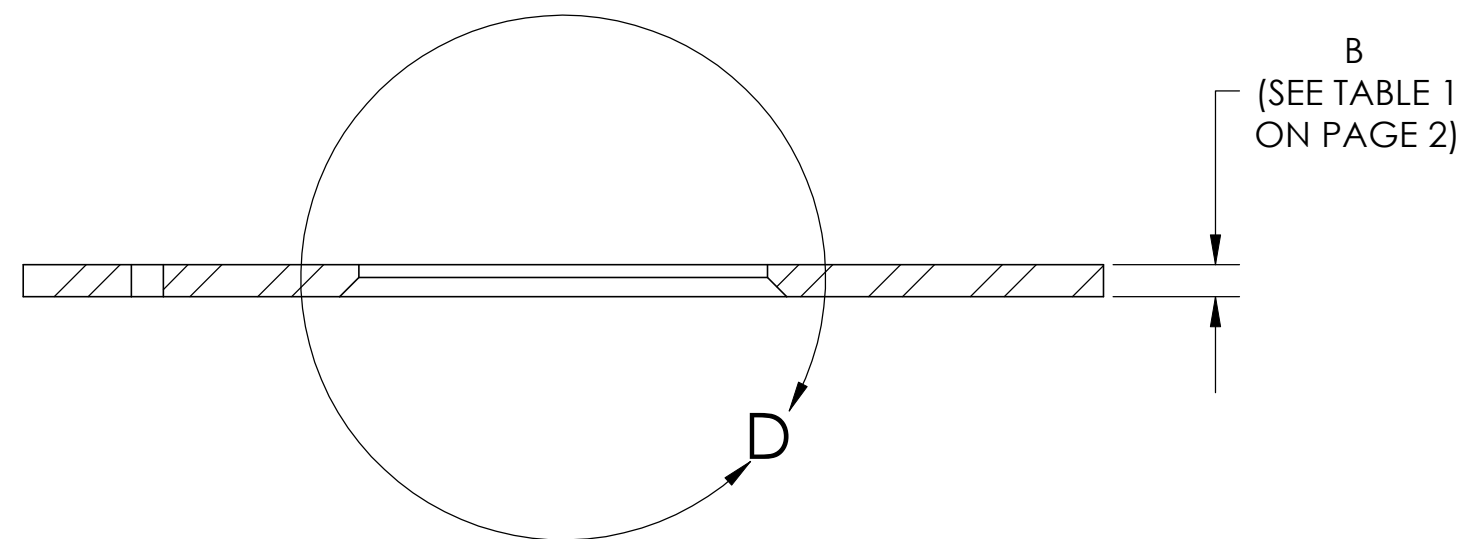
SECTION A-A

CONCENTRIC BORE

| | | | |
|-------------------------------|----------|------------------------|--|
| ROSEMOUNT [®] | | | |
| BOULDER, COLORADO | | | |
| SIZE A | FSCM.NO. | DRAWING NO. 01495-1003 | |
| SCALE: 1:1.5 | WT. | SHEET: 3 of 14 | |



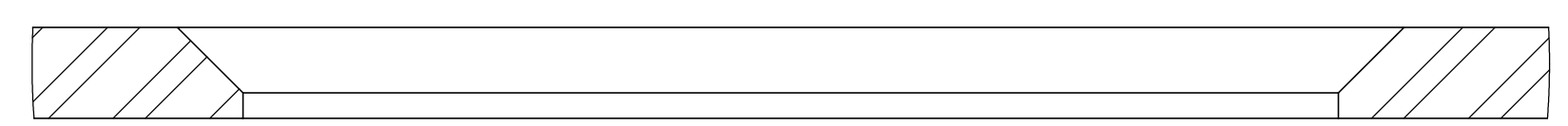
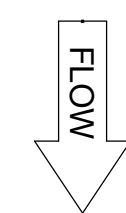
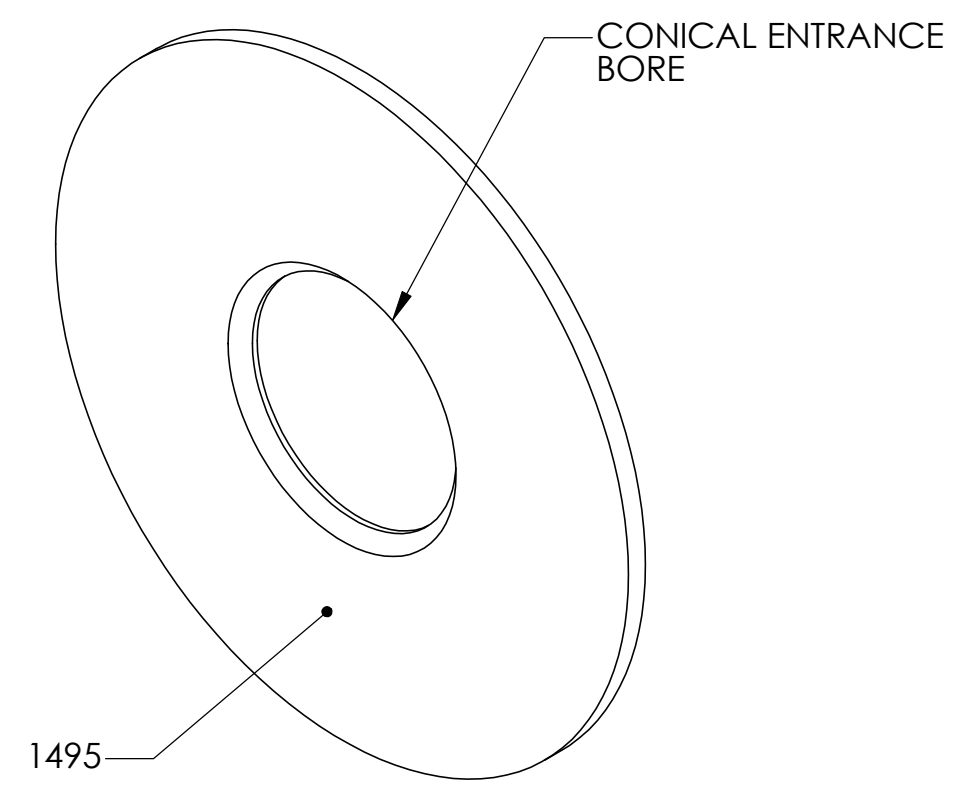
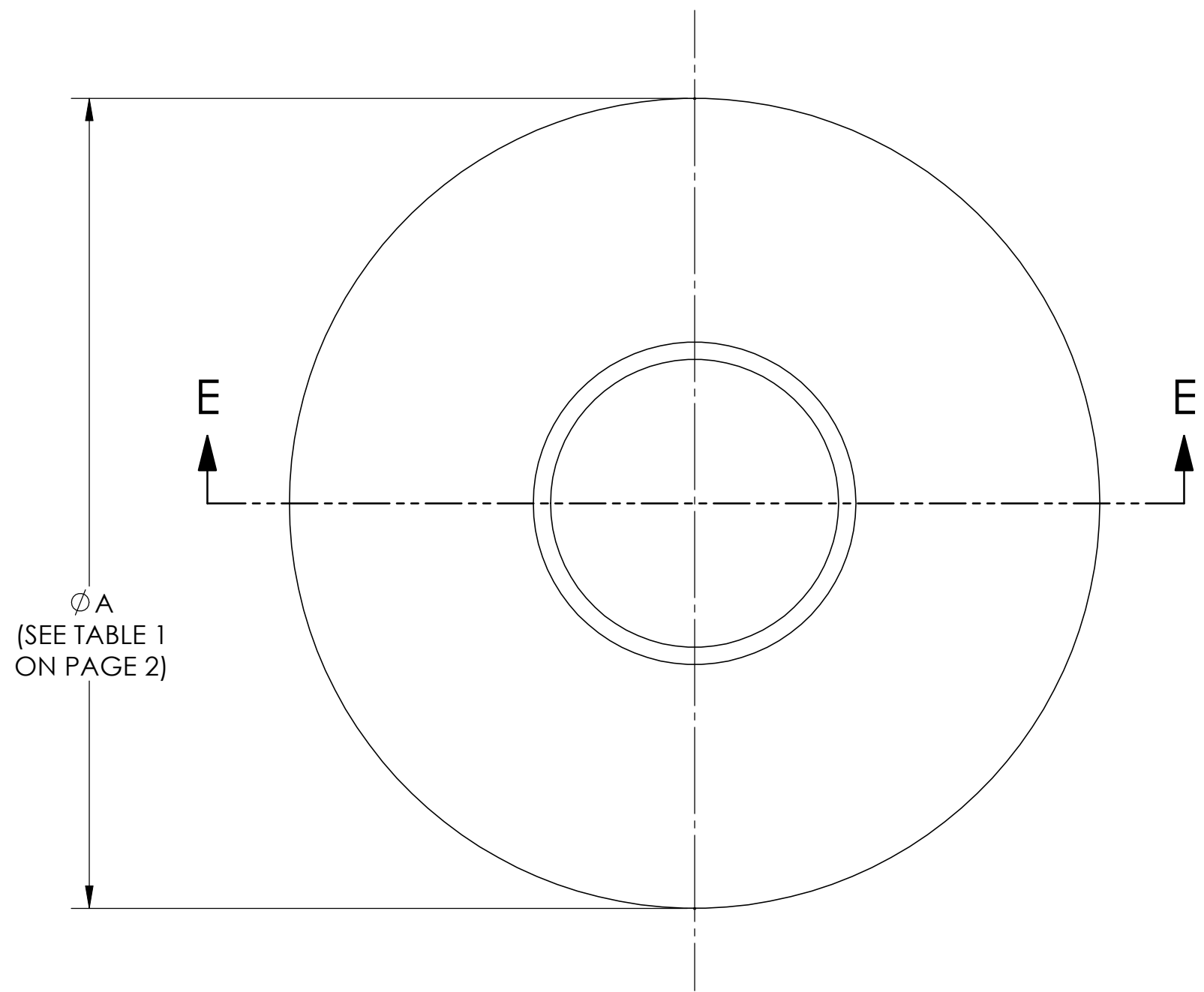
DETAIL D
SCALE 2 : 1



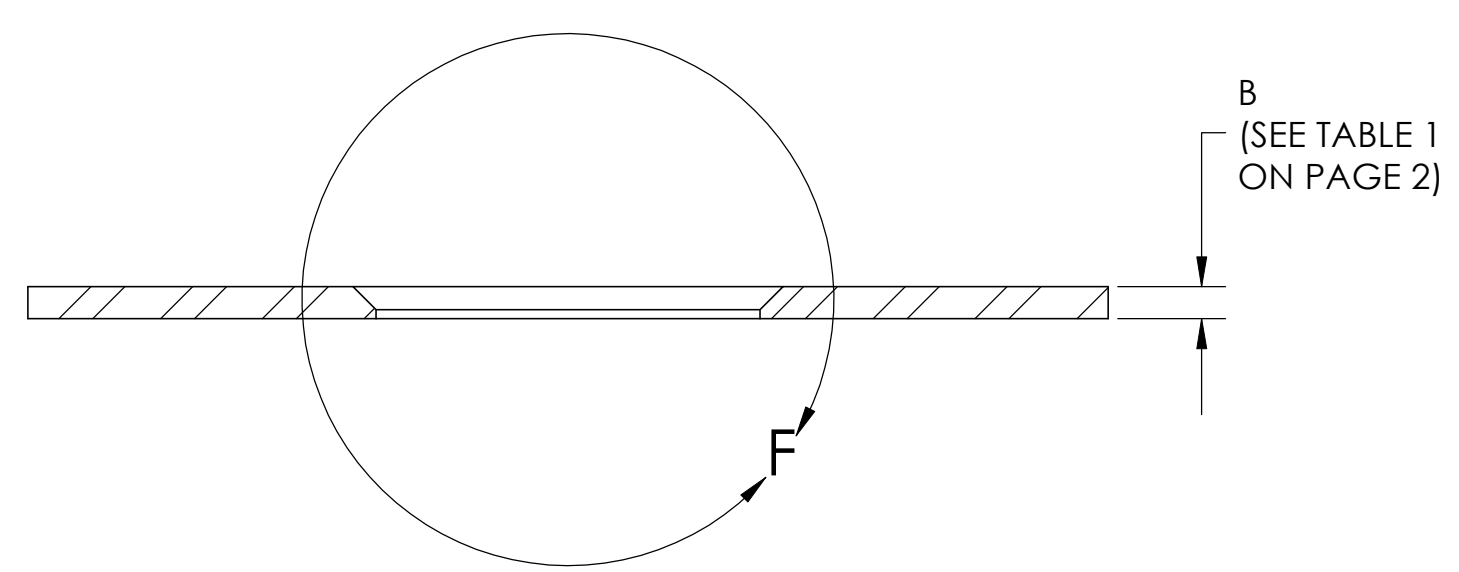
SECTION C-C

**CONCENTRIC BORE
WITH DRAIN/VENT HOLE**

| | | | |
|-------------------|----------|------------------------|--|
| ROSEMOUNT® | | | |
| BOULDER, COLORADO | | | |
| SIZE A | FSCM.NO. | DRAWING NO. 01495-1003 | |
| SCALE: 1:1.5 | WT. | SHEET: 4 of 14 | |



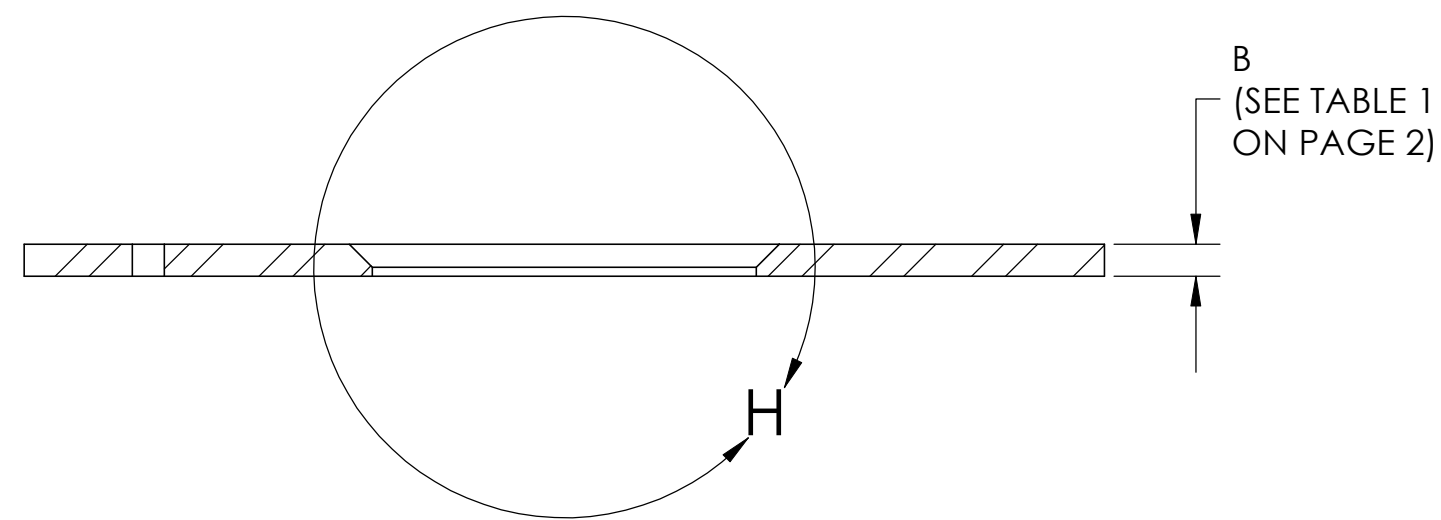
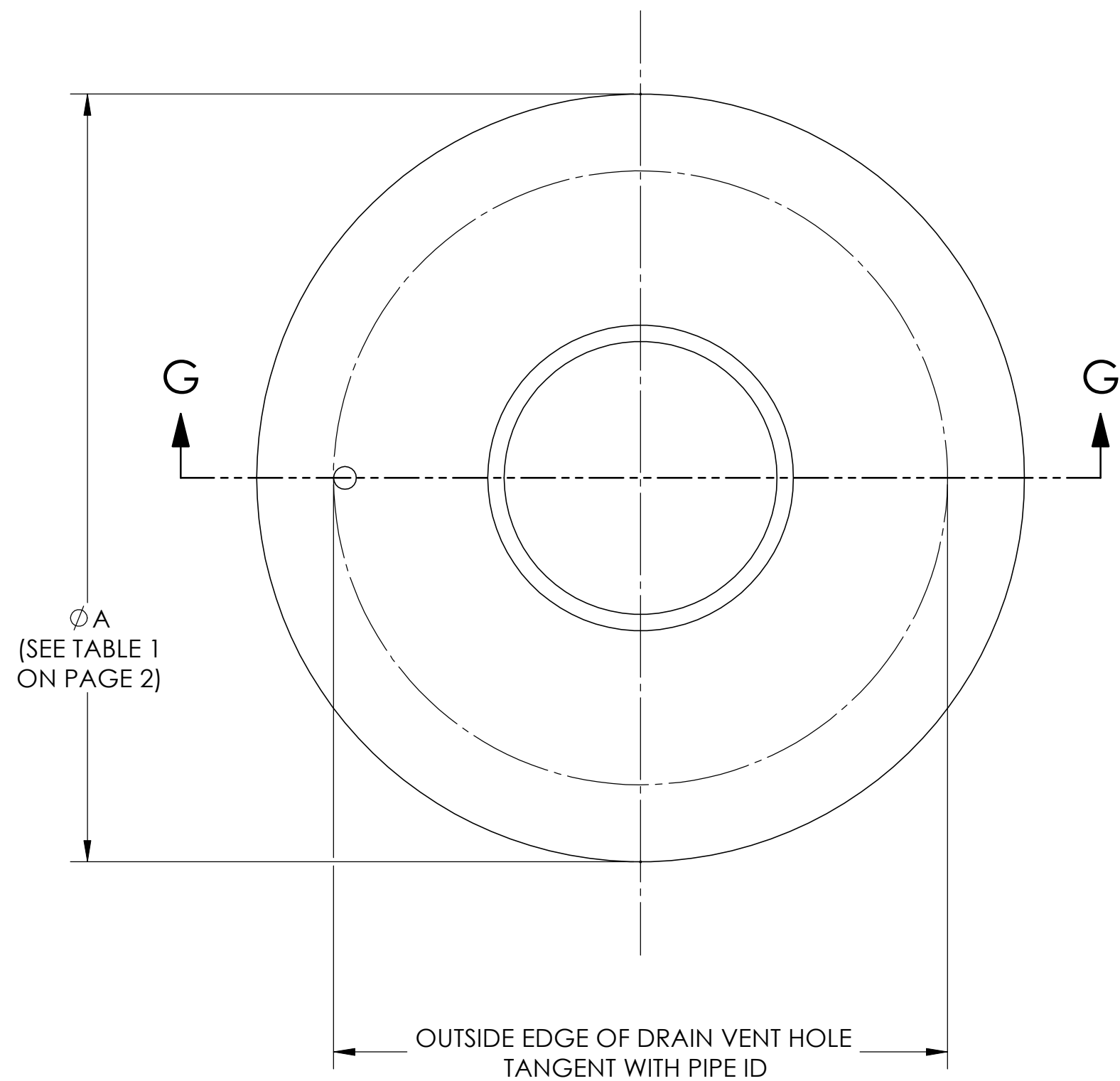
DETAIL F
SCALE 2 : 1



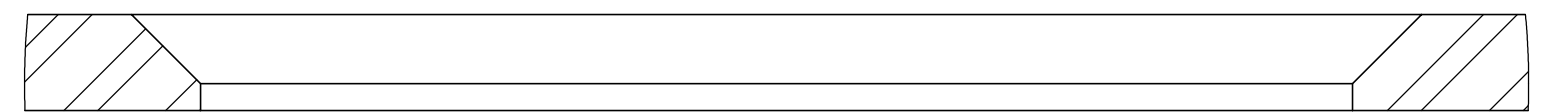
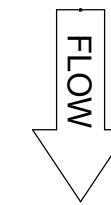
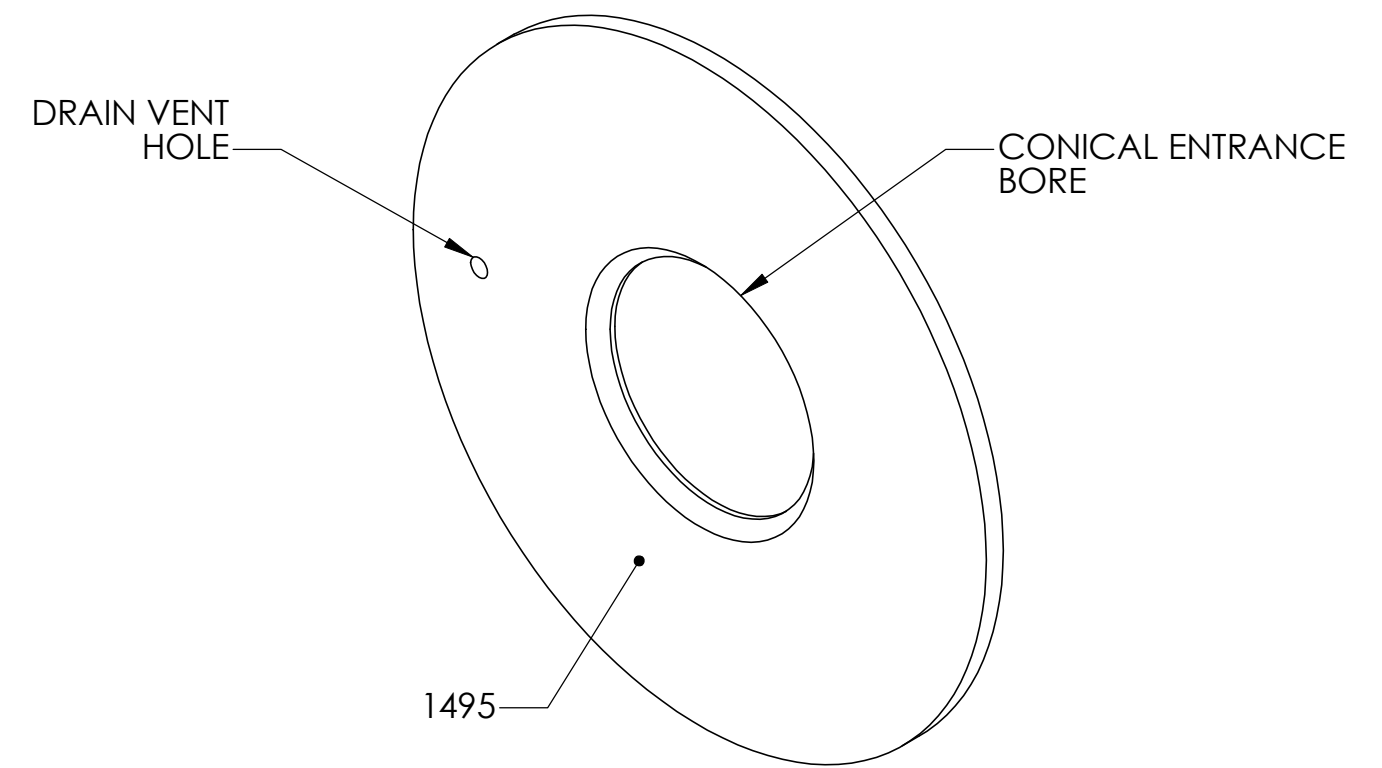
SECTION E-E

CONICAL ENTRANCE BORE

| | | | |
|-------------------|----------|------------------------|--|
| ROSEMOUNT® | | | |
| BOULDER, COLORADO | | | |
| SIZE A | FSCM.NO. | DRAWING NO. 01495-1003 | |
| SCALE: 1:1.5 | WT. | SHEET: 5 of 14 | |



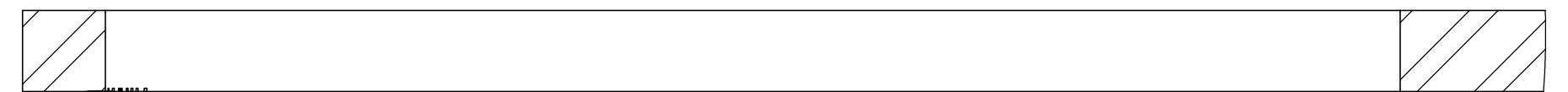
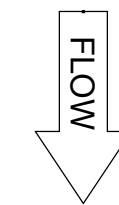
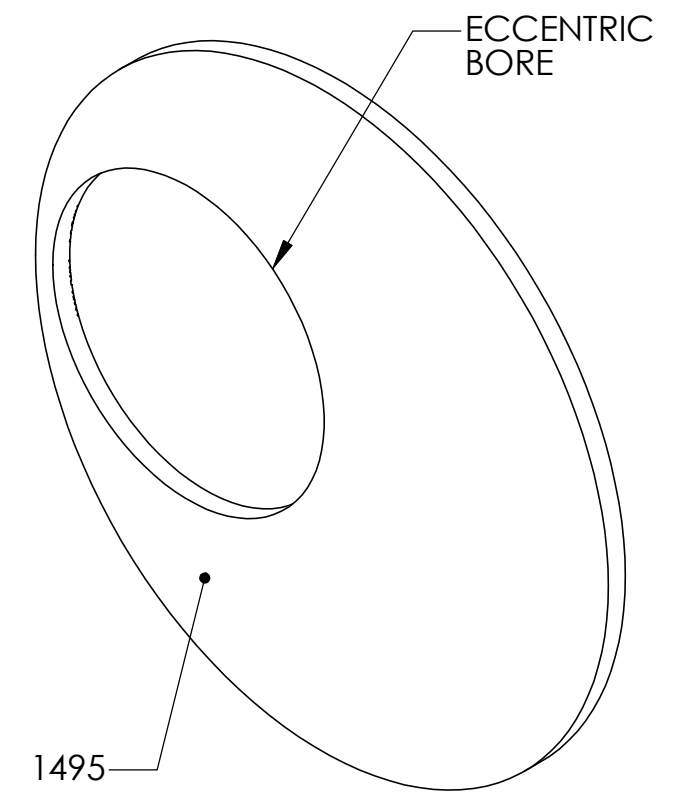
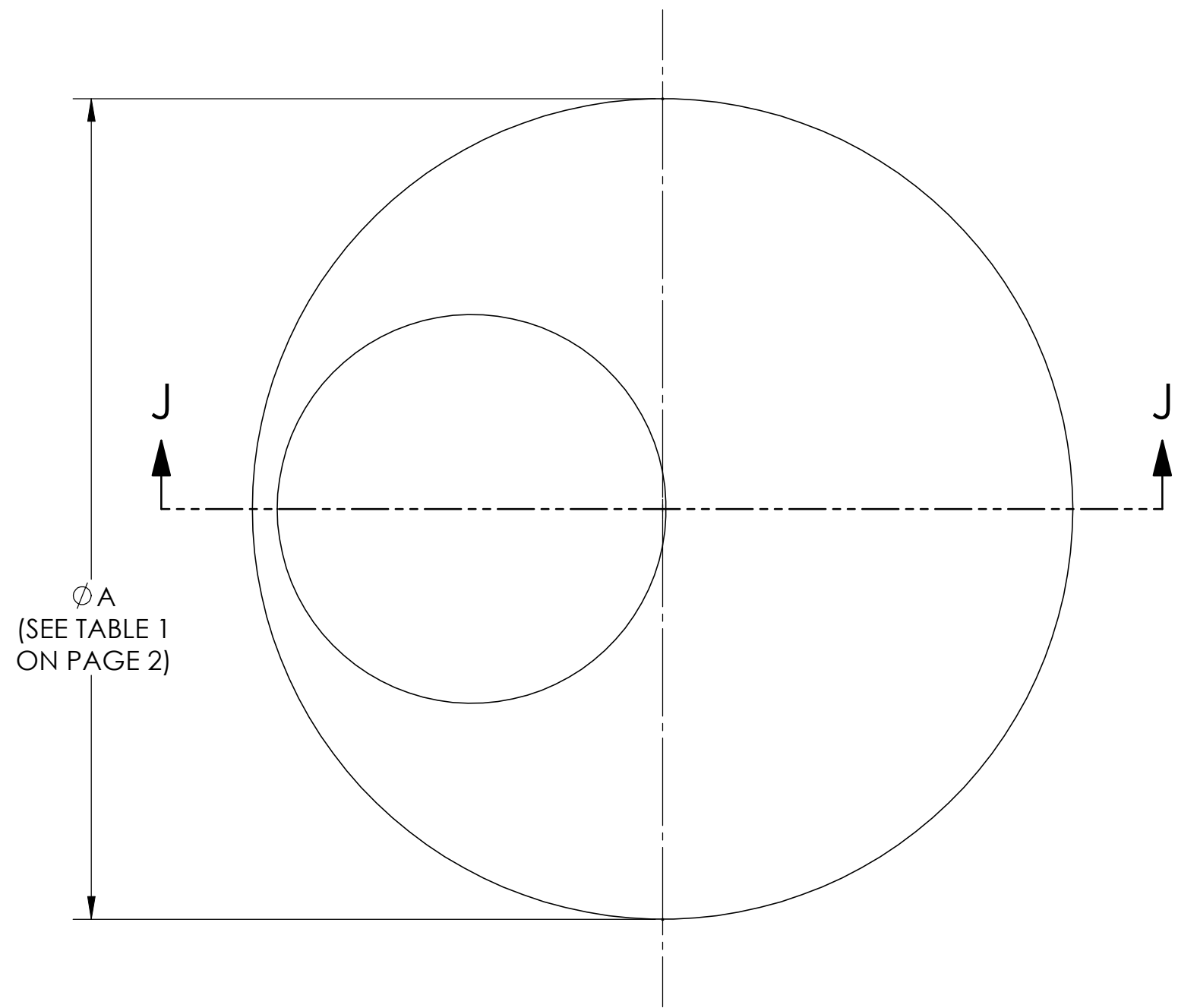
SECTION G-G



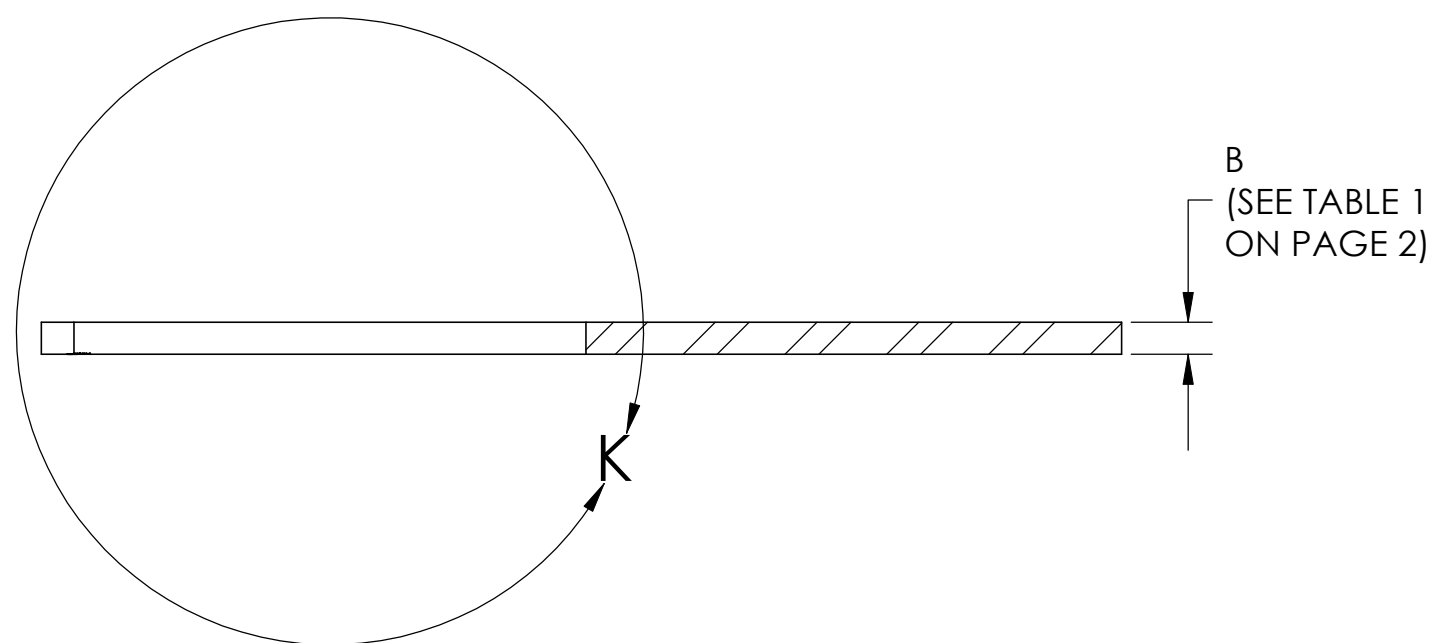
DETAIL H
SCALE 2 : 1

**CONICAL ENTRANCE BORE
WITH DRAIN/VENT HOLE**

| | | | |
|-------------------|----------|-------------------------------|--|
| ROSEMOUNT® | | | |
| BOULDER, COLORADO | | | |
| SIZE A | FSCM.NO. | DRAWING NO. 01495-1003 | |
| SCALE: 1:1.5 | WT. | SHEET: 6 of 14 | |



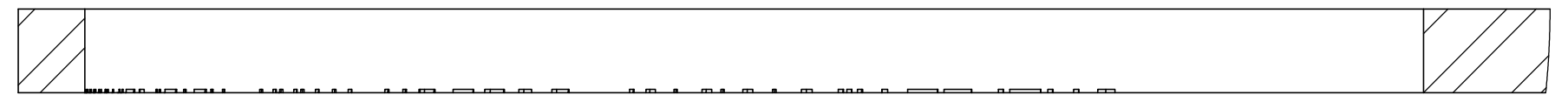
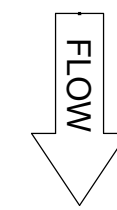
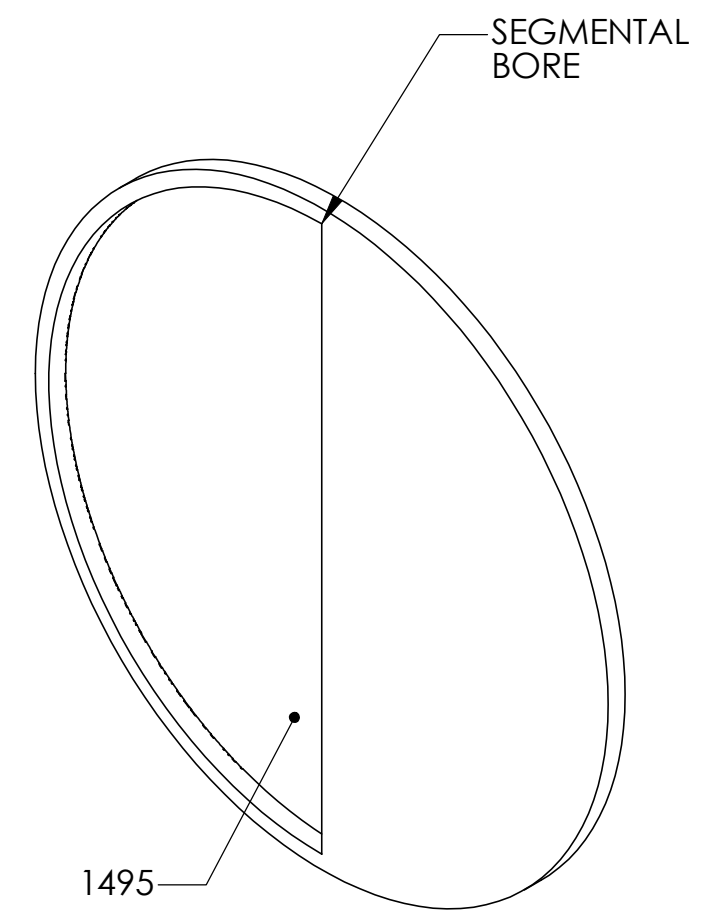
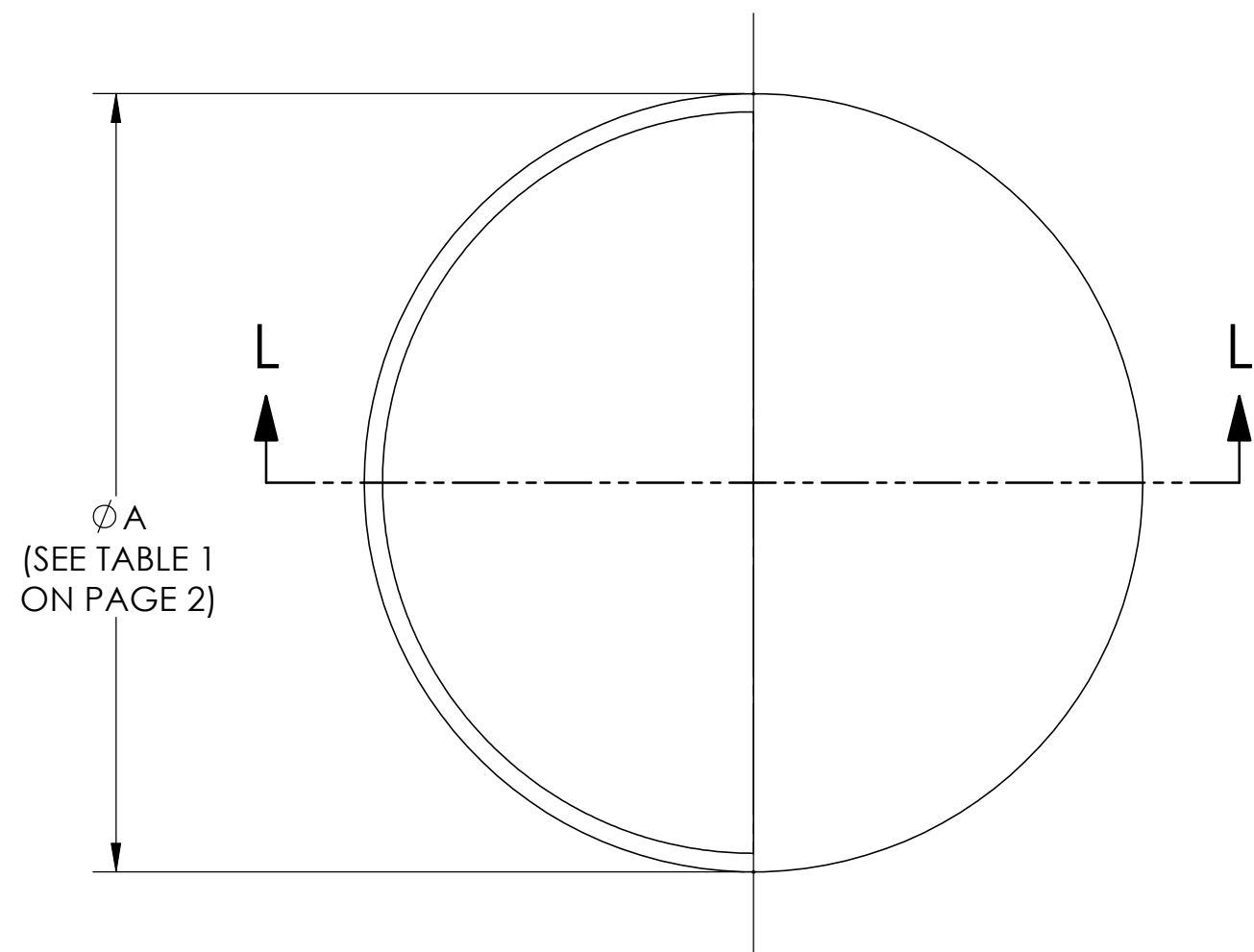
DETAIL K
SCALE 2 : 1



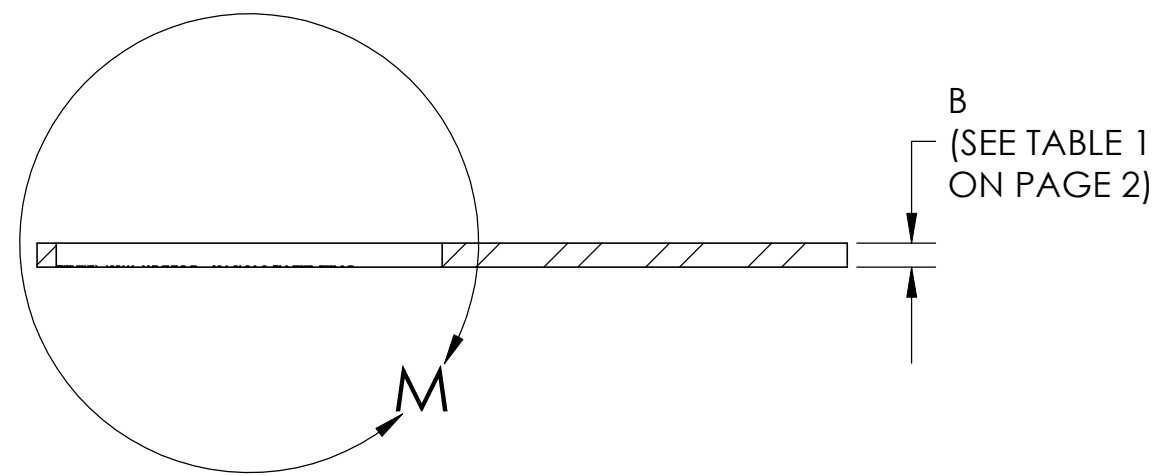
SECTION J-J

ECCENTRIC BORE

| | | | |
|-------------------|----------|------------------------|--|
| ROSEMOUNT® | | | |
| BOULDER, COLORADO | | | |
| SIZE A | FSCM.NO. | DRAWING NO. 01495-1003 | |
| SCALE: 1:1.5 | WT. | SHEET: 7 of 14 | |



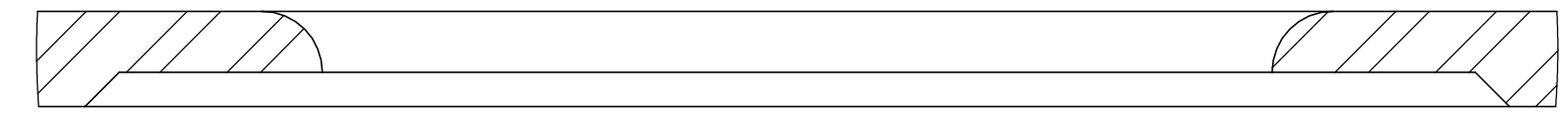
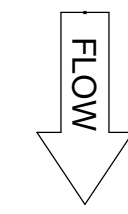
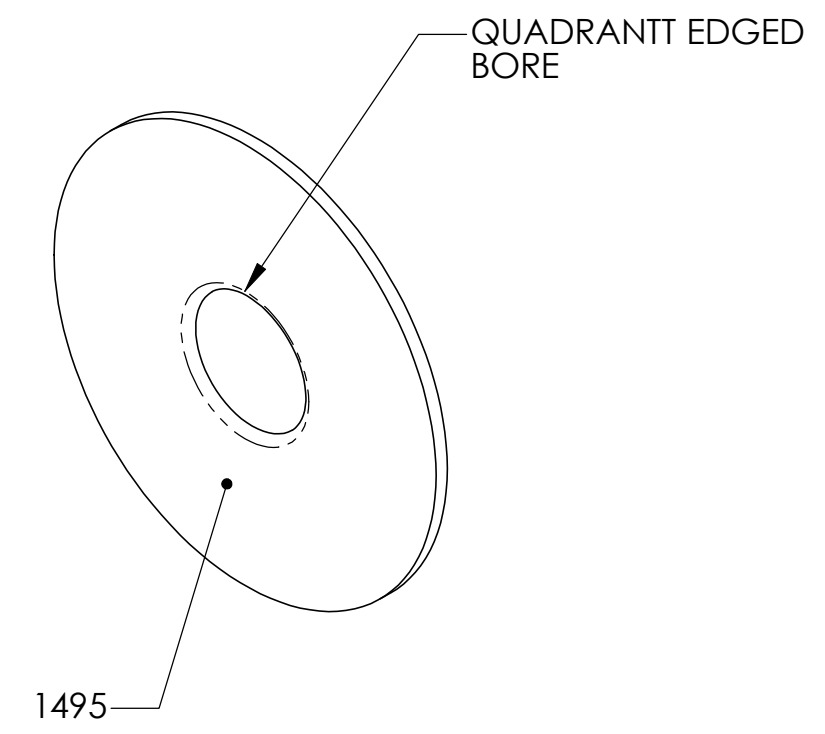
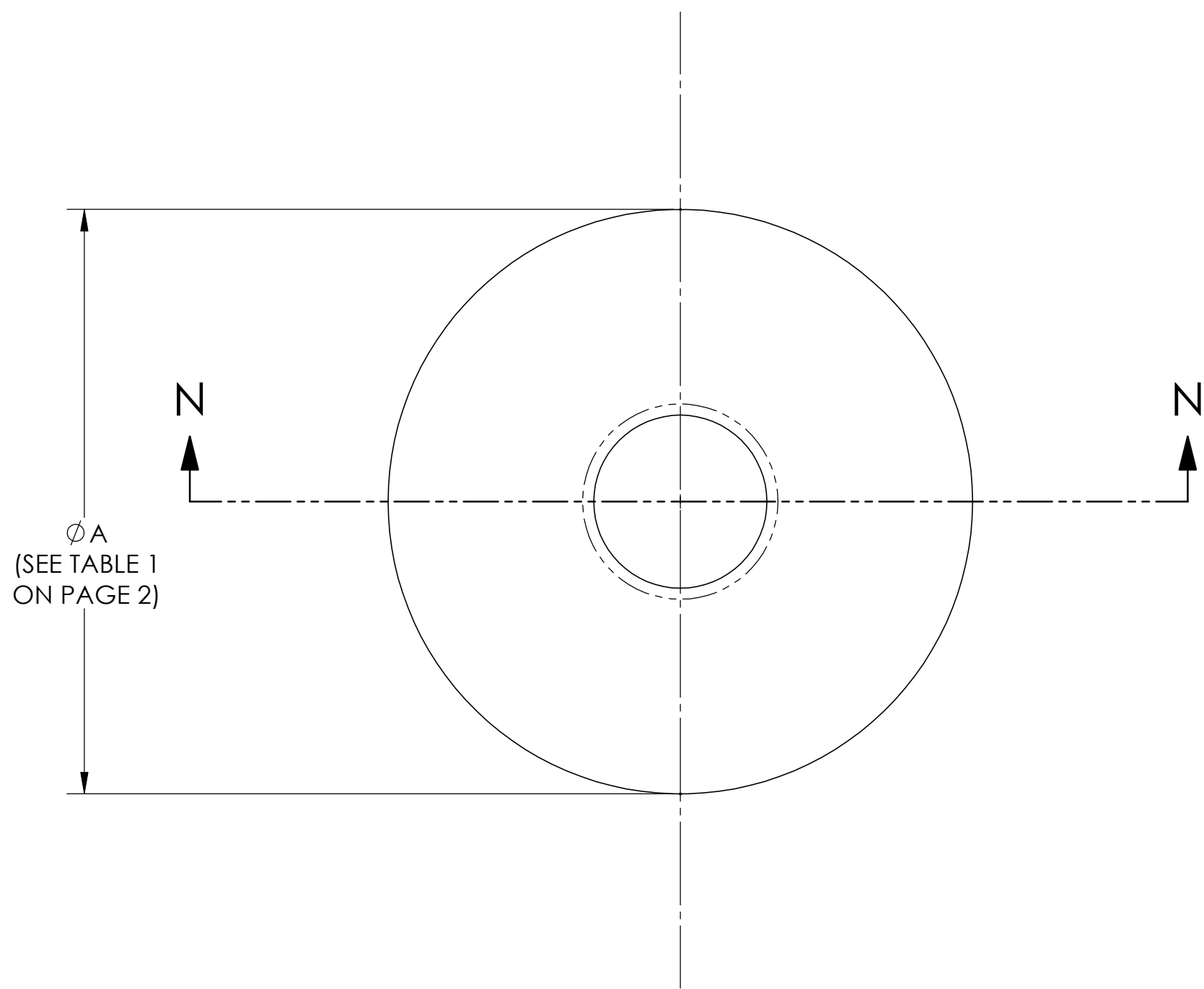
DETAIL M
SCALE 2 : 1



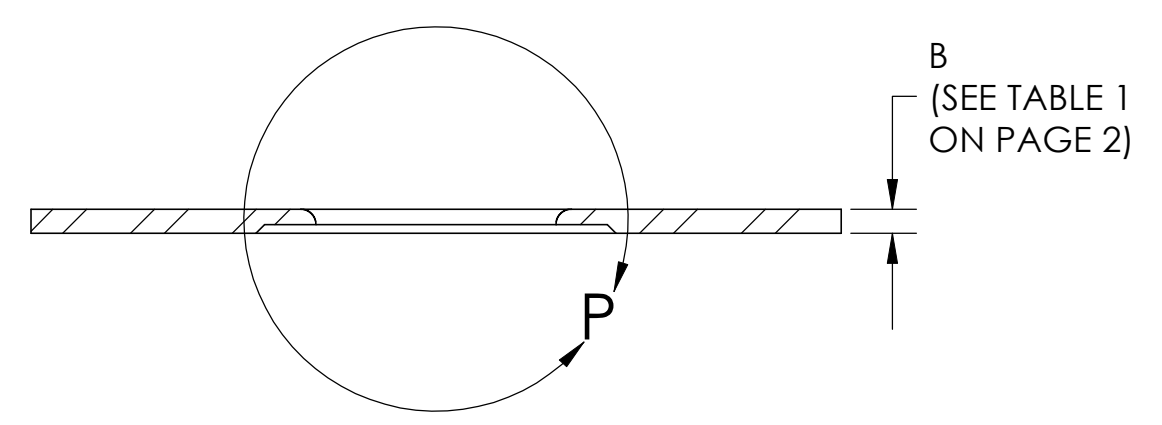
SECTION L-L

SEGMENTAL BORE

| | | | |
|-------------------|----------|------------------------|--|
| ROSEMOUNT® | | | |
| BOULDER, COLORADO | | | |
| SIZE A | FSCM.NO. | DRAWING NO. 01495-1003 | |
| SCALE: 1:2 | WT. | SHEET: 8 of 14 | |



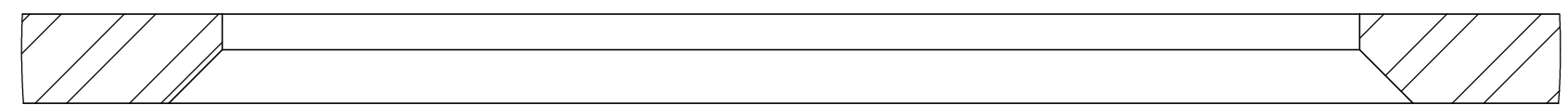
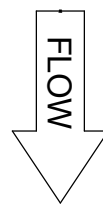
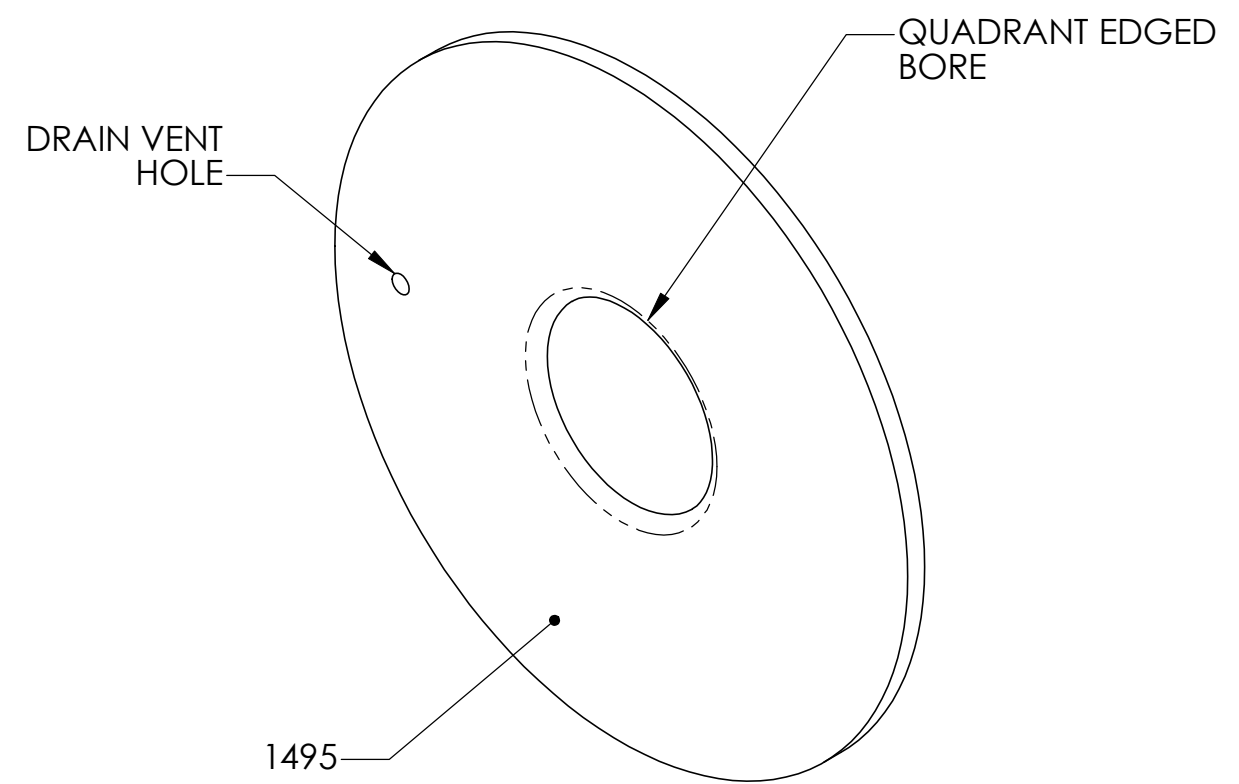
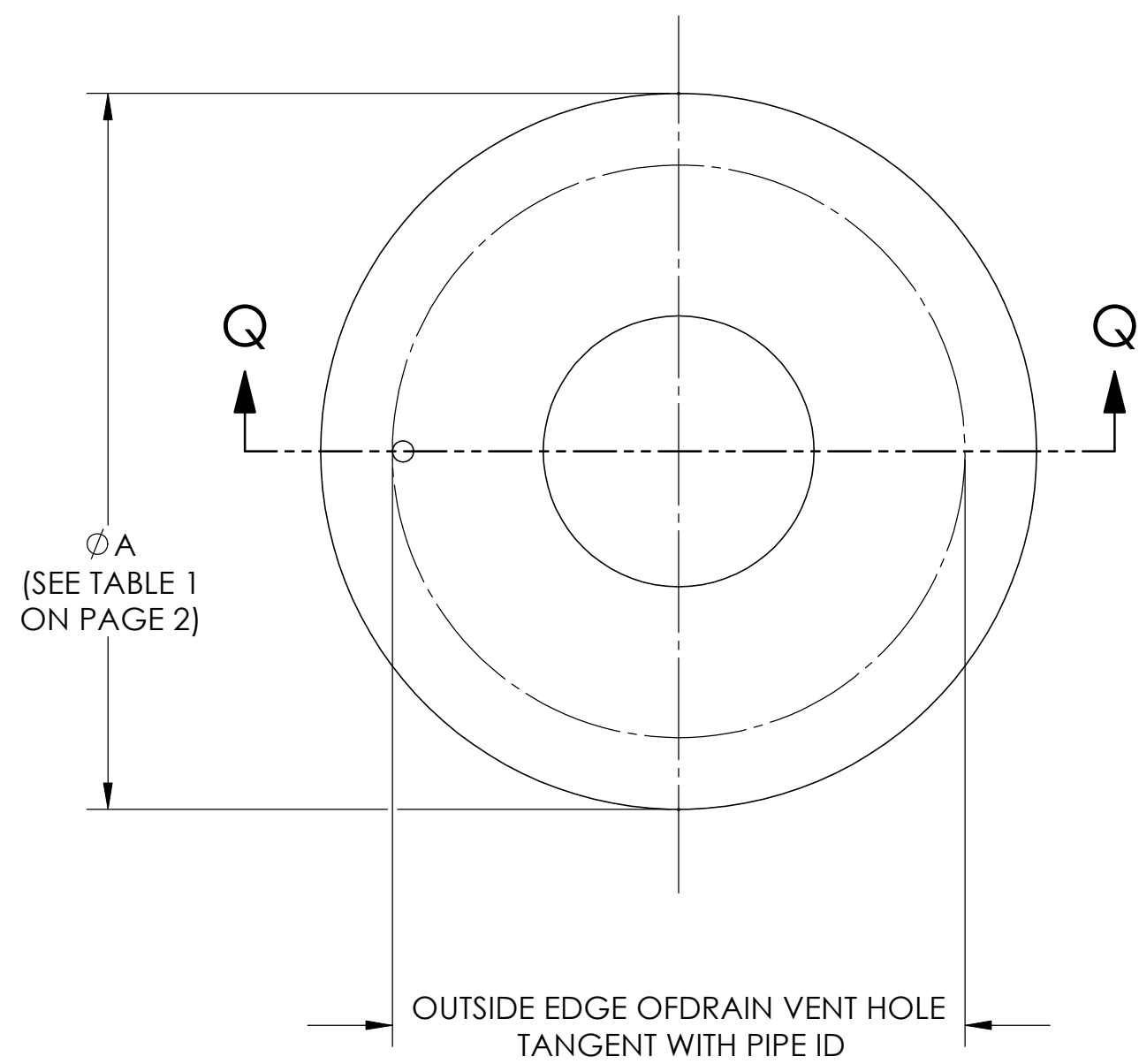
DETAIL P
SCALE 2 : 1



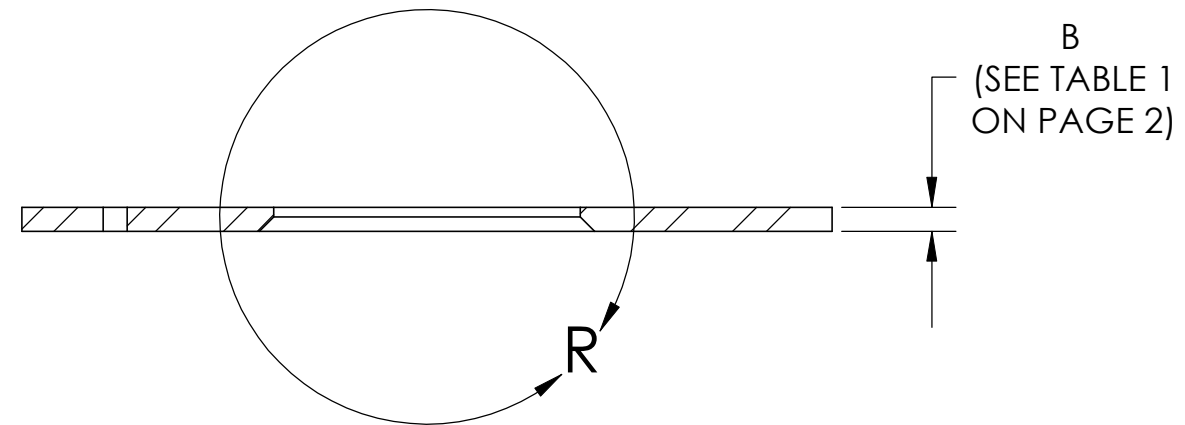
SECTION N-N

QUADRANT EDGE BORE

| | | | |
|-------------------|----------|------------------------|--|
| ROSEMOUNT® | | | |
| BOULDER, COLORADO | | | |
| SIZE A | FSCM.NO. | DRAWING NO. 01495-1003 | |
| SCALE: 1:2 | WT. | SHEET: 9 of 14 | |



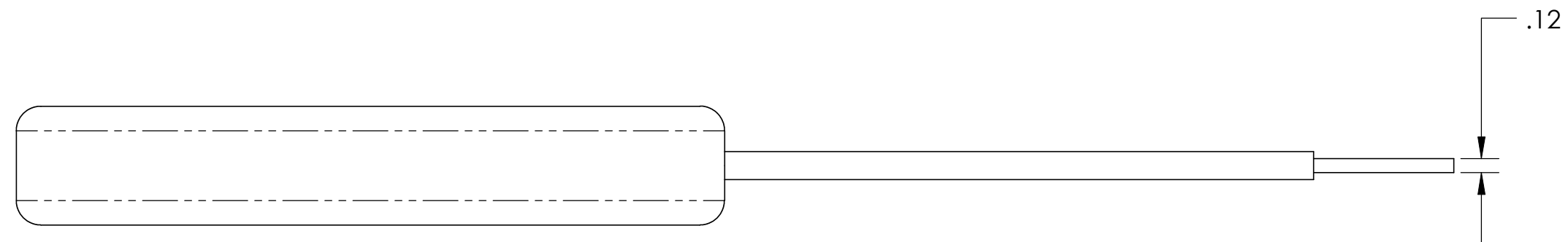
DETAIL R
SCALE 2 : 1



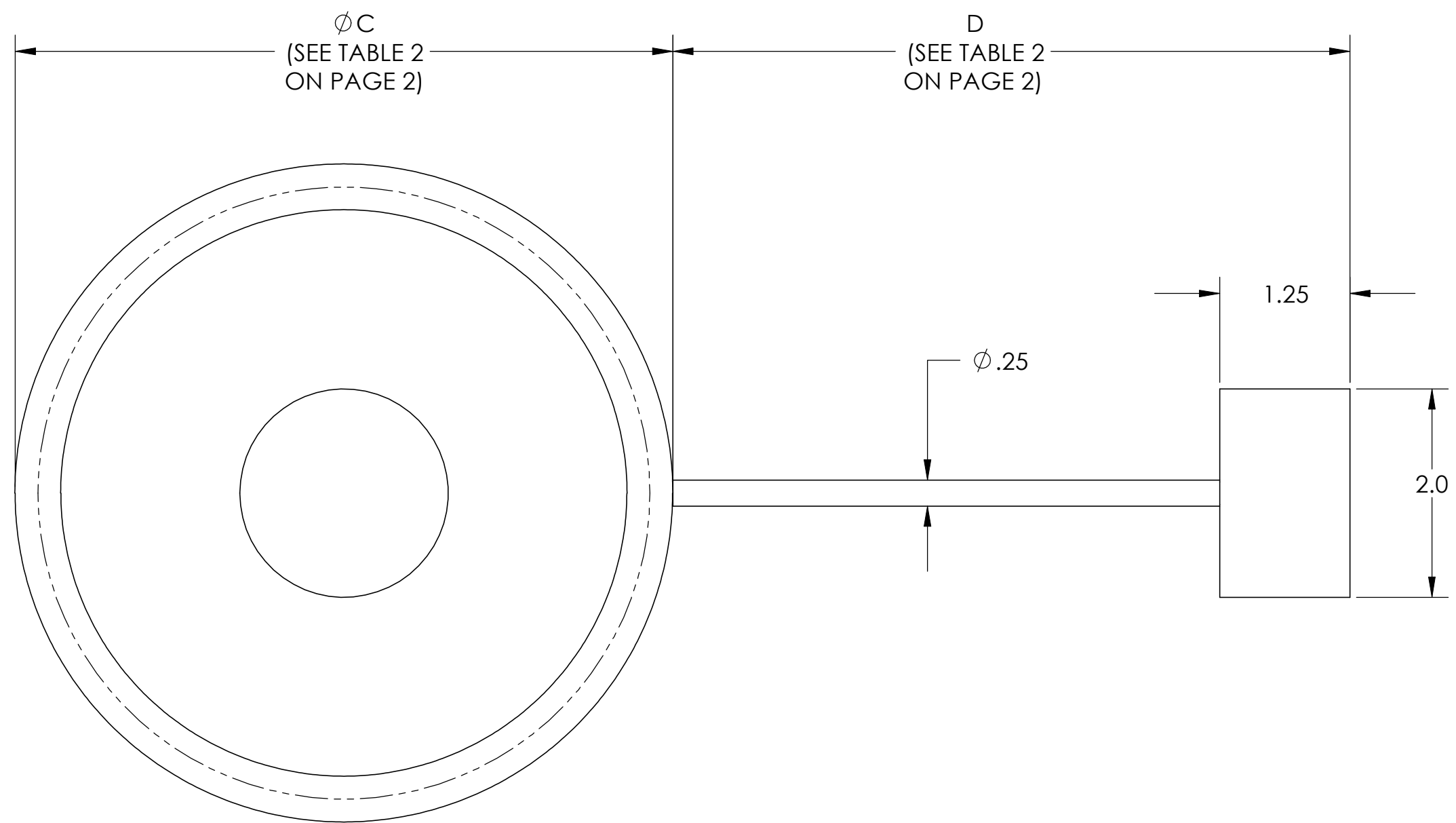
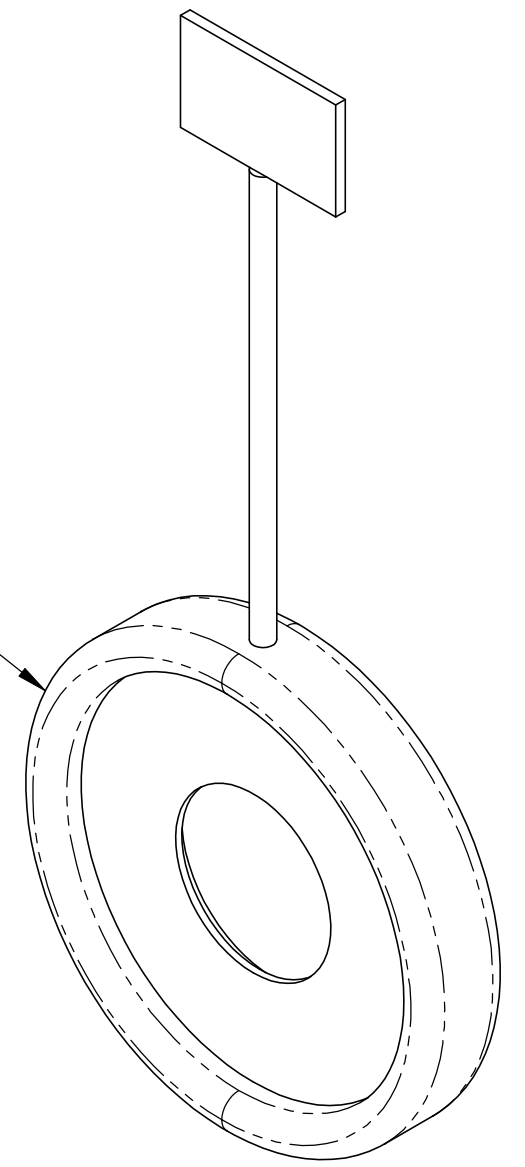
SECTION Q-Q

**QUADRANT EDGE BORE
WITH DRAIN/VENT HOLE**

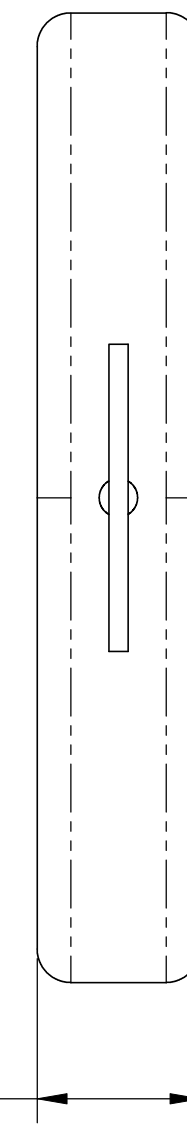
| | | | |
|-------------------|----------|------------------------|--|
| ROSEMOUNT® | | | |
| BOULDER, COLORADO | | | |
| SIZE A | FSCM.NO. | DRAWING NO. 01495-1003 | |
| SCALE: 1:2 | WT. | SHEET: 10 of 14 | |



INTEGRAL
UNIVERSAL
PLATE HOLDER



E
(SEE TABLE 2
ON PAGE 2)



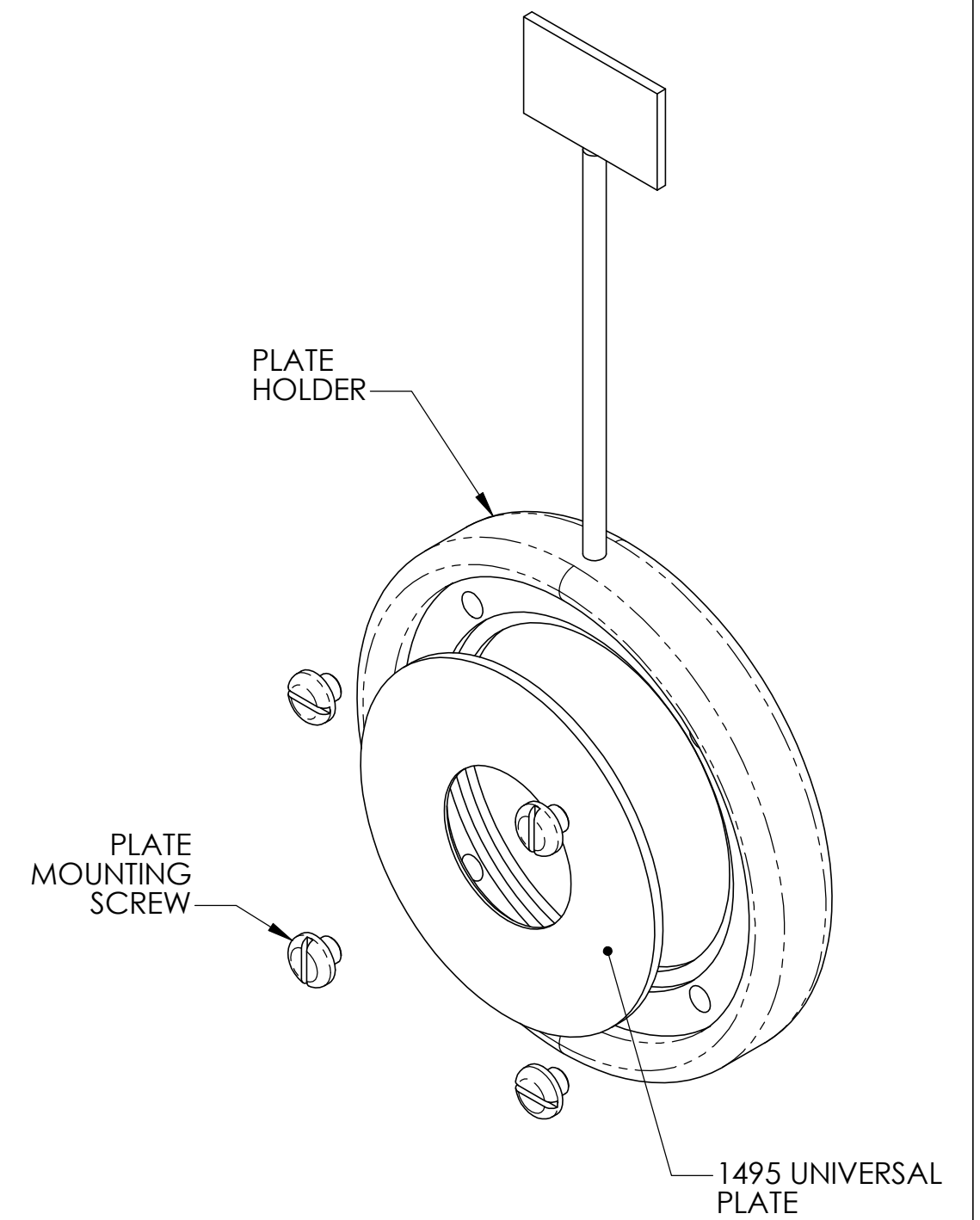
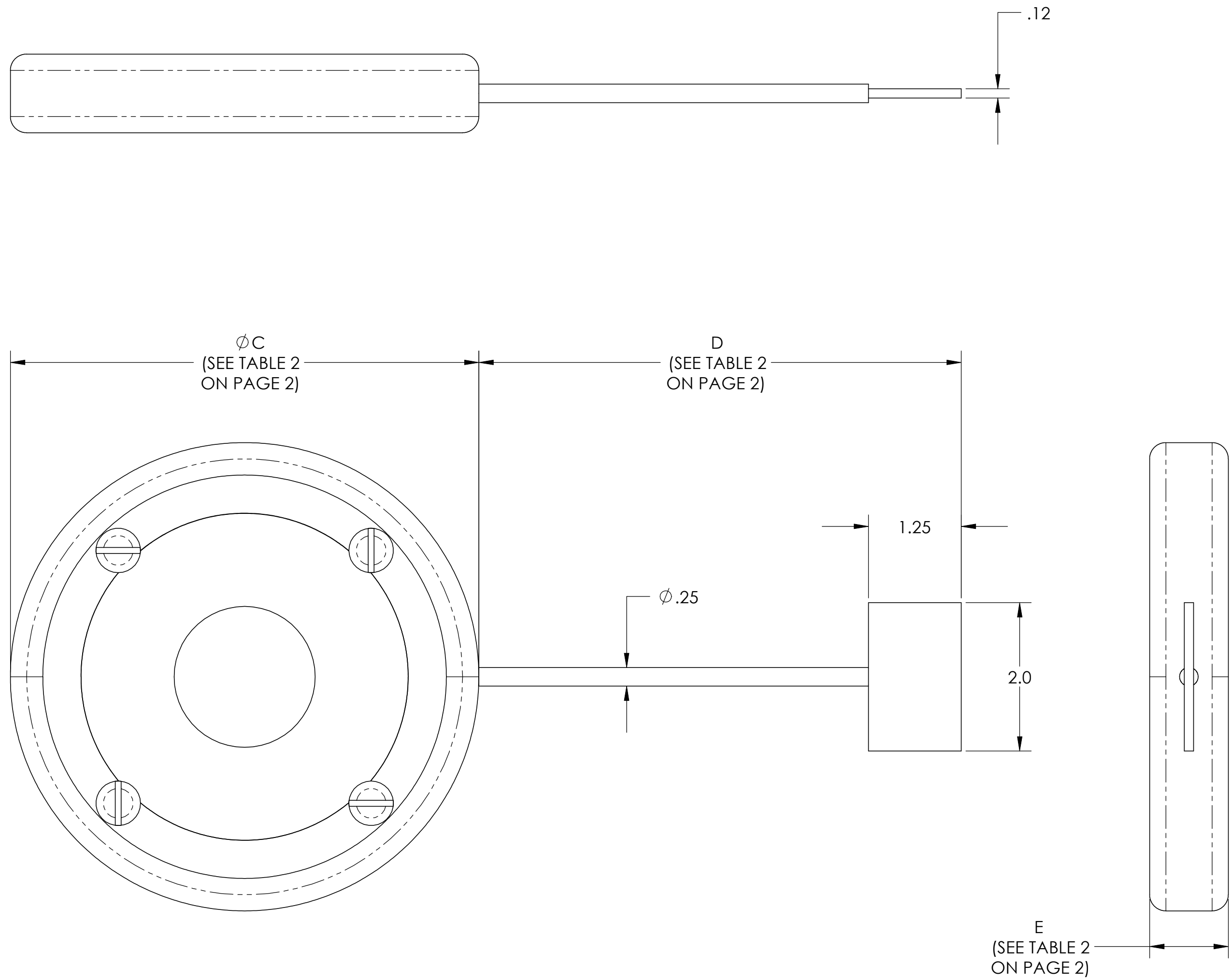
INTEGRAL PLATE HOLDER
(STANDARD FOR SIZES 3" AND UNDER)

ROSEMOUNT[®]

BOULDER, COLORADO

| | | |
|-----------|----------|----------------------------------|
| SIZE A | FSCM.NO. | DRAWING NO. 01495-1003 |
|-----------|----------|----------------------------------|

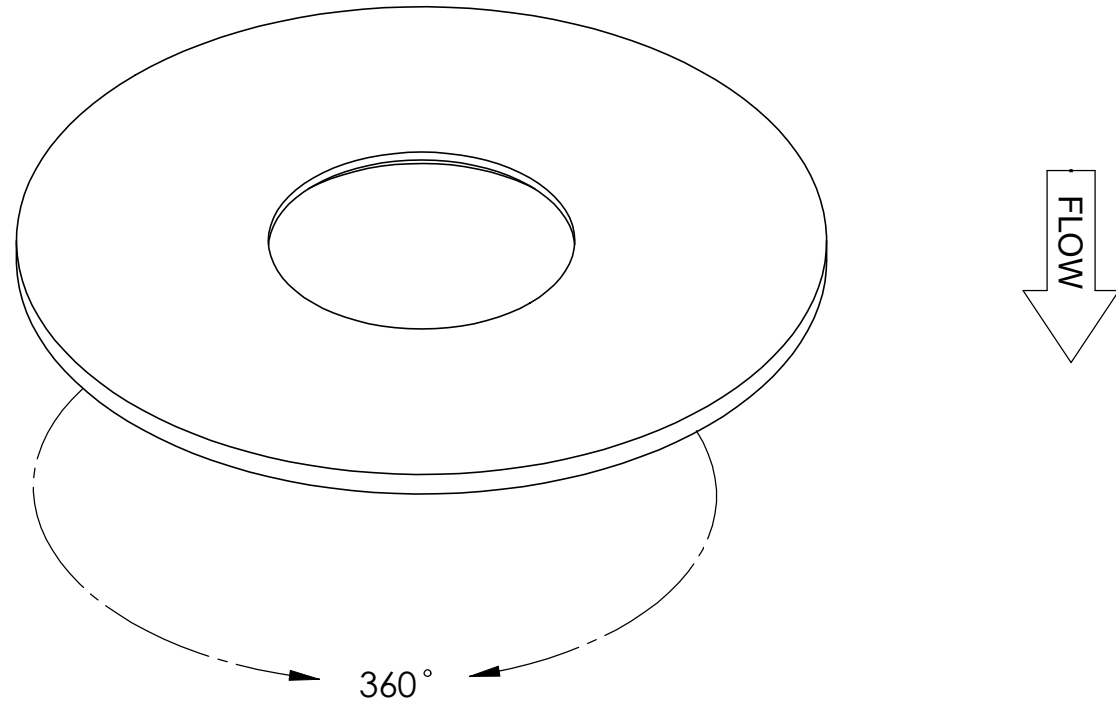
| | | |
|---------------|-----|-----------------|
| SCALE: 1:1.25 | WT. | SHEET: 11 of 14 |
|---------------|-----|-----------------|



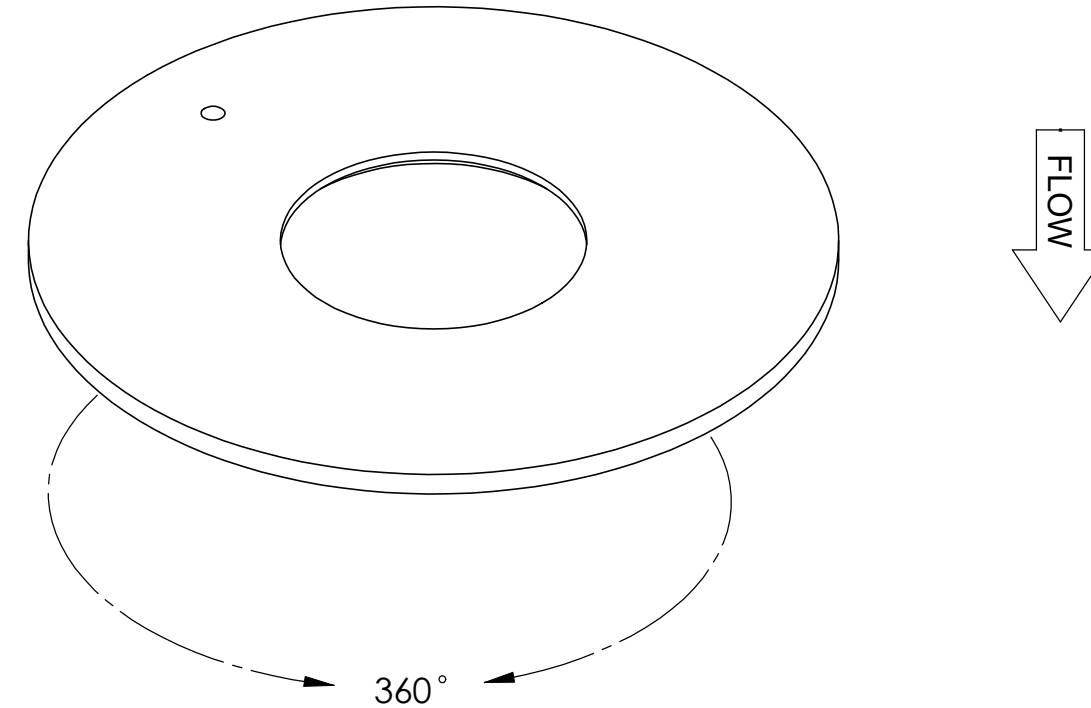
SCREW-TYPE PLATE HOLDER
(STANDARD FOR SIZES 4" AND LARGER)

| | | |
|-------------------|----------|----------------------------------|
| ROSEMOUNT® | | |
| BOULDER, COLORADO | | |
| SIZE A | FSCM.NO. | DRAWING NO. 01495-1003 |
| SCALE: 1:1.25 | WT. | SHEET: 12 of 14 |

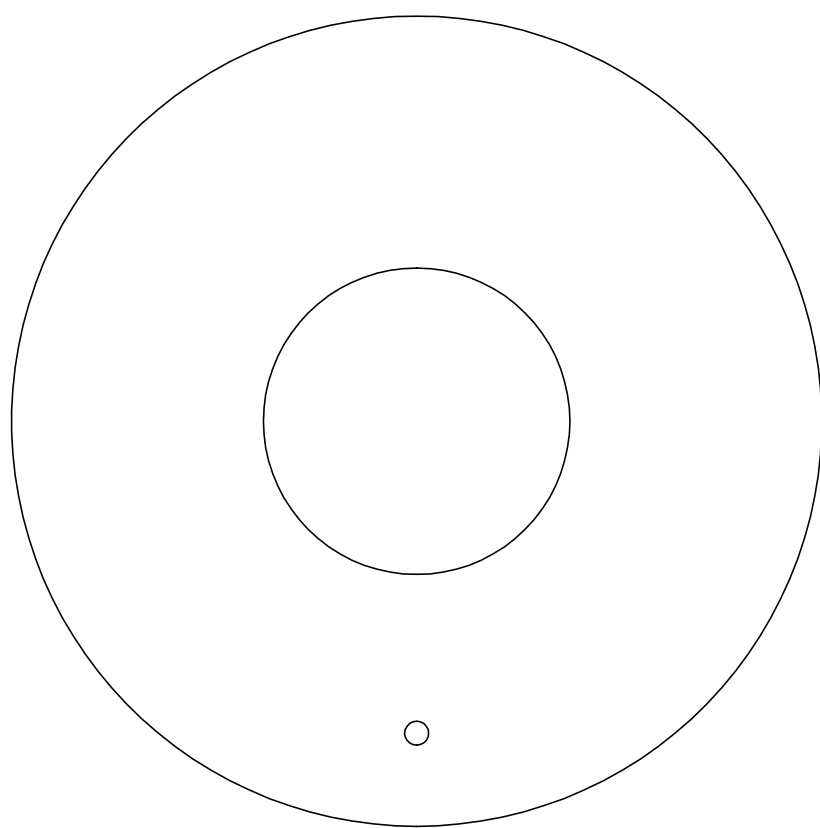
HORIZONTAL / VERTICAL GAS, LIQUID AND STEAM
(RECOMMENDED INSTALLATION)



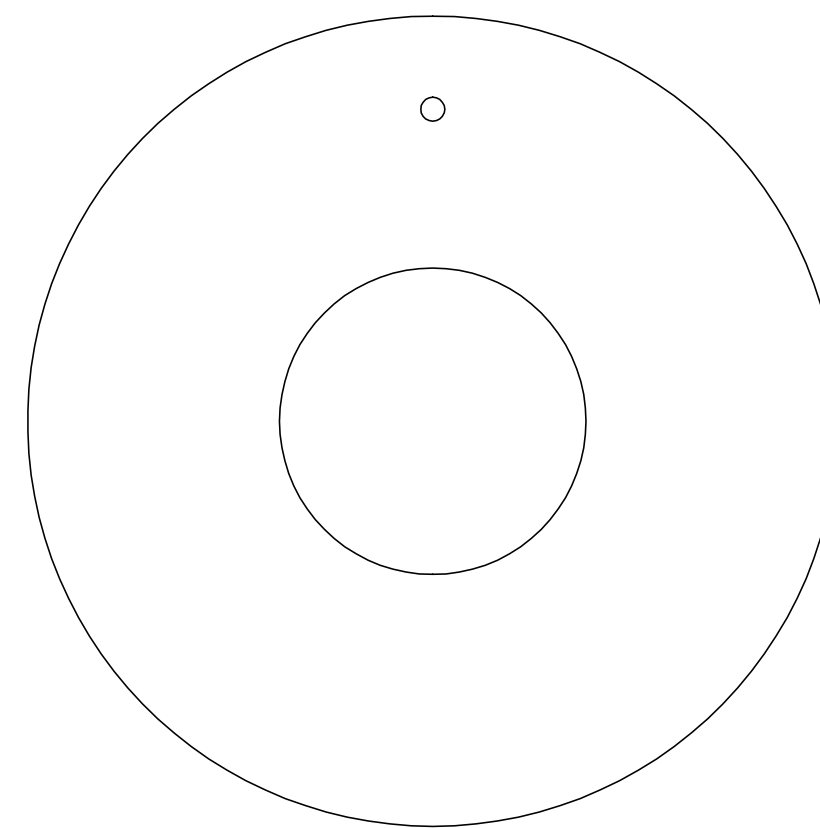
VERTICAL WITH DRAIN VENT HOLE
GAS, LIQUID AND STEAM
(RECOMMENDED INSTALLATION)



HORIZONTAL WITH DRAIN VENT HOLE
GAS AND STEAM
(RECOMMENDED INSTALLATION)

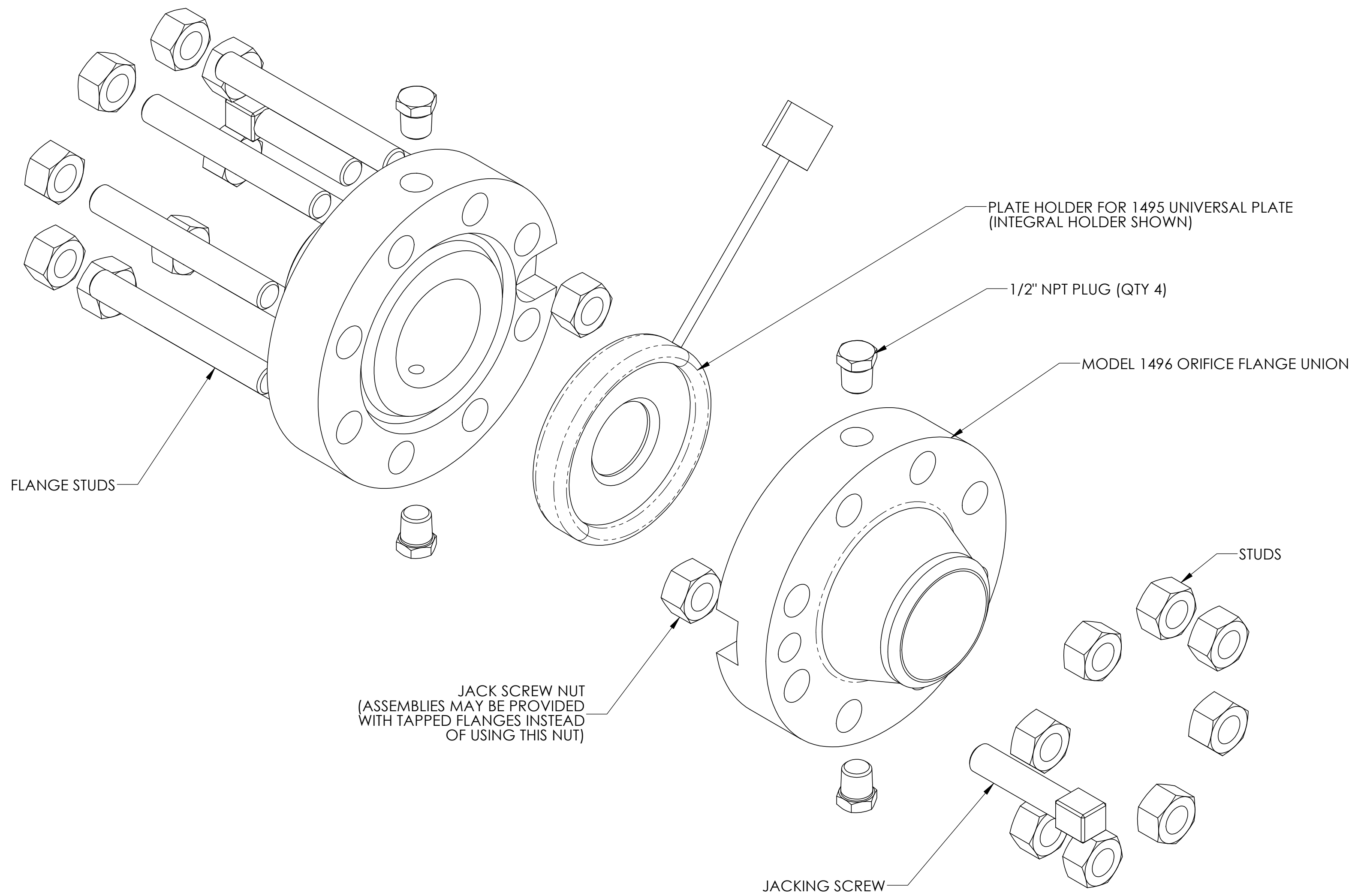


HORIZONTAL WITH DRAIN VENT HOLE
LIQUID
(RECOMMENDED INSTALLATION)



ORIENTATION VIEW

| | | | |
|-------------------|----------|-----------------|------------|
| ROSEMOUNT® | | | |
| BOULDER, COLORADO | | | |
| SIZE A | FSCM.NO. | DRAWING NO. | 01495-1003 |
| SCALE: 1:2.5 | WT. | SHEET: 13 of 14 | |



EXPLODED VIEW OF TYPICAL INSTALLATION

NOTE: ALL ITEMS (EXCEPT ORIFICE PLATE/HOLDER) ARE SHOWN FOR REFERENCE ONLY AND ARE NOT INCLUDED WITH THE 1495 MODEL

| | | |
|-------------------|----------|----------------------------------|
| ROSEMOUNT® | | |
| BOULDER, COLORADO | | |
| SIZE A | FSCM.NO. | DRAWING NO. 01495-1003 |
| SCALE: 1:2 | WT. | SHEET: 14 of 14 |